

Cisco.300-425.v2023-11-01.q109

Exam Code:	300-425
Exam Name:	Designing Cisco Enterprise Wireless Networks
Certification Provider:	Cisco
Free Question Number:	109
Version:	v2023-11-01
# of views:	739
# of Questions views:	1090
https://www.freeqas.com/qa/Cisco/300-425/Cisco.300-425.v2023-11-01.q109.html	

NEW QUESTION: 1

Which statement about the 9800 Series Wireless Controller mobility tunnel on a Cisco Catalyst 9800 controller is true?

- A. It is an IPsec tunnel with control path only.
- B. It is a CAPWAP tunnel with data path only.
- C. It is a CAPWAP tunnel with control path and data path.
- D. It is an IPsec tunnel with control path and data path.

Answer: C (LEAVE A REPLY)

The Cisco Catalyst 9800 Series Wireless Controller mobility tunnel is a CAPWAP tunnel with control path (UDP 16666) and data path (UDP 16667). The control path is DTLS encrypted by default. Data path DTLS can be enabled when you add the mobility peer.

https://www.cisco.com/c/en/us/td/docs/wireless/controller/9800/config-guide/b_wl_16_10_cg/mobility.html

NEW QUESTION: 2

An engineer has designed an anchor redundancy for guest clients connecting to SSID with auto-anchor configured. After adding a second Anchor WLC under the SSID mobility anchor list, clients are load-balanced between existing and new anchors instead of having one anchor as active and the other one as standby. Which feature should be included in the design that will be configured on the WLC running 8.1 or above to ensure anchor redundancy?

- A. Auto-Anchor Foreign Mapping
- B. 802.11r
- C. AP groups
- D. Guest Anchor Priority

Answer: D (LEAVE A REPLY)

NEW QUESTION: 3

A wireless engineer is hired to design a network for a technology company. The company campus has four buildings and a warehouse with access points that provide full wireless coverage as well as a pair of WLCs located in the core of the network. Which type of wireless architecture is being used?

- A. unified deployment

- B. autonomous deployment
- C. centralized deployment
- D. distributed deployment

Answer: (SHOW ANSWER)

Centralized – Works across APs and WLCs in the same Mobility group

NEW QUESTION: 4

An engineer must ensure that the new wireless LAN deployment can support seamless roaming between access points using a standard based on an amendment to the 802.11 protocol. Which protocol must the engineer select?

- A. 802.11i
- B. 802.11ac
- C. 802.11r
- D. 802.11e

Answer: C (LEAVE A REPLY)

The 802.11r Fast Transition (FT) Roaming is an amendment to the 802.11 IEEE standards.

NEW QUESTION: 5

A wireless engineer is designing a wireless network to support real-time applications over wireless. Which IEEE protocol must the engineer enable on the WLC so that the number of packets that are exchanged between an access point and client are reduced and fast roaming occurs?

- A. 802.11w
- B. 802.11r
- C. 802.11i
- D. 802.11k

Answer: (SHOW ANSWER)

Explanation/Reference:

NEW QUESTION: 6

A high-density wireless network is designed. Which Cisco WLC configuration setting must be incorporated in the design to encourage clients to use the 5 GHz spectrum?

- A. Band Select
- B. RRM
- C. Cisco Centralized Key Management
- D. load balancing

Answer: (SHOW ANSWER)

Band Select will impact the initial scan, steering clients towards 5 GHz

NEW QUESTION: 7

The wireless team must configure a new voice SSID for optimized roaming across multiple WLCs with Cisco 8821 phones. Which two settings accomplish this goal? (Choose two.)

- A. Configure AP groups between WLCs.
- B. Configure AVC profile on new SSID.
- C. Configure mobility groups between WLCs.
- D. Use AVC to tag traffic voice traffic as best effort.
- E. Use Cisco Centralized Key Management for authentication.

Answer: D,E (LEAVE A REPLY)

NEW QUESTION: 8

An engineer must ensure that the new wireless LAN deployment can support seamless roaming between access points using a standard based on an amendment to the 802.11 protocol. Which protocol must the engineer select?

- A. 802.11r
- B. 802.11e
- C. 802.11ac
- D. 802.11i

Answer: A (LEAVE A REPLY)

NEW QUESTION: 9

An engineer is trying to determine the most cost-effective way to deploy high availability for a campus enterprise wireless network that currently leverages three wireless LAN controllers. Which architecture should the engineer deploy?

- A. N+1 solution without SSO
- B. N+1 with SSO
- C. N+N solution without SSO
- D. N+N with SSO

Answer: B (LEAVE A REPLY)

<https://www.cisco.com/c/en/us/td/docs/solutions/CVD/Campus/cisco-campus-lan-wlan-design-guide.html>

NEW QUESTION: 10

An engineer must speed up the reauthentication delays that are being experienced on the wireless infrastructure by deploying a key-caching mechanism. Which mechanism must be configured?

- A. PEAP
- B. FT
- C. PMF
- D. GTK-randomization

Answer: B (LEAVE A REPLY)

802.11r, which is the IEEE standard for fast roaming, introduces a new concept of roaming where the initial handshake with the new AP is done even before the client roams to the target AP, which is called Fast Transition (FT). The initial handshake allows the client and APs to do the Pairwise Transient Key (PTK) calculation in advance. These PTK keys are applied to the client and AP after the client does the reassociation request or response exchange with new target AP.

NEW QUESTION: 11

A network engineer is configuring high availability on an access point. What is the maximum number of controllers that can be configured?

- A. 1
- B. 2

C. 3

D. 4

Answer: B (LEAVE A REPLY)

Explanation

The N+1 HA architecture provides redundancy for controllers across geographically separate data centers with low cost of deployment.

So max 2 will be supported on an AP.

NEW QUESTION: 12

Which statement about AP failover priority for access points when configured with priority 1 or 4 is true?

- A. When configured with priority 1, the access point is assigned with the highest priority level and it is marked as critical. This access point fails over before other access points with the lower priority when there is primary controller failure.
- B. When configured with priority 4, the access point is assigned with the highest priority level and it is marked as critical. This access point fails over before other access points with the lower priority when there is primary controller failure.
- C. When configured with priority 4, the access point is assigned with the lowest priority level and it is marked as low. This access point fails over after other access points with the higher priority when there is primary controller failure.
- D. When configured with priority 1, the access point is assigned with the medium priority level and it is marked as medium. This access point fails over after other access points with the higher priority when there is primary controller failure.

Answer: (SHOW ANSWER)

N+1 Redundancy

AP Failover Priority

- Assign priorities to APs: Critical, High, Medium, Low
- Critical priority APs get precedence over all other APs when joining a controller
- In a failover situation, a higher priority AP will be allowed to join ahead of all other APs

NEW QUESTION: 13

A wireless engineer is utilizing the voice readiness tool in Cisco Prime for a customer that wants to deploy Cisco IP phones. Which dBm range is the network inspected against?

- A. -78 to -65 dBm
- B. -72 to -67 dBm
- C. -85 to -65 dBm
- D. -85 to -67 dBm

Answer: (SHOW ANSWER)

Explanation

https://www.cisco.com/c/en/us/td/docs/net_mgmt/prime/infrastructure/34/user/guide/bk_CiscoPrimeInfrastructure_minimum_is_-90_and_maximum_is_-67_for_IP_phone

NEW QUESTION: 14

What causes the most signal attenuation, based on the wireless design tools?

- A. cinder block wall
- B. metal door
- C. glass wall
- D. office window

Answer: B (LEAVE A REPLY)

It is important to note that metal chair legs and desk components will interact with the antenna of the AP and change the pattern of the radiation. Surveying the results of placement decisions with a good tool is necessary

NEW QUESTION: 15

A high-density wireless network is designed. Which Cisco WLC configuration setting must be incorporated in the design to encourage clients to use the 5 GHz spectrum?

- A. Band Select
- B. RRM
- C. Cisco Centralized Key Management
- D. load balancing

Answer: A (LEAVE A REPLY)

Band Select will impact the initial scan, steering clients towards 5 GHz

NEW QUESTION: 16

Two Cisco 5520 wireless LAN controllers are managing all access points throughout the network. The WLCs are in different locations to provide geographical redundancy. A mobility group has been configured on both WLCs and has a UP status on both controllers. The APs in location A are statically configured to use controller A as the primary and controller B as the secondary. If the WLC in location A goes offline, the APs successfully join the WLC in location B, but they do not fail over to their primary configured controller. Which configuration task fixes the issue?

- A. Configure the WLC in location A as primary using the CAPWAP AP Controller IP Address command on all the location A Access points.
- B. Use DHCP Option 43 and specify WLC in location A as primary.
- C. Change the AP Failover Priority to critical.
- D. Enable AP fallback globally on the WLC

Answer: D (LEAVE A REPLY)

Valid 300-425 Dumps shared by PrepPdf.com for Helping Passing 300-425 Exam! PrepPdf.com now offer the **newest 300-425 exam dumps**, the PrepPdf.com 300-425 exam **questions have been updated** and **answers have been corrected** get the **newest**

NEW QUESTION: 17

A network engineer is designing a new wireless network. The network needs to have these characteristics:

- support high client concentration
- optimize client performance
- avoid interference

Which approach should be taken?

- A.** Deploy APs near each other for 5 GHz coverage, and disable the 2.4 GHz radios for some APs.
- B.** Deploy APs near each other for 2.4 GHz coverage, and disable the 5 GHz radios for all APs.
- C.** Deploy APs near each other for 5 GHz coverage, and enable the 2.4 GHz radios for all APs.
- D.** Deploy APs near each other for 2.4 GHz coverage, and disable the 5 GHz radios for some APs.

Answer: D (LEAVE A REPLY)

https://www.cisco.com/c/en/us/td/docs/wireless/controller/technotes/86/b_Cisco_Wireless_LAN_Controller_Configuration_Best_Practices.html

NEW QUESTION: 18

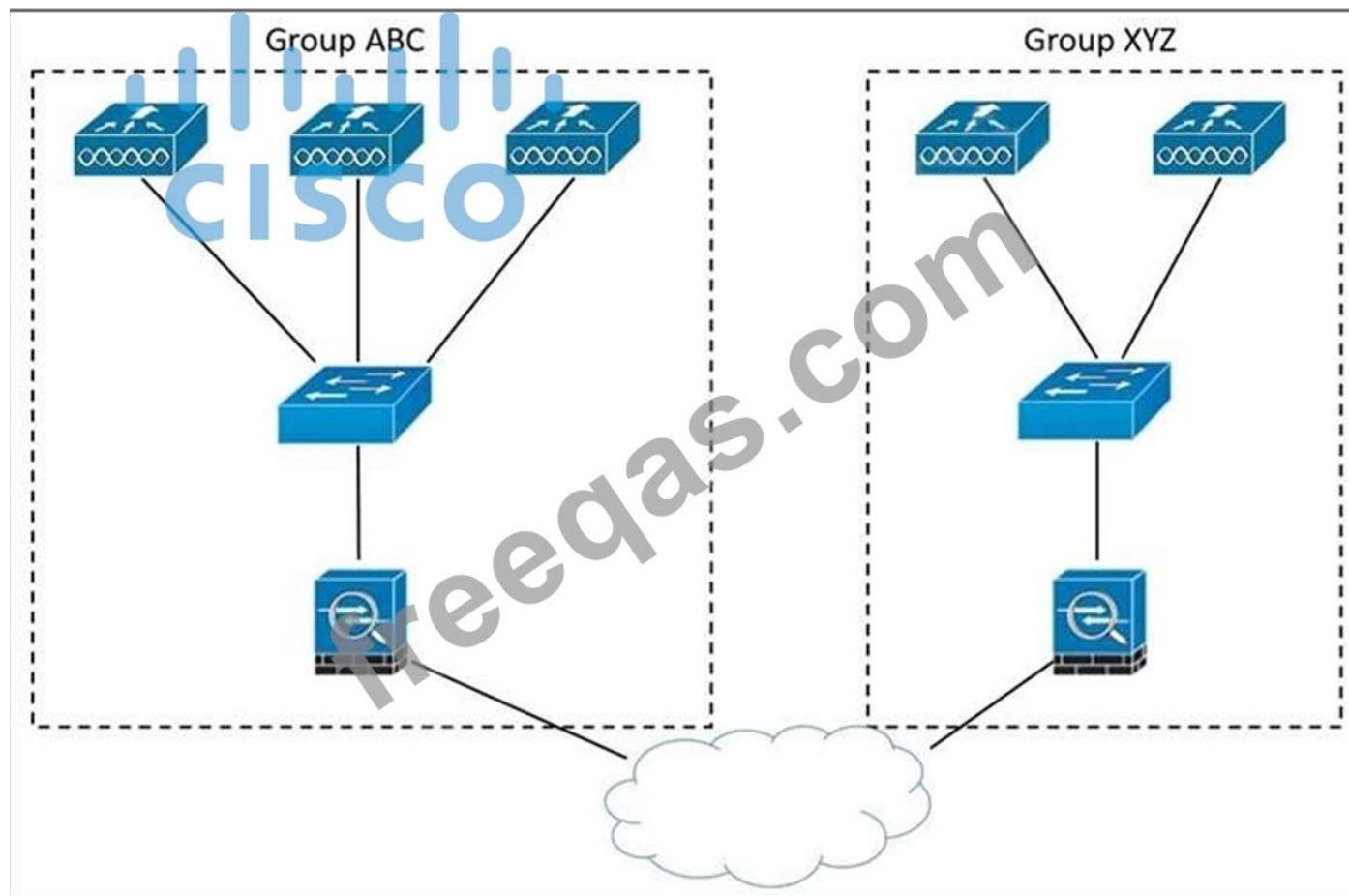
An engineer must repurpose a lab WLC appliance for use in the production environment of the enterprise. After the new WLC is configured with the information of the other WLC, the mobility tunnels are still not coming up. What is the reason?

- A.** The WLC management interfaces are in the same VLAN.
- B.** The hardware platform is incompatible.
- C.** A firewall is blocking UDP port 16667 between the WLCs.
- D.** The mobility groups are different.

Answer: D (LEAVE A REPLY)

NEW QUESTION: 19

Refer to the exhibit.



An enterprise has offices spread around the globe. The APs are connected to different controllers installed in separate datacenters. The IT team wants to allow clients to roam from controllers in group ABC to controllers in group XYZ. Which feature must be incorporated in the design to accomplish this task?

- A. switch peer group
- B. mDNS gateway
- C. workgroup bridge
- D. mobility lists

Answer: D (LEAVE A REPLY)

NEW QUESTION: 20

An engineer is designing a wireless deployment for a university auditorium. Which two features can be used to help deal with the issues introduced by high AP count? (Choose two.)

- A. TSPEC
- B. RXSOP
- C. TPC
- D. LSS
- E. DFS

Answer: C,E (LEAVE A REPLY)

<https://www.cisco.com/c/en/us/support/docs/wireless-mobility/80211/200069-Overview-on-802-11h-Transmit-Power-Cont.html>

NEW QUESTION: 21

An engineer performs a Layer 1 survey by using Metageek chanalyzer only on the current operating channel. Which operating mode is configured for a Cisco CleanAIR AP?

- A. Local
- B. Sniffer
- C. Monitor
- D. SE-connect

Answer: (SHOW ANSWER)

Local Mode

Each Cisco CleanAir-enabled access point radio provides air quality and interference detection reports for the current operating channel only. Local mode does not disrupt client connections. When a hybrid-REAP access point is connected to the controller, its Cisco CleanAir functionality is identical to local mode.

NEW QUESTION: 22

An engineer is performing a predictive wireless design for a medical treatment environment, which requires data and voice services. What is the minimum requirement for the design?

- A. overlapping -72 dBm coverage from two access points
- B. continuous -67 dBm coverage from one access point
- C. continuous -72 dBm coverage from one access point
- D. overlapping -67 dBm coverage from two access points

Answer: B (LEAVE A REPLY)

Explanation

✔ The TX power of 17 dBi is 50mW. What you see on your laptop of a -20 dBm is a good signal. Cisco's recommendation for data is a max of -72 dBm and for voice it is -65dBm. You will notice this when you start walking away from your AP. So if you are planning on adding another ap, you would want your coverage to be bordering either -72 dBm or -65 dBm.

So -67dBm covers both Data & Voice with a single AP

NEW QUESTION: 23

A rapidly expanding company has tasked their network engineer with wirelessly connecting a new cubicle area with Cisco workgroup bridges until the wired network is complete. Each of 42 new users has a computer and VoIP phone. How many APs for workgroup bridging must be ordered to keep cost at a minimum while connecting all devices?

- A. 4
- B. 5
- C. 6
- D. 7

Answer: A (LEAVE A REPLY)

Explanation

• Number of 802.11b devices per AP: Cisco recommends that you have no more than 15 to 25

So, each AP will have 25 clients. Minimum 4 APs are sufficient.

NEW QUESTION: 24

Guest anchoring is configured for a newly created SSID for your company. It has been noticed that the mobility tunnels are not up, and that MPING fails from your foreign WLC to the anchor WLC. What is the reason that it is failing?

- A. A rule is needed at the firewall to allow UDP port 16666 for communication to work.
- B. A rule is needed at the firewall to allow UDP port 97 for communication to work.
- C. A rule is needed at the firewall to allow TCP port 97 for communication to work.
- D. A rule is needed at the firewall to allow TCP port 16666 for communication to work.

Answer: A (LEAVE A REPLY)

- UDP 16666 for tunnel control traffic
- IP Protocol 97 for user data traffic
- UDP 161 and 162 for SNMP

NEW QUESTION: 25

Which non-Wi-Fi interferer can be identified by Metageek Chanalyzer?

- A. PDAs
- B. jammers
- C. smartphones
- D. printers

Answer: B (LEAVE A REPLY)

<https://www.metageek.com/training/resources/wifi-and-non-wifi-interference>

A jamming transmitter creates constant noise across each frequency. These are used in a denial-of-service attack, and will prevent other wireless technologies from fully operating.

NEW QUESTION: 26

An engineer is conducting a Layer 2 site survey. Which type of client must the engineer match to the survey?

- A. best client available
- B. phone client
- C. normal client
- D. worst client available

Answer: D (LEAVE A REPLY)

<https://www.cisco.com/c/en/us/support/docs/wireless/5500-series-wireless-controllers/116057-site-survey-guidelines-wlan-00.html>

NEW QUESTION: 27

An engineer is designing an outdoor mesh network to cover several sports fields. The core of the network is located in a building at the entrance of a sports complex. Which type of antenna should be used with the RAP for backhaul connectivity?

- A. 5 GHz. 8-dBi omnidirectional antenna
- B. 2.4 GHz. 8-dBi patch antenna
- C. 2.4 GHz. 14-dBi omnidirectional antenna
- D. 5 GHz. 14-dBi patch antenna

Answer: (SHOW ANSWER)

The AP1524PS includes three radios: a 2.4 -GHz, a 5.8- GHz, and a 4.9-GHz radio. The 2.4-GHz radio is for client access (non- public safety traffic) and the 4.9-GHz radio is for public safety client access traffic only. The 5.8-GHz radio can be used as the backhaul for both public safety and non-public safety traffic.

https://www.cisco.com/c/en/us/td/docs/wireless/controller/7-6/configuration-guide/b_cg76/ b_cg76_chapter_010000001.html

NEW QUESTION: 28

An engineer has deployed a group of APs in an auditorium and notices that the APs are showing high cochannel interference. Which profile can be used to adjust the parameters for these high-density APs?

- A. RF profile
- B. QoS profile
- C. ISE profile
- D. AVC profile

Answer: (SHOW ANSWER)

NEW QUESTION: 29

A wireless engineer is utilizing the voice readiness tool in Cisco Prime for a customer that wants to deploy Cisco IP phones. Which dBm range is the network inspected against?

- A. -78 to -65 dBm
- B. -72 to -67 dBm
- C. -85 to -65 dBm
- D. -85 to -67 dBm

Answer: D (LEAVE A REPLY)

Explanation

Default voice minimum RSSI is -75 dBm. but cisco recommend to get RSSI better than -67 dBm.

https://www.cisco.com/c/en/us/td/docs/net_mgmt/prime/infrastructure/34/user/guide/bk_CiscoPrimeInfrastructur minimum is -90 and maximum is -67 for IP phone

NEW QUESTION: 30

An engineer is designing a new wireless network. The network needs to meet these requirements:

- support a high wireless client concentration
- support data over wireless
- support voice over wireless
- avoid interference

Which design approach should be taken?

- A. 5 GHz frequency band with channel bonding, to support 40 MHz channels
- B. 5 GHz frequency band without channel bonding, to support 20 MHz channels
- C. 5 GHz frequency band with channel bonding, to support 80 MHz channels.
- D. 2.4 GHz frequency band without channel bonding, to support 20 MHz channels

Answer: D (LEAVE A REPLY)

Explanation

<https://www.cisco.com/c/en/us/support/docs/wireless/4400-series-wireless-lan-controllers/108184-config-802-11>

NEW QUESTION: 31

A network engineer needs to create a wireless design wired IP surveillance cameras in the parking lot through a mesh AP. To which operate mode of the AP should the cameras connect?

- A. Local
- B. MAP
- C. RAP
- D. Flexconnect

Answer: C (LEAVE A REPLY)

Valid 300-425 Dumps shared by PrepPdf.com for Helping Passing 300-425 Exam! PrepPdf.com now offer the **newest 300-425 exam dumps**, the PrepPdf.com 300-425 exam **questions have been updated** and **answers have been corrected** get the **newest** PrepPdf.com 300-425 dumps with Test Engine here: <https://www.preppdf.com/Cisco/300-425-prepaway-exam-dumps.html> (239 Q&As Dumps, **40%OFF Special Discount: Exam-Tests**)

NEW QUESTION: 32

Routers R1 and R2 are configured for HSRP as shown below:

Router R1:

```
interface ethernet 0
ip address 20.6.2.1 255.255.255.0
standby 35 ip 20.6.2.21
standby 35 priority 100
interface ethernet 1
ip address 20.6.1.1.2 255.255.255.0
standby 34 ip 20.6.1.21
```

Router R2:

```
interface ethernet 0
ip address 20.6.2.2 255.255.255.0
standby 35 ip 20.6.2.21
interface ethernet 1
ip address 20.6.1.1.1 255.255.255.0
standby 34 ip 20.6.1.21
standby 34 priority 100
```

You have configured the routers R1 & R2 with HSRP. While debugging router R2 you notice very frequent HSRP group state transitions.

What is the most likely cause of this?

- A. physical layer issues
- B. use of non-default HSRP timers
- C. no spanning tree loops
- D. failure to set the command standby 35 preempt

Answer: (SHOW ANSWER)

NEW QUESTION: 33

An engineer must ensure that the new wireless LAN deployment can support seamless roaming between access points using a standard based on an amendment to the 802.11 protocol. Which protocol must the engineer select?

- A. 802.11i
- B. 802.11ac
- C. 802.11r
- D. 802.11e

Answer: C (LEAVE A REPLY)

Section: Mobility

NEW QUESTION: 34

A technician connects a Cisco Aironet 3700 Series access point to a switch and realizes that the AP is coming up with 3x3 MIMO. Which reason explains this behavior?

- A. A redundant power supply is unavailable on the switch.
- B. The switch is 802.3af capable.
- C. The AP is getting power from a power injector.
- D. The switch is PoE+ capable.

Answer: B (LEAVE A REPLY)

The AP 3700 with integrated 802.11ac wave-1 radio is designed to run from Power over Ethernet (PoE) sources, local power, or via mid-span or power injector. If the AP 3700 is powered by PoE and the source is 802.3af (15.4 Watts) the AP will come up and fully function in a 3x3:3 mode, for enhanced performance additional power sources such as 802.3at, enhanced PoE, Cisco PoE Injector-4, or local power may be used. With additional power (greater than 15.4W) supplied, the 3700 will shift into the 4x4:3 mode.

The big difference between 802.3af (PoE) and 802.3at (PoE+) is the amount of power delivered over each standard.

NEW QUESTION: 35

An engineer has configured guest anchoring for a newly created SSID however, the mobility tunnels are not up, and EPING is failing from the foreign WLC to the anchor WLC. Which traffic flow must be allowed at the firewall to enable the communication?

- A. UDP port 16666
- B. IP protocol 97
- C. UDP port 97
- D. TCP port 97

Answer: (SHOW ANSWER)

Section: Mobility

NEW QUESTION: 36

Which statement about creating a mobility group is true, excluding mobility anchors?

- A. Each WLC must use the same mobility name and be defined as a peer in each other's static mobility members list.
- B. If WLCs with HA SSO are deployed, each WLC in the WLC HA pair considered separately as a mobility peer.
- C. The WLCs do not have to be of the same model or type to be a member of a mobility group, however each member should be running different software versions.

D. A mobility groups does not require all WLCs in the group to use the same virtual IP address.

Answer: ([SHOW ANSWER](#))

- The HA pair of AireOS WLCs should be considered as separated WLCs with the same exact configuration

NEW QUESTION: 37

An engineer must perform an assessment of a customer LAN for a future IEEE 802.11ac Wave 2 wireless deployment. All access switches are Fast Ethernet-capable only, and the wired infrastructure between existing APs and access switches is based on the CAT 6A standard

Which two actions provide maximum support of Osco 3800 Series access points? (Choose two)

- A. Ensure that cable distances between access switches and APs are not longer than 55 meters.
- B. Ensure that cable distances between access switches and APs are not longer than 100 meters
- C. Replace the existing wiring infrastructure with the CAT-7E wiring standard.
- D. Replace the existing switches with mGig switches.
- E. Replace the existing switches with gigabit switches with 10 G uplinks.

Answer: ([SHOW ANSWER](#))

NEW QUESTION: 38

A network engineer is working on a design for a wireless network that must support data, voice, and location services. To support these services, which access point placement must the engineer use?

- A. corner only
- B. perimeter and corner
- C. perimeter only
- D. indoor and outdoor

Answer: B ([LEAVE A REPLY](#))

In a location-ready design, it is important to ensure that access points are not solely clustered in the interior and toward the center of floors. Rather, perimeter access points should complement access points located within floor interior areas. In addition, access points should be placed in each of the four corners of the floor, and at any other corners that are encountered along the floor perimeter. These perimeter access points play a vital role in ensuring good location fidelity within the areas they encircle, and in some cases may participate in the provisioning of general voice or data coverage as well.

NEW QUESTION: 39

What is the recommended cell overlap when designing a wireless network for Cisco Hyperlocation?

- A. 20%
- B. 30%
- C. 40%
- D. 50%

Answer: ([SHOW ANSWER](#))

Section: Wired and Wireless Infrastructure

NEW QUESTION: 40

A wireless deployment in a high-density environment is being used by vendors to process credit card payment transactions via handheld mobile scanners. The scanners are having problems roaming between access points in the environment. Which feature on the wireless controller should have been incorporated in the design?

- A. RX-SOP
- B. 802.11w
- C. AP Heartbeat Timeout
- D. Application Visibility Control

Answer: A (LEAVE A REPLY)

Section: Wired and Wireless Infrastructure

NEW QUESTION: 41

An engineer at a global enterprise organization must ensure that a mesh deployment has the highest number of channels available to the backhaul, regardless of region deployed, which design meets this requirement?

- A. one controller per continent
- B. one controller per country code
- C. redundant controllers in the most restrictive regulatory domain
- D. redundant controllers in the least restrictive regulatory domain

Answer: B (LEAVE A REPLY)

AP regulatory domain is set when shipped, this can't be changed. Country codes are changed manually on the WLC, not the regulatory domain. The country set must be in the regulatory domain of any associated APs. There is no setting for continent.

NEW QUESTION: 42

A network engineer is preparing for an office site survey with a height of 2.5 meters. Which three components are recommended to complete the survey? (Choose three.)

- A. Use a battery pack to power APs
- B. Use DoS attack on APs while measuring the throughput.
- C. Use APs with built-in antennas.
- D. Use a drawing of the office space to draw AP and client placements.
- E. Use APs with external antennas.
- F. Use APs with directional antennas.

Answer: (SHOW ANSWER)

NEW QUESTION: 43

A network administrator of a global organization is collapsing all controllers to a single cluster located in central Europe. Which concern must be addressed?

- A. Different RF policies per office are not available in this configuration.
- B. Some channels may not be available consistently across the organization.
- C. Syslog must be configured to the time-zone of the NMS platform.
- D. Centralized controllers cannot uniformly authenticate global users.

Answer: C (LEAVE A REPLY)

NEW QUESTION: 44

Refer to the exhibit.

Name Prefix

Add APs:

AP Type:

Enable 11n Support:

802.11a/n/ac Antenna:

802.11b/g/n Antenna:

Protocol:

Throughput: 802.11a/n/ac 802.11b/g/n

Services: Advanced Options

Data/Coverage
Safety Margin:

Voice
Safety Margin:

Location

Location with Monitor Mode APs

Demand

Override Coverage Per AP
Per AP Area0 (sq feet)

Total Coverage Area: 179312 (sq feet)

Recommended AP Count: **74**

Data/Coverage: **48**

Voice: **48**

Location: **59**

Location with Monitor Mode APs

Demand

Floor Type: Cubes and Walled Offices

Add APs Automatically:
Realize and move the rectangle using the mouse over the desired coverage area, then specify placement criteria. Click "Calculate" to determine the number of APs recommended by NCS. If you are satisfied with the result, press "Apply". APs will be created and automatically positioned on the map.





Which two statements about Cisco Prime Infrastructure are true? (Choose two.)

- A. It presents the recommended number of APs for the selected coverage area based on the selections made.
- B. Planning mode requires a special license in Cisco Prime Infrastructure.
- C. It shows the map editor feature in Cisco Prime Infrastructure.
- D. Controllers must be synchronized with Cisco Prime Infrastructure for planning mode to work.
- E. It shows the planning mode feature in Cisco Prime Infrastructure.

Answer: A,E (LEAVE A REPLY)

Use Planning Mode to Calculate Access Point Coverage Requirements

Prime Infrastructure planning mode lets you calculate the number of access points (APs) required to cover an area by placing fictitious APs on a map and viewing the coverage area. Based on the throughput specified for each protocol (802.11a/n or 802.11b/g/n), planning mode calculates the total number of APs required to provide optimum coverage in your network. You can calculate the recommended number and location of APs based on the following criteria:

NEW QUESTION: 45

An engineer must create data link redundancy for the company's Cisco Wireless LAN controller. The engineer has decided to configure LAG-based redundancy instead of port-based redundancy. Which three features of LAG-based redundancy influenced this decision? (Choose three.)

- A. Packets are always sent out on the same port they are received on.
- B. All interface traffic passes as long as one port is up.
- C. The same port has multiple untagged dynamic interfaces.
- D. Interface connection to two separate nonstacked switches is available.
- E. Full bandwidth of all links is available.
- F. Ports are grouped into multiple LAGs.

Answer: A,B,F (LEAVE A REPLY)

<https://community.cisco.com/t5/wireless-mobility-documents/lag-link-aggregation/ta-p/3128669>

NEW QUESTION: 46

Which three pieces of equipment are needed to conduct a fully measured wireless survey? (Choose three.)

- A. PoE battery
- B. spirit level
- C. access point
- D. tall tripod
- E. goggles
- F. ladder

Answer: A,C,D (LEAVE A REPLY)

Section: Wireless Site Survey

Valid 300-425 Dumps shared by PrepPdf.com for Helping Passing 300-425 Exam! PrepPdf.com now offer the **newest 300-425 exam dumps**, the PrepPdf.com 300-425 exam **questions have been updated** and **answers have been corrected** get the **newest** PrepPdf.com 300-425 dumps with Test Engine here: <https://www.preppdf.com/Cisco/300-425-prepaway-exam-dumps.html> (239 Q&As Dumps, **40%OFF Special Discount: Exam-Tests**)

NEW QUESTION: 47

Guest anchoring is configured for a newly created SSID for your company. It has been noticed that the mobility tunnels are not up, and that MPING fails from your foreign WLC to the anchor WLC. What is the reason that it is failing?

- A. A rule is needed at the firewall to allow UDP port 16666 for communication to work.
- B. A rule is needed at the firewall to allow UDP port 97 for communication to work.
- C. A rule is needed at the firewall to allow TCP port 97 for communication to work.
- D. A rule is needed at the firewall to allow TCP port 16666 for communication to work.

Answer: (SHOW ANSWER)

- UDP 16666 for tunnel control traffic
- IP Protocol 97 for user data traffic
- UDP 161 and 162 for SNMP

NEW QUESTION: 48

A customer has two Cisco 550B WLCs that manage all the access points in their network and provide N+1 redundancy and load balancing. The primary Cisco WLC has 60 licenses and the secondary Cisco WLC has 40. The customer wants to convert the N+1 model to an HA model and provide SSO. Configuration must be performed during a maintenance window. After performing all the configurations on both controllers, the config redundancy unit secondary command is issued on the secondary Cisco WLC and it fails. Which parameter needs to be in place to complete the configuration?

- A. A cable in the RP port
- B. The secondary Cisco WLC needs a minimum of 50 base licenses
- C. The primary Cisco WLC is already set as the secondary unit.
- D. SSO needs to be enabled

Answer: B (LEAVE A REPLY)

Explanation/Reference:

NEW QUESTION: 49

Which CLI command does an engineer use to validate that the redundancy peer of a Stateful Switchover pair of controllers is up and connected?

- A. rping
- B. ping
- C. eping
- D. mping

Answer: B (LEAVE A REPLY)

Both the WLCs in HA setup keep track of gateway reachability. The Active WLC sends an Internet Control Message Protocol (ICMP) ping to the gateway using the Management IP address as the source.

NEW QUESTION: 50

An AP is receiving 802.11 packets on its 802.11a radio with an RSSI value of -77 dBm. The current AP is part of an AP group that has been assigned an RF profile with RX-SOP set to Medium for 802.11 a. Which action does the AP take with the packets?

- A. All frames are classified as non-Wi-Fi frames and are not decoded by the 2.4 GHz radio.
- B. All frames are classified as non-Wi-Fi frames and are not decoded by the 5 GHz radio.
- C. Frames are decoded by the 5 GHz radio.
- D. Frames are decoded by the 2.4 GHz radio.

Answer: A (LEAVE A REPLY)

NEW QUESTION: 51

A customer is looking for a network design with Cisco Hyperlocation using AP4800 for location tracking via a custom mobile app. Issues appeared in the past with refresh rates for location updates. What needs to be implemented to meet these requirements?

- A. Cisco FastLocate technology
- B. redundant CMX and fetch location in round-robin fashion.
- C. Cisco CMX SDK in the location app
- D. device Bluetooth via the app

Answer: A (LEAVE A REPLY)

NEW QUESTION: 52

An engineer must speed up the reauthentication delays that are being experienced on the wireless infrastructure by deploying a key-caching mechanism. Which mechanism must be configured?

- A. PEAP
- B. FT
- C. PMF
- D. GTK-randomization

Answer: B (LEAVE A REPLY)

Section: Wired and Wireless Infrastructure

NEW QUESTION: 53

An engineer is designing a new wireless network. The network needs to meet these requirements:

- support a high wireless client concentration
- support data over wireless
- support voice over wireless
- avoid interference

Which design approach should be taken?

- A. 5 GHz frequency band with channel bonding, to support 40 MHz channels
- B. 5 GHz frequency band without channel bonding, to support 20 MHz channels
- C. 5 GHz frequency band with channel bonding, to support 80 MHz channels.
- D. 2.4 GHz frequency band without channel bonding, to support 20 MHz channels

Answer: D (LEAVE A REPLY)

<https://www.cisco.com/c/en/us/support/docs/wireless/4400-series-wireless-lan-controllers/108184-config-802-11n-wlc.html>

NEW QUESTION: 54

A wireless engineer is using Ekahau Site Survey to validate that an existing wireless network is operating as expected. Which type of survey should be used to identify the end-to-end network performance?

- A. GPS assisted
- B. active ping
- C. passive
- D. spectrum analysis

Answer: D (LEAVE A REPLY)

NEW QUESTION: 55

A company wants to replace its existing PBX system with a new VoIP System that will include wireless IP phones. The CIO has concerns about whether the company's existing wireless network can support the new system. Which tool in Cisco Prime can help ensure that the current network will support the new phone system?

- A. Location Readiness
- B. Site Calibration
- C. Map Editor
- D. Voice Readiness

Answer: D (LEAVE A REPLY)

The VoWLAN Readiness (voice readiness) tool allows you to check the RF coverage to determine if it is sufficient for your voice needs.

NEW QUESTION: 56

An engineer must ensure that the new wireless LAN deployment can support seamless roaming between access points using a standard based on an amendment to the 802.11 protocol. Which protocol must the engineer select?

- A. 802.11i
- B. 802.11ac
- C. 802.11r
- D. 802.11e

Answer: C (LEAVE A REPLY)

The 802.11r Fast Transition (FT) Roaming is an amendment to the 802.11 IEEE standards.

NEW QUESTION: 57

Which CLI command does an engineer use to validate that the redundancy peer of a Stateful Switchover pair of controllers is up and connected?

- A. eping
- B. rping
- C. mping
- D. ping

Answer: D (LEAVE A REPLY)

NEW QUESTION: 58

A network administrator uses GRE over IPSec to connect two branches together via VPN tunnel. Which one of the following is the reason for using GRE over IPSec?

- A. GRE over IPSec provides better QoS mechanism and is faster than other WAN technologies
- B. GRE over IPSec decreases the overhead of the header.
- C. GRE supports use of routing protocol, while IPSec supports encryption.
- D. GRE supports encryption, while IPSec supports use of routing protocol.

Answer: (SHOW ANSWER)

Following are the management protocols that the MPP feature supports.

These management protocols are also the only protocols affected when MPP is enabled.

NEW QUESTION: 59

Why is 802.11a connectivity reduced in an X-ray room?

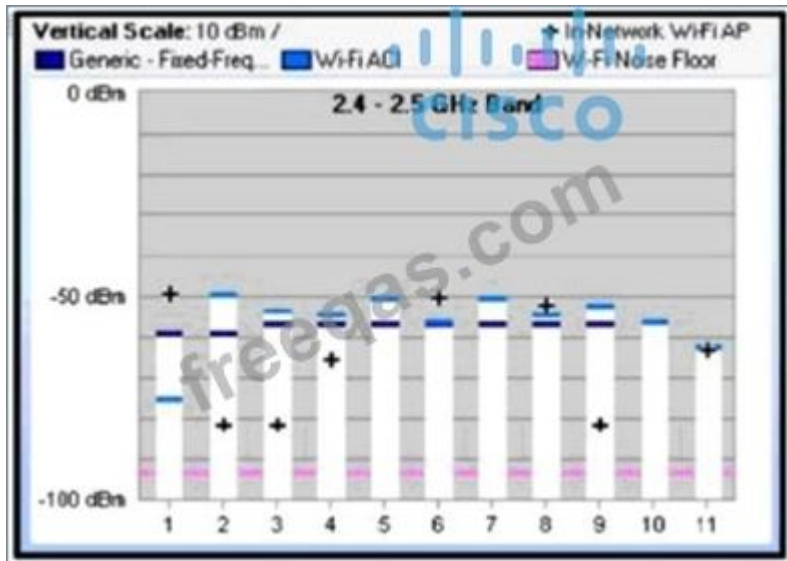
- A. X-rays impact the 802.11a UNII-2 channels that cause access points to dynamically change channels.
- B. X-rays within these rooms cause multipath issues.
- C. X-ray rooms exhibit increased signal attenuation.
- D. X-rays create significant non-Wi-Fi interference on the 802.11a band.

Answer: (SHOW ANSWER)

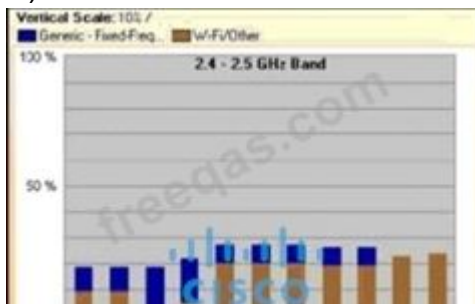
NEW QUESTION: 60

An engineer is performing a Layer 1 passive wireless site survey utilizing a channel analyzer software in the 2.4 GHz spectrum. Which chart indicates the ratio of interference present during the duration of the capture?

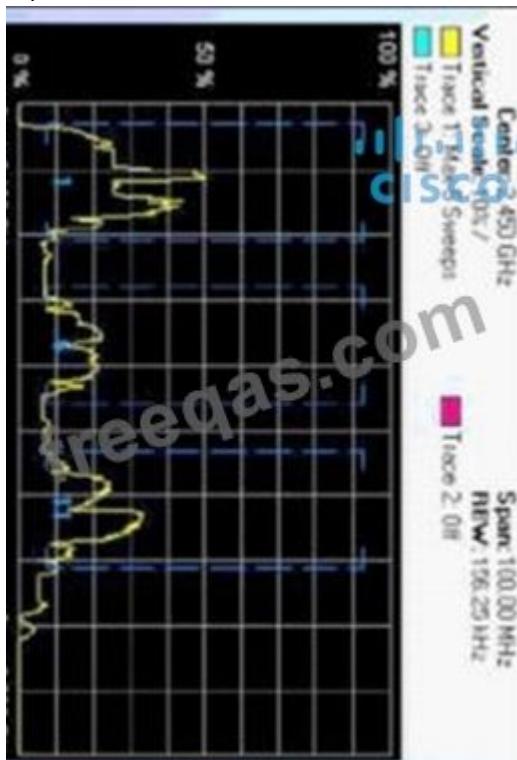
A)



B)



C)



A. Option C

B. Option B

C. Option D

D. Option A

Answer: A (LEAVE A REPLY)

NEW QUESTION: 61

An engineer must configure the virtual IP address on multiple controllers in a mobility group. Which rule must the engineer follow to ensure proper roaming?

A. Ensure that the DNS entry is tied to the virtual IP address of the WLC.

B. Use a unique IP address for each WLC.

C. Ensure that the DNS Host Name field is defined.

D. Use the same IP address for each WLC.

Answer: D (LEAVE A REPLY)

All controllers within a mobility group must be configured with the same virtual interface IP address.

Valid 300-425 Dumps shared by PrepPdf.com for Helping Passing 300-425 Exam! PrepPdf.com now offer the **newest 300-425 exam dumps**, the PrepPdf.com 300-425 exam **questions have been updated** and **answers have been corrected** get the **newest** PrepPdf.com 300-425 dumps with Test Engine here: <https://www.preppdf.com/Cisco/300-425-prepaway-exam-dumps.html> (239 Q&As Dumps, **40%OFF Special Discount: Exam-Tests**)

NEW QUESTION: 62

Which CLI command does an engineer use to validate that the redundancy peer of a Stateful Switchover pair of controllers is up and connected?

A. rping

B. ping

C. eping

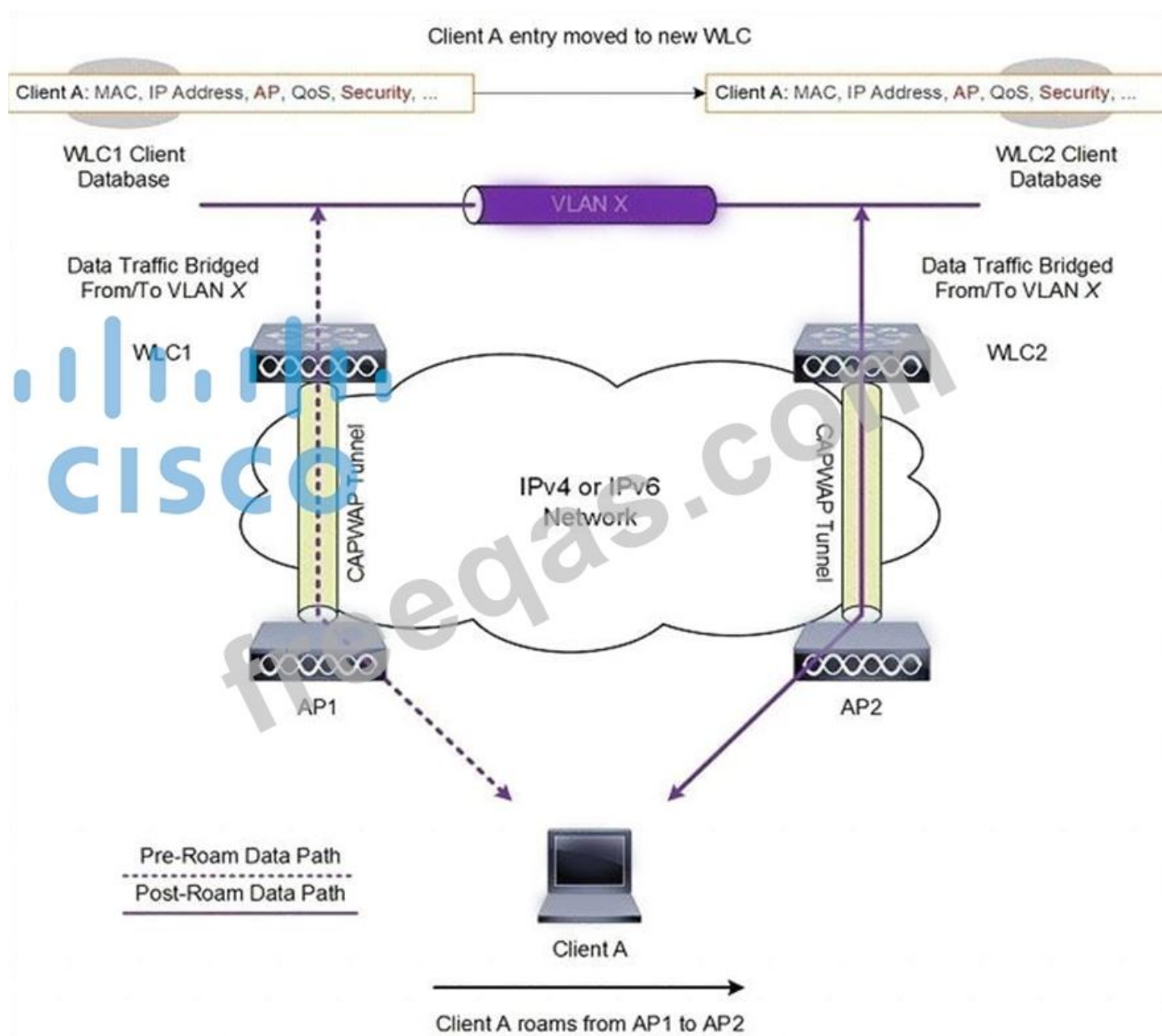
D. mping

Answer: B (LEAVE A REPLY)

Both the WLCs in HA setup keep track of gateway reachability. The Active WLC sends an Internet Control Message Protocol (ICMP) ping to the gateway using the Management IP address as the source.

NEW QUESTION: 63

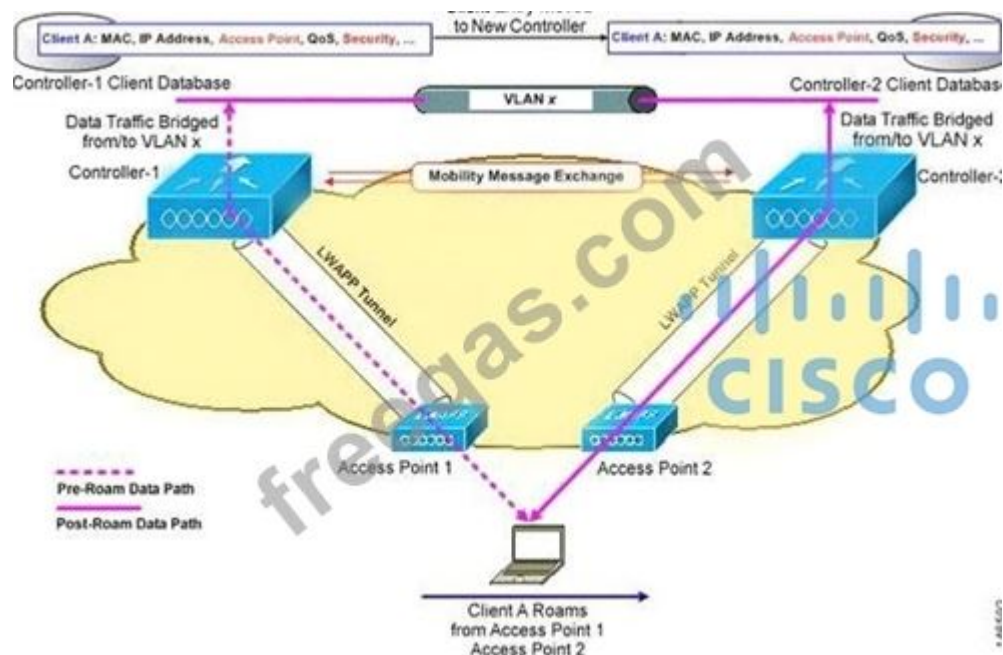
Refer to the exhibit.



A client roams between two APs that are registered to two different controllers, where each controller has an interface in the client subnet. Both controllers are running AireOS. Which scenario explains the client roaming behavior?

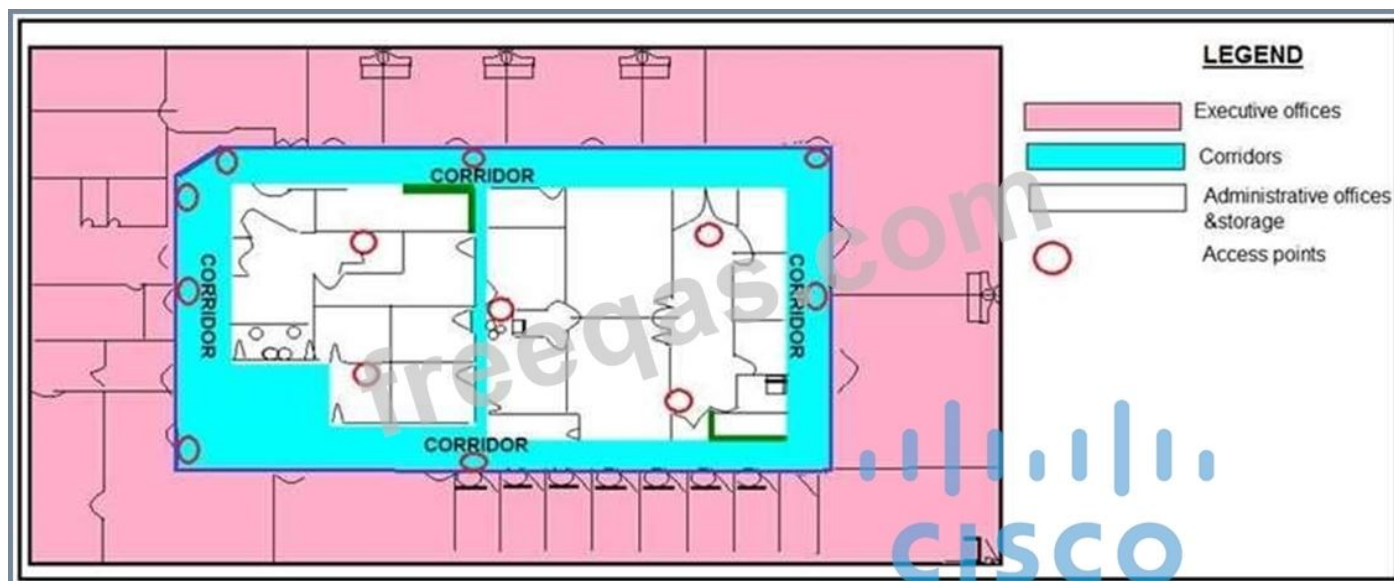
- A. Controllers exchange mobility control messages (over UDP port 16666) and the client database entry is moved from the original controller to the new controller.
- B. Controllers do not exchange mobility control messages (over UDP port 16666) and the client database, entry is not moved from the original controller to the new controller.
- C. Controllers exchange mobility control messages (over UDP port 16666) and a new client session is started with the new controller.
- D. Controllers exchange mobility control messages (over UDP port 16666) and the client database entry is tunneled from the original controller to the new controller.

Answer: ([SHOW ANSWER](#))



In this instance controllers exchange mobility control messages (over UDP port 16666) and the client database entry is **moved** from the original controller to the new controller.

NEW QUESTION: 64



Refer to the exhibit. What is the main reason why the Wi-Fi design engineer took a different approach than installing the APs in the offices, even though that installation provides better coverage?

- A. aesthetics
- B. transmit power considerations
- C. antenna gain
- D. power supply considerations

Answer: B (LEAVE A REPLY)

Section: Wired and Wireless Infrastructure

NEW QUESTION: 65

A company wants to replace its existing PBX system with a new VoIP System that will include wireless IP phones. The CIO has concerns about whether the company's existing wireless network can support the new system. Which tool in Cisco Prime can help ensure that the current network will support the new phone system?

- A. Location Readiness
- B. Site Calibration
- C. Map Editor
- D. Voice Readiness

Answer: D (LEAVE A REPLY)

Section: Wired and Wireless Infrastructure

NEW QUESTION: 66

Which statement about the 9800 Series Wireless Controller mobility tunnel on a Cisco Catalyst 9800 controller is true?

- A. It is a CAPWAP tunnel with data path only.
- B. It is a CAPWAP tunnel with control path and data path.
- C. It is an IPsec tunnel with control path and data path.
- D. It is an IPsec tunnel with control path only.

Answer: A (LEAVE A REPLY)

NEW QUESTION: 67

A wireless engineer is designing a wireless network to support real-time applications over wireless. Which IEEE protocol must the engineer enable on the WLC so that the number of packets that are exchanged between an access point and client are reduced and fast roaming occurs?

- A. 802.11k
- B. 802.11w
- C. 802.11r
- D. 802.11i

Answer: A (LEAVE A REPLY)

NEW QUESTION: 68

An engineer must configure the virtual IP address on multiple controllers in a mobility group. Which rule must the engineer follow to ensure proper roaming?

- A. Ensure that the DNS entry is tied to the virtual IP address of the WLC.
- B. Use a unique IP address for each WLC.
- C. Ensure that the DNS Host Name field is defined.
- D. Use the same IP address for each WLC.

Answer: (SHOW ANSWER)

All controllers within a mobility group must be configured with the same virtual interface IP address.

NEW QUESTION: 69

Which common issue causes intermittent DMVPN tunnel flaps?

- A. a routing neighbor reachability issue
- B. a suboptimal routing table
- C. interface bandwidth congestion
- D. that the GRE tunnel to hub router is not encrypted

Answer: A (LEAVE A REPLY)

DMVPN Tunnel Flaps Intermittently
Problem

DMVPN tunnel flaps intermittently.

Solution

When DMVPN tunnels flap, check the neighborship between the routers as issues with neighborship formation between routers may cause the DMVPN tunnel to flap. In order to resolve this problem, make sure the neighborship between the routers is always up.

Reference: <http://www.cisco.com/c/en/us/support/docs/security-vpn/ipsec-negotiation-ike-protocols/29240-dcmvpn.html#Prblm1>

NEW QUESTION: 70

Which statement about the 9800 Series Wireless Controller mobility tunnel on a Cisco Catalyst 9800 controller is true?

- A. It is an IPsec tunnel with control path only.
- B. It is a CAPWAP tunnel with data path only.
- C. It is a CAPWAP tunnel with control path and data path.
- D. It is an IPsec tunnel with control path and data path.

Answer: (SHOW ANSWER)

The Cisco Catalyst 9800 Series Wireless Controller mobility tunnel is a CAPWAP tunnel with control path (UDP 16666) and data path (UDP 16667). The control path is DTLS encrypted by default. Data path DTLS can be enabled when you add the mobility peer.

NEW QUESTION: 71

A network engineer is working on a design for a wireless network that must support data, voice, and location services. To support these services, which access point placement must the engineer use?

- A. corner only
- B. perimeter and corner
- C. perimeter only
- D. indoor and outdoor

Answer: C (LEAVE A REPLY)

Explanation

<https://www.cisco.com/c/en/us/td/docs/solutions/Enterprise/Mobility/WiFiLBS-DG/wifich5.html>

NEW QUESTION: 72

Users were moved from the local DHCP server to the remote corporate DHCP server. After the move, none of the users were able to use the network.

Which two issues will prevent this setup from working properly? (Choose two.)

- A. 802.1X is blocking DHCP traffic.
- B. The broadcast domain is too large for proper DHCP propagation.
- C. The route to the new DHCP server is missing.

- D. The DHCP server IP address configuration is missing locally.
- E. Auto-QoS is blocking DHCP traffic.

Answer: ([SHOW ANSWER](#))

NEW QUESTION: 73

An engineer must configure the virtual IP address on multiple controllers in a mobility group. Which rule must the engineer follow to ensure proper roaming?

- A. Ensure that the DNS entry is tied to the virtual IP address of the WLC.
- B. Use a unique IP address for each WLC.
- C. Ensure that the DNS Host Name field is defined.
- D. Use the same IP address for each WLC.

Answer: ([SHOW ANSWER](#))

All controllers within a mobility group must be configured with the same virtual interface IP address.

NEW QUESTION: 74

An engineer has performed a predictive site survey for high-speed data and voice in an indoor office. What is the recommended data rate with -67 dBm signal level for optimal VoWLAN design?

- A. 6 Mbps on 802.11 bgn
- B. 24 Mbps on 802.11 bgn
- C. 12 Mbps on 802.11 an
- D. 24 Mbps on 802.11 an

Answer: ([SHOW ANSWER](#))

The -67 dBm measurement has been used for years for 11b phone clients from many vendors. Tests indicate that this same rule of thumb measurement works well for 11g and 11a phone clients.

The lower data rates in 11a can be disabled, the 24 Mbps

NEW QUESTION: 75

An engineer is designing an outdoor mesh network to cover several sports fields. The core of the network is located in a building at the entrance of a sports complex. Which type of antenna should be used with the RAP for backhaul connectivity?

- A. 5 GHz. 8-dBi omnidirectional antenna
- B. 2.4 GHz. 8-dBi patch antenna
- C. 2.4 GHz. 14-dBi omnidirectional antenna
- D. 5 GHz. 14-dBi patch antenna

Answer: ([SHOW ANSWER](#))

https://www.cisco.com/c/en/us/products/collateral/wireless/aironet-antennas-accessories/product_data_sheet09186a008008883b.html

NEW QUESTION: 76

A customer called with a requirement that internal clients must be on different subnets depending on the building they are in. All access points are operating in local mode and will not be modified, and this is a single controller solution. Which design approach creates the desired result?

- A. Create AP groups for each desired location, map the correct VLANs to the internal SSID and add the access points for that location

- B.** Create mobility anchors for the SSID. and on the controller under the internal SSID. create a foreign map to the desired VLAN based on location
- C.** Create FiexConnect groups, place the access points in. and set the correct VLAN to SSID mapping based on location.
- D.** Create an SSID. place it to the desired VLAN under WLANs. and configure 802.ix in ISE to assign the correct VLAN based on the SSID from which the client is authenticating.

Answer: ([SHOW ANSWER](#))

Valid 300-425 Dumps shared by PrepPdf.com for Helping Passing 300-425 Exam! PrepPdf.com now offer the **newest 300-425 exam dumps**, the PrepPdf.com 300-425 exam **questions have been updated** and **answers have been corrected** get the **newest** PrepPdf.com 300-425 dumps with Test Engine here: <https://www.preppdf.com/Cisco/300-425-prepaway-exam-dumps.html> (239 Q&As Dumps, **40%OFF Special Discount: Exam-Tests**)

NEW QUESTION: 77

A university is in the process of designing a wireless network in an auditorium that seats 500 students and supports student laptops. Which design methodology should the university implement in the auditorium?

- A.** roaming design model
- B.** voice design model
- C.** location design model
- D.** high-density design model

Answer: B ([LEAVE A REPLY](#))

https://www.cisco.com/c/dam/en_us/solutions/industries/docs/education/cisco_wlan_design_guide.pdf

NEW QUESTION: 78

Which statement about the 9800 Series Wireless Controller mobility tunnel on a Cisco Catalyst 9800 controller is true?

- A.** It is an IPsec tunnel with control path only.
- B.** It is a CAPWAP tunnel with data path only.
- C.** It is a CAPWAP tunnel with control path and data path.
- D.** It is an IPsec tunnel with control path and data path.

Answer: C ([LEAVE A REPLY](#))

The Cisco Catalyst 9800 Series Wireless Controller mobility tunnel is a CAPWAP tunnel with control path (UDP 16666) and data path (UDP 16667). The control path is DTLS encrypted by default. Data path DTLS can be enabled when you add the mobility peer.

NEW QUESTION: 79

A wireless engineer is performing a post verification of a wireless network. Which two metrics does the engineer verify to ensure that the wireless network can support voice services? (Choose two.)

- A.** The coverage area must have a noise floor that does not exceed -87 dBm.
- B.** The client device must have at least an -67 dBm RSSI.
- C.** The rate of retransmitted packets must be 15 percent or below.
- D.** The rate of retransmitted packets must be 20 percent or below.

E. The client device must have at least an -65 dBm RSSI.

Answer: (SHOW ANSWER)

1. The optimal VoWLAN Cell Edge recommendation is -67 dBm.
5. Retransmissions should be kept under 20 percent.

NEW QUESTION: 80

A customer has determined that aesthetics is a primary concern for their upcoming guest deployment. Which design consideration can be leveraged to address this concern?

- A. Use enclosures to hide the wireless infrastructure in the surrounding environment.
- B. Use AIR-AP-BRACKET-1 to allow for greater mounting locations
- C. Deploy environmentally friendly cabling components to blend into the environment.
- D. Paint the access point to cover the LED from being noticeable.

Answer: C (LEAVE A REPLY)

NEW QUESTION: 81

Where must the APs be mounted when used in a high-density wireless network to provide 6 dB to 20 dB of attenuation to a cell?

- A. in the aisle
- B. under the seat
- C. above the stage
- D. under the stage

Answer: B (LEAVE A REPLY)

Under seat or under desk mounting can provide from 6 dB to 20 dB of attenuation to the cell,

NEW QUESTION: 82

Multiple WLCs are implemented in a high-availability configuration in a mobility group. APs are deployed with only a primary controller assigned. By default, which mobility group member controller do the orphaned APs join in the event of a failed controller?

- A. controller with the most available AP free license capacity
- B. controller with the lowest percent of associated APs per license capacity
- C. controller with the least CPU utilization over the last reporting period
- D. controller with the least number of associated APs

Answer: D (LEAVE A REPLY)

Section: Mobility

NEW QUESTION: 83

An engineer is designing a wireless network that will support many different types of wireless clients. When conducting the survey, which client must be used to ensure a consistent experience for all of the wireless clients?

- A. the client that has the highest RF properties
- B. the client that is used most by the company
- C. the client that is used least by the company
- D. the client with the worst RF characteristics

Answer: D (LEAVE A REPLY)

Explanation

With the proliferation of clients with varying wireless capabilities, it is important to survey for the 'worst' clients in order to ensure a consistent experience across all your clients once your wireless network is in production.

https://documentation.meraki.com/MR/WiFi_Basics_and_Best_Practices/Conducting_Site_Surveys_with_MR_A

NEW QUESTION: 84

A network engineer is working on a design for a wireless network that must support data, voice, and location services. To support these services, which access point placement must the engineer use?

- A. corner only
- B. perimeter and corner
- C. perimeter only
- D. indoor and outdoor

Answer: C (LEAVE A REPLY)

Section: Wired and Wireless Infrastructure

NEW QUESTION: 85

An engineer must ensure that the wireless network can accomplish fast secure roaming by way of caching keys on the access points. Which key caching mechanism is enabled by default on a Cisco AireOS WLC?

- A. SKC
- B. OKC
- C. 802.11r
- D. CCKM

Answer: B (LEAVE A REPLY)

Step 2 Enable sticky key caching by entering this command:

```
config wlan security wpa wpa2 cache sticky enable wlan_id
```

By default, SKC is disabled and opportunistic key caching (OKC) is enabled.

NEW QUESTION: 86

Which non-Wi-Fi interferer can be identified by Metageek Chanalyzer?

- A. PDAs
- B. jammers
- C. smartphones
- D. printers

Answer: B (LEAVE A REPLY)

Explanation

<https://www.metageek.com/training/resources/wifi-and-non-wifi-interference>

A jamming transmitter creates constant noise across each frequency. These are used in a denial-of-service attack, and will prevent other wireless technologies from fully operating.

NEW QUESTION: 87

During a post-deployment site Survey, issues are found with non wi-Fi interference. What should the engineer use to identify the source of the Interference?

- A. Network analysis module
- B. Cisco spectrum expert
- C. Wireshark
- D. Wireless intrusion prevention

Answer: B (LEAVE A REPLY)

NEW QUESTION: 88

Which UDP port numbers are used for exchange mobility packets in an AireOS wireless deployment?

- A. UDP 16668 for control plane, UDP 16667 for data plane
- B. UDP 16666 for control plane, UDP 16667 for data plane
- C. UDP 16666 for control plane, EoIP (IP protocol 97) for data plane
- D. UDP 16667 for control plane, UDP 16666 for data plane

Answer: B (LEAVE A REPLY)

NEW QUESTION: 89

A wireless network consultant must assess an existing wireless LAN controller. Which section must the consultant check before replacing the old APs with APs that are IEEE 802.11ac-capable?

- A. controller PSU
- B. number of AP licenses
- C. software version
- D. throughput capacity

Answer: B (LEAVE A REPLY)

NEW QUESTION: 90

Where must the APs be mounted when used in a high-density wireless network to provide 6 dB to 20 dB of attenuation to a cell?

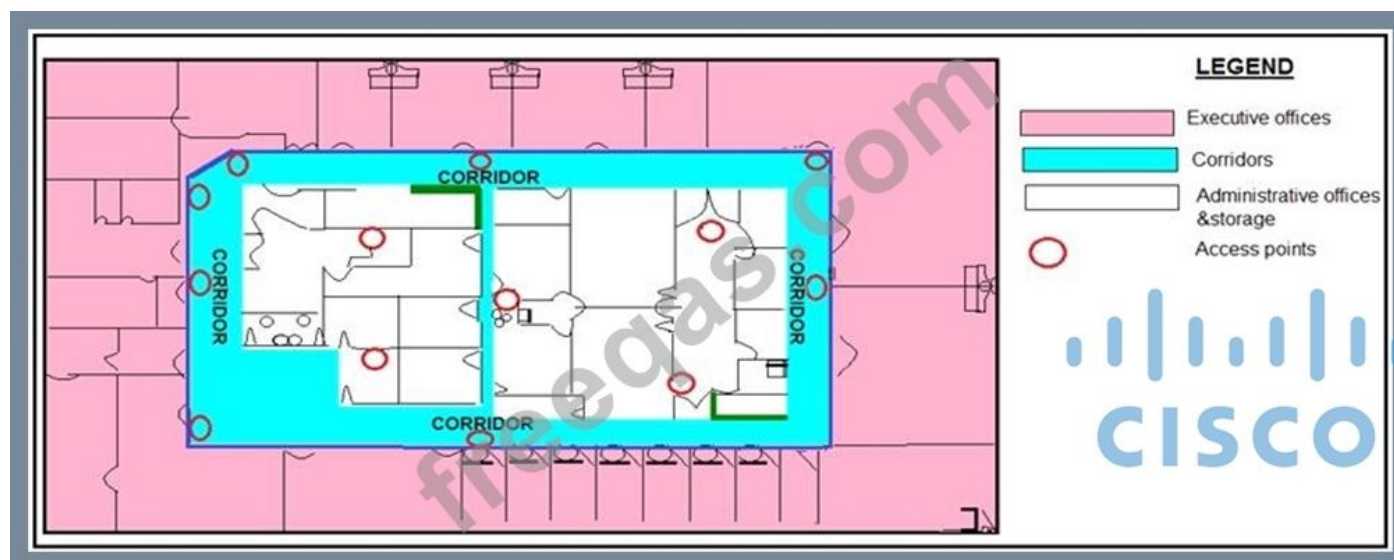
- A. in the aisle
- B. under the seat
- C. above the stage
- D. under the stage

Answer: B (LEAVE A REPLY)

Under seat or under desk mounting can provide from 6 dB to 20 dB of attenuation to the cell,

NEW QUESTION: 91

Refer to the exhibit.



What is the main reason why the Wi-Fi design engineer took a different approach than installing the APs in the offices, even though that installation provides better coverage?

- A. power supply considerations
- B. aesthetics
- C. transmit power considerations
- D. antenna gain

Answer: C (LEAVE A REPLY)

Valid 300-425 Dumps shared by PrepPdf.com for Helping Passing 300-425 Exam! PrepPdf.com now offer the **newest 300-425 exam dumps**, the PrepPdf.com 300-425 exam **questions have been updated** and **answers have been corrected** get the **newest** PrepPdf.com 300-425 dumps with Test Engine here: <https://www.preppdf.com/Cisco/300-425-prepaway-exam-dumps.html> (239 Q&As Dumps, **40%OFF Special Discount: Exam-Tests**)

NEW QUESTION: 92

A wireless engineer is hired to design a network for a technology company. The company campus has four buildings and a warehouse with access points that provide full wireless coverage as well as a pair of WLCs located in the core of the network. Which type of wireless architecture is being used?

- A. unified deployment
- B. autonomous deployment
- C. centralized deployment
- D. distributed deployment

Answer: C (LEAVE A REPLY)

Centralized - Works across APs and WLCs in the same Mobility group

NEW QUESTION: 93

What are the three RSTP port states? (Choose three.)

- A. Initializing

- B. Blocking
- C. Learning
- D. Listening
- E. Forwarding
- F. Discarding

Answer: C,E,F (LEAVE A REPLY)

Rapid Spanning Tree Protocol (RSTP) uses only three port states: discarding, learning, and forwarding. The learning and forwarding states are the same as the original STP standard, but the discarding state performs the functions originally performed in the disabled, blocking, and listening STP states.

With STP, you can safely assume that a listening port is either designated or root, and is on its way to the forwarding state. Unfortunately, once a port is in the forwarding state, there is no way to tell whether the port is root or designated. There is no difference in the operation of a port in blocking state and a port in listening state, since they both discard frames and do not learn MAC addresses. The real difference is in the role the spanning tree assigns to the port. RSTP decouples the role and the state of a port.

With RSTP, a role is assigned to a port. The root port and designated port roles are the same as with STP, while the blocking port role is split into the backup and alternative port roles. The Spanning Tree Algorithm (STA) determines the role of a port based on Bridge Protocol Data Units (BPDUs). The RSTP roles can be defined as follows:

Root port: The port receiving the best BPDU on a bridge (lowest-cost path to the root bridge) is the root port.

Designated port: The port that has the best path to the root bridge on a given segment is the designated port.

The bridges connected to a given segment listen to each other's BPDUs and agree on the bridge sending the best BPDU as the designated bridge for the segment. The corresponding port on that bridge is the designated port.

Alternative port: An alternative port is a port blocked by receiving more useful BPDUs from another bridge. It becomes the root port if the active port fails.

Backup port: A backup port is a port blocked by receiving more useful BPDUs originating from the same bridge. It becomes the designated port if the existing designated port fails.

Ports on the switch can also be classified as edge ports and non-edge ports. Access ports or edge ports are those that attach to devices such as workstations or printers. Non-edge ports are those that connect to other switches. If a non-edge port transitions to a forwarding state, a TC BPDU will be generated. On the other hand, when an edge port transitions to the forwarding state, such as after a computer boots up or a device is connected to the port, no TC BPDU is generated.

Objective:

Layer 2 Technologies

Sub-Objective:

Configure and verify spanning tree

References:

Cisco > Support > Technology Support > LAN Switching > Spanning Tree Protocol > Technology Information > Technology White Paper > Understanding Rapid Spanning Tree Protocol (802.1w)

NEW QUESTION: 94

An engineer at a global enterprise organization must ensure that a mesh deployment has the highest number of channels available to the backhaul, regardless of region deployed, which design meets this requirement?

- A. one controller per continent
- B. one controller per country code

- C. redundant controllers in the most restrictive regulatory domain
- D. redundant controllers in the least restrictive regulatory domain

Answer: [\(SHOW ANSWER\)](#)

Explanation

https://www.cisco.com/c/en/us/td/docs/wireless/controller/8-5/config-guide/b_cg85/country_codes.html

NEW QUESTION: 95

As part of a wireless site survey in a hospital, an engineer needs to identify potential Layer 1 interferers. In which two areas is the engineer most likely to find sources of 2.4 GHz and 5 GHz RF noise? (Choose two.)

- A. magnetic resonance imaging
- B. kitchen
- C. Gamma Knife radiation treatment
- D. X-ray radiography
- E. patient room

Answer: [B,E \(LEAVE A REPLY\)](#)

Explanation

<https://www.ciscopress.com/articles/article.asp?p=2351131&seqNum=2>

NEW QUESTION: 96

An engineer must configure the virtual IP address on multiple controllers in a mobility group. Which rule must the engineer follow to ensure proper roaming?

- A. Ensure that the DNS entry is tied to the virtual IP address of the WLC.
- B. Use a unique IP address for each WLC.
- C. Ensure that the DNS Host Name field is defined.
- D. Use the same IP address for each WLC.

Answer: [A \(LEAVE A REPLY\)](#)

Section: Mobility

NEW QUESTION: 97

What is the attenuation value of a human body on a wireless signal?

- A. 3 dB
- B. 4 dB
- C. 6 dB
- D. 12 dB

Answer: [B \(LEAVE A REPLY\)](#)

<https://www.cisco.com/en/US/docs/solutions/Enterprise/Mobility/emob30dg/Voice.html>

NEW QUESTION: 98

An engineer has performed a predictive site survey for high-speed data and voice in an indoor office. What is the recommended data rate with -67 dBm signal level for optimal VoWLAN design?

- A. 6 Mbps on 802.11 bgn

- B. 24 Mbps on 802.11 bgn
- C. 12 Mbps on 802.11 an
- D. 24 Mbps on 802.11 an

Answer: B (LEAVE A REPLY)

Section: Wireless Site Survey

NEW QUESTION: 99

Why is 802.11a connectivity reduced in an X-ray room?

- A. X-rays impact the 802.11a UNII-2 channels Vial cause access points to dynamically change channels.
- B. X-rays create significant non-Wi-Fi interference on the 802.11a band
- C. X-rays within these rooms cause multipath issues.
- D. X-ray rooms exhibit increased signal attenuation

Answer: D (LEAVE A REPLY)

NEW QUESTION: 100

A customer is concerned about mesh backhaul link security. Which level of encryption does the backhaul link use?

- A. AES
- B. WEP
- C. 3DES
- D. hash

Answer: A (LEAVE A REPLY)

NEW QUESTION: 101

An engineer is designing a wireless network that will support many different types of wireless clients. When conducting the survey, which client must be used to ensure a consistent experience for all of the wireless clients?

- A. the client that has the highest RF properties
- B. the client that is used most by the company
- C. the client that is used least by the company
- D. the client with the worst RF characteristics

Answer: D (LEAVE A REPLY)

Explanation

With the proliferation of clients with varying wireless capabilities, it is important to survey for the 'worst' clients in order to ensure a consistent experience across all your clients once your wireless network is in production.

https://documentation.meraki.com/MR/WiFi_Basics_and_Best_Practices/Conducting_Site_Surveys_with_MR_A

NEW QUESTION: 102

A wireless network consultant must assess an existing wireless LAN controller. Which section must the consultant check before replacing the old APs with APs that are IEEE 802.11ac-capable?

- A. number of AP licenses
- B. controller PSU
- C. throughput capacity

D. software version

Answer: A (LEAVE A REPLY)

Explanation

<https://www.cisco.com/c/en/us/products/collateral/wireless/catalyst-9100ax-access-points/nb-06-802-11ax-faq-ct>

NEW QUESTION: 103

An enterprise is using the wireless network as the main network connection for corporate users and guests. To wireless network availability. Two Standalone controllers are installed in the head office. APs are connected to the controllers using a round-robin approach to load balance the traffic. After a power cut, the wireless clients disconnect while roaming. An engineer tried eping from the controller but fails. Which protocol needs to be allowed between the networks that the controllers are installed?

- A. IP Protocol 67
- B. IP Protocol 77
- C. IP Protocol 87
- D. IP Protocol 97

Answer: (SHOW ANSWER)

Mobility data traffic is carried via Ethernet over IP (EoIP) which is IP **protocol** 97. This is the IP protocol number, not a TCP/UDP port value.

NEW QUESTION: 104

An engineer is trying to determine the most cost-effective way to deploy high availability for a campus enterprise wireless network that currently leverages three wireless LAN controllers. Which architecture should the engineer deploy?

- A. N+1 solution without SSO
- B. N+1 with SSO
- C. N+N solution without SSO
- D. N+N with SSO

Answer: B (LEAVE A REPLY)

Explanation

https://www.cisco.com/c/en/us/td/docs/wireless/technology/hi_avail/N1_High_Availability_Deployment_Gu

NEW QUESTION: 105

Which Cisco VPN technology uses AAA to implement group policies and authorization and is also used for the XAUTH authentication method?

- A. Cisco Easy VPN
- B. GETVPN
- C. DMVPN
- D. GREVPN

Answer: A (LEAVE A REPLY)

NEW QUESTION: 106

A wireless deployment in a high-density environment is being used by vendors to process credit card payment transactions via handheld mobile scanners. The scanners are having problems roaming between access points in the environment. Which feature on the wireless controller should have been incorporated in the design?

- A. RX SOP
- B. AP Heartbeat Timeout
- C. Application Visibility Control
- D. 802.11w

Answer: ([SHOW ANSWER](#))

Valid **300-425 Dumps** shared by PrepPdf.com for Helping Passing 300-425 Exam! PrepPdf.com now offer the **newest 300-425 exam dumps**, the PrepPdf.com 300-425 exam **questions have been updated** and **answers have been corrected** get the **newest** PrepPdf.com 300-425 dumps with Test Engine here: <https://www.preppdf.com/Cisco/300-425-prepaway-exam-dumps.html> (239 Q&As Dumps, **40%OFF Special Discount: Exam-Tests**)

NEW QUESTION: 107

An engineer is trying to determine the most cost-effective way to deploy high availability for a campus enterprise wireless network that currently leverages three wireless LAN controllers. Which architecture should the engineer deploy?

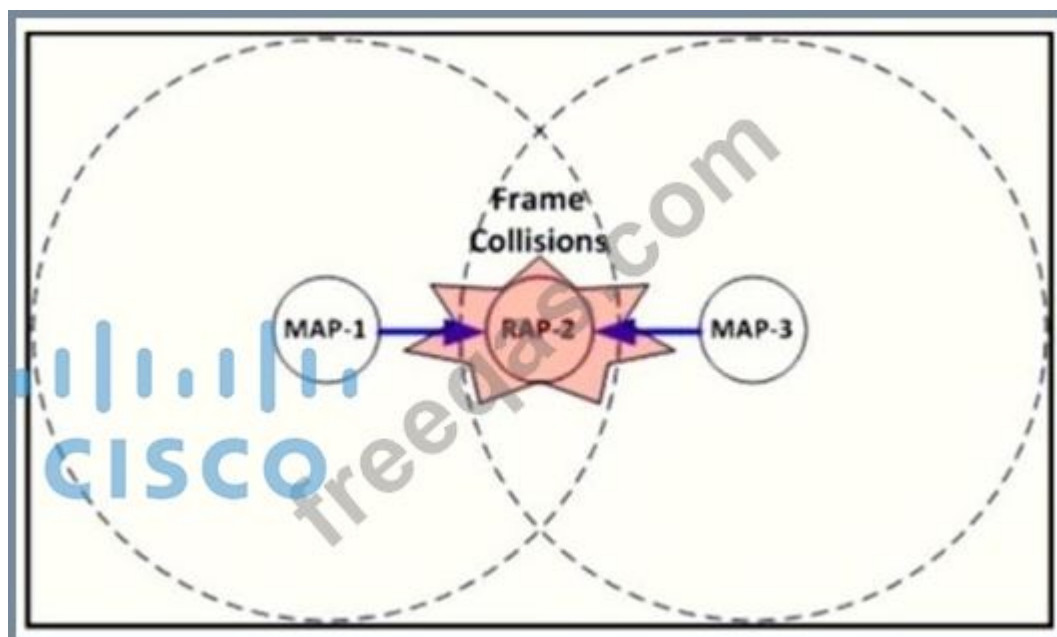
- A. N+1 solution without SSO
- B. N+1 with SSO
- C. N+N solution without SSO
- D. N+N with SSO

Answer: **B** ([LEAVE A REPLY](#))

https://www.cisco.com/c/en/us/td/docs/wireless/technology/hi_avail/N1_High_Availability_Deployment_Guide/N1_HA_Overview.html?

NEW QUESTION: 108

Refer to the exhibit.



During a post Mesh deployment survey, an engineer notices that frame sessions occur when MAP-1 and MAP-3 talk to RAP-2. Which type of issue does the engineer need to address in the design?

- A. co-channel interference
- B. backhaul latency
- C. hidden node
- D. exposed node

Answer: A (LEAVE A REPLY)

https://www.cisco.com/c/en/us/td/docs/wireless/technology/mesh/7-3/design/guide/Mesh/Mesh_chapter_0100.html

NEW QUESTION: 109

An engineer has performed a predictive site survey for high-speed data and voice in an indoor office. What is the recommended data rate with -67 dBm signal level for optimal VoWLAN design?

- A. 6 Mbps on 802.11 bgn
- B. 24 Mbps on 802.11 bgn
- C. 12 Mbps on 802.11 an
- D. 24 Mbps on 802.11 an

Answer: (SHOW ANSWER)

The -67 dBm measurement has been used for years for 11b phone clients from many vendors. Tests indicate that this same rule of thumb measurement works well for 11g and 11a phone clients.

The lower data rates in 11a can be disabled, the 24 Mbps data rate can be set to "required",

Valid 300-425 Dumps shared by PrepPdf.com for Helping Passing 300-425 Exam! PrepPdf.com now offer the **newest 300-425 exam dumps**, the PrepPdf.com 300-425 exam **questions have been updated** and **answers have been corrected** get the **newest** PrepPdf.com 300-425 dumps with Test Engine here: <https://www.preppdf.com/Cisco/300-425-prepaway-exam-dumps.html> (239 Q&As Dumps, **40%OFF Special Discount: Exam-Tests**)