

Cisco.300-515.v2023-09-07.q82

Exam Code:	300-515
Exam Name:	Implementing Cisco Service Provider VPN Services
Certification Provider:	Cisco
Free Question Number:	82
Version:	v2023-09-07
# of views:	894
# of Questions views:	820
https://www.freeqas.com/qa/Cisco/300-515/Cisco.300-515.v2023-09-07.q82.html	

NEW QUESTION: 1

R1

```
router bgp 65010
no bgp default ipv4-unicast
neighbor 192.168.1.1 remote-as 65010
address-family ipv4
neighbor 192.168.1.1 activate
```

Which statement describes the result of this BGP configuration?

- A. R1 establishes an iBGP relationship with peer 192.168.1.1.
- B. R1 operates using IPv4 and VPNv4 address families.
- C. R1 operates on IPv6 only because the bgp default ipv4-unicast command is missing.
- D. R1 establishes a VPNv4 eBGP relationship with neighbor 192.168.1.1.

Answer: A ([LEAVE A REPLY](#))

NEW QUESTION: 2

Refer to the exhibit.

```
Router 1:
vrf ciscotest
  address-family ipv4 unicast
    import route-target
      101:102
      301:202
    export route-target
      201:202
      401:402
```

An engineer has configured router 1 to provide shared services to clients behind router 2. To complete the implementation so that routes from router 1 are accepted, what must the engineer configure on router 2?

- A. with export route targets 301:202 and 101:102
- B. with export route targets 201:202 and 401:402
- C. with import route targets 101:102 and 202:201
- D. with import route targets 201:202 and 401:402

Answer: D ([LEAVE A REPLY](#))

NEW QUESTION: 3

Which VPN technology is an example of a full-mesh VPN?

- A. GRE VPN
- B. MPLS L3VPN
- C. VTI
- D. Frame Relay L2 VPN

Answer: B ([LEAVE A REPLY](#))

NEW QUESTION: 4

Refer to the exhibit. Which statement about this command is true?

```
mdt default mpls mldp 2.2.2.2
```

- A. It is used to set the router that will server as the root bridge for STP.
- B. It is used to set the designated router on a link using PIM-SM.
- C. It must be configured on the PE and CE router to enable MP-BGP to send labels for CSC.
- D. It must be configured on each PE router to enable the PE routers to receive multicast traffic for this particular MVRF.

Answer: (SHOW ANSWER)

NEW QUESTION: 5

Refer to the exhibit.

```
configure
router bgp 64520
  address-family 12vpn evpn
    neighbor 192.168.1.1

configure
12vpn
  xconnect group evpn-test
  p2p evpn12
  interface TenGigE0/1/0/1
  neighbor evpn evi 12 target 10 source 11
```

Which effect of this configuration is true?

- A. It configures VPWS multihomed.
- B. It configures VPWS single homed.
- C. It configures an IPv4 peering with 192.168.1.1
- D. It configures MPLS traffic engineering.

Answer: B (LEAVE A REPLY)

Reference:

<https://www.ciscolive.com/c/dam/r/ciscolive/emea/docs/2019/pdf/BRKSPG-2798.pdf>

NEW QUESTION: 6

An ISP provides a major client MPLS VPN for managed services. The MPLS engineering team needs to use the advanced VPN feature of selective VRF import so that only specific prefixes are present in the required VPNs.

Which aspect of this feature must the team consider?

- A. A route must pass the import route map first and then the route target import filter.
- B. The routes that are imported in the VRF can be BGP and IGP routes, so other match conditions in the route map, besides communities, can be used.
- C. The import-map command is applied under the PE interface that connects to the CE router.
- D. A route is imported into the VRF only when at least one RT that is attached to the route matches one RT that is configured in the VRF and the route is permitted by the import route map.

Answer: D (LEAVE A REPLY)

Reference:

<https://www.ccexpert.us/mpls/configuring-selective-vrf-import.html>

NEW QUESTION: 7

Which optional information can be included with an IPv6 ping to support the troubleshooting process?

- A. IPv4 IP address
- B. source MAC address
- C. destination MAC address
- D. IPv6 hostname

Answer: D (LEAVE A REPLY)

Reference:

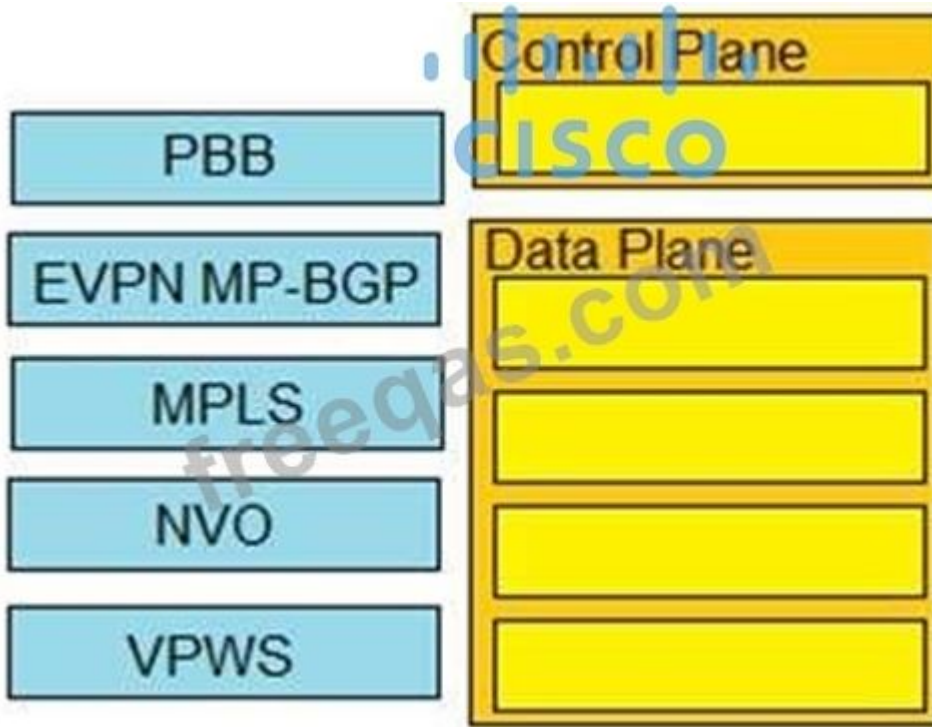
<<https://www.cisco.com/c/en/us/td/docs/ios-xml/ios/ipv6/configuration/xe-3s/ipv6-xe-36s-book/ip6-mng-apps.html>>

NEW QUESTION: 8

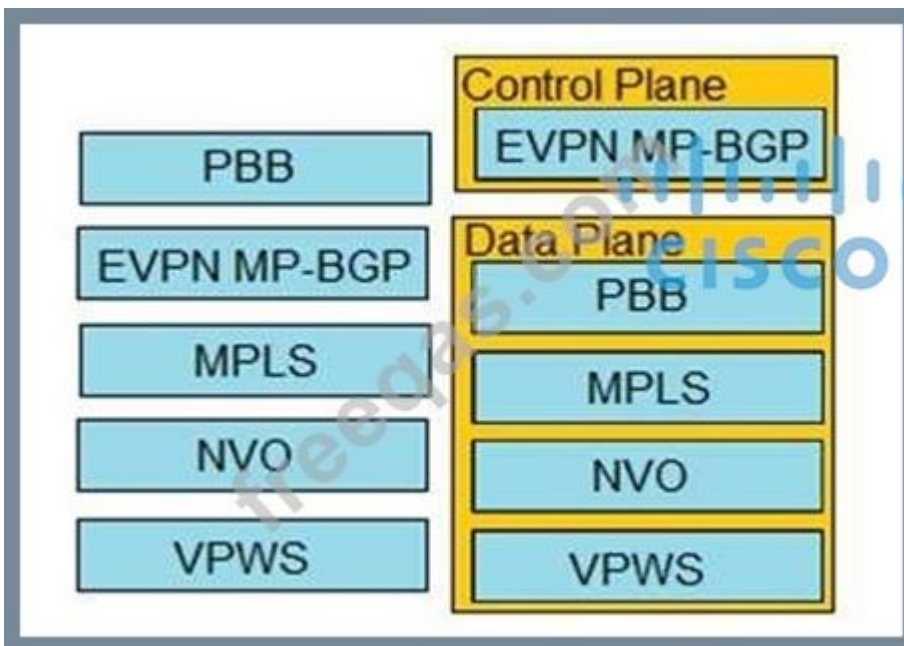
DRAG DROP

Drag and drop the EVPN components from the left onto the correct planes on the right.

Select and Place:



Answer:



Section: Layer 2 VPNs

Explanation/Reference: https://www.cisco.com/c/dam/m/en_us/network-intelligence/service-provider/digital-transformation/knowledge-network-webinars/pdfs/0420-epn-ckn.pdf slide 8

NEW QUESTION: 9

What must match in the EVPN and L2VPN configuration mode when configuring EVPN native in a router?

- A. interface
- B. address family
- C. bridge domain
- D. EVI

Answer: D (LEAVE A REPLY)

Reference: https://www.cisco.com/c/en/us/td/docs/routers/asr9000/software/asr9k-r6-2/lxvpn/configuration/guide/b-l2vpn-cg-asr9000-62x/b-l2vpn-cg-asr9000-62x_chapter_01011.html

NEW QUESTION: 10

Refer to the exhibit.

```
R1
router ospf 1 vrf custabc
 network 192.168.1.0 0.0.0.255 area 1
 redistribute bgp 65001 metric-type 1 subnets
```

Which statement describes the result of this configuration?

- A. R1 redistributes BGP routes into the OSPF process of VRF custabc as E1 routes.
- B. R1 mutually redistributes routes between BGP 65001 and the OSPF process of VRF custabc.
- C. R1 redistributes BGP routes into the OSPF process of VRF custabc as OIA routes.
- D. R1 redistributes BGP routes into the OSPF process of VRF custabc as E2 routes.

Answer: (SHOW ANSWER)

NEW QUESTION: 11

```
ip vrf mvpn-intranet
 rd 12:1
 vpn id 12:1
 route-target import 12:2
 route-target export 12:1
 mdt default mpls mldp 192.168.1.2
 exit
 ip multicast-routing vrf mvpn-intranet
```

Refer to the exhibit. Which statement about this configuration is true?

- A. Router 1 will accept multicast routes with a route-target of 12:1.
- B. 192.168.1.2 must be reachable by all routers participating in the mvpn-intranet MVRF.
- C. Router 1 has statically defined thresholds for data MDT.
- D. The MVRF must be configured on each router on the customer and service provider networks.

Answer: A (LEAVE A REPLY)

Section: Layer 3 VPNs

NEW QUESTION: 12

The network engineering group of a large ISP needs to harden the management plane of its Cisco 9000 Series ASRs.

While addressing IPv6 ICMP issues, they realized they have to limit the rate at which IPv6 ICMP error messages are sent out on the network.

Which command do they need to apply?

- A. icmp ipv6 rate-limit unreachable 1000

- B. ipv6 rate-limit 1000
- C. icmp ipv4 rate-limit unreachable 1000
- D. ipv6 icmp error-interval 50 20

Answer: D (LEAVE A REPLY)

https://www.cisco.com/c/en/us/td/docs/ios-xml/ios/ipv6_basic/configuration/xr-3s/ipv6b-xr-3s-book/ipv6-icmp-rate-lmt-xr.html

NEW QUESTION: 13

Refer to the exhibit. A network engineer is implementing an OSPF configuration.

Based on the output, which statement is true?

```
R1:
interface FastEthernet0/0
ip address 10.1.12.1 255.255.255.0
duplex full
end
|
|
|
R1(config)#interface FastEthernet0/0
R1(config-if)#ospfv3 1 area 1 ipv4
% IPv6 routing not enabled
```

- A. OSPFv3 cannot be configured for IPv4; OSPFv3 works only for IPv6.
- B. OSPFv3 does not run for IPv4 on FastEthernet0/0 until IPv6 routing is enabled on the router and IPv6 is enabled on interface FastEthernet0/0
- C. In the ospfv3 1 area 1 ipv4 command, area 0 must be configured instead of area 1.
- D. IPv6 routing not enabled is just an informational message and OSPFv3 runs for IPv4 on interface FastEthernet0/0 anyway

Answer: (SHOW ANSWER)

NEW QUESTION: 14

Refer to the exhibit.

```
ip vrf mvpn-intranet
rd 12:1
vpn id 12:1
route-target import 12:2
route-target export 12:1
mgt default mpls mldp 192.168.1.2
exit
ip multicast-routing vrf mvpn-intranet
```

Which statement about this configuration is true?

- A. Router 1 has statically defined thresholds for data MDT.
- B. The MVRF must be configured on each router on the customer and service provider networks.
- C. Router 1 will accept multicast routes with a route-target of 12:1.
- D. 192.168.1.2 must be reachable by all routers participating in the mvpn-intranet MVRF.

Answer: ([SHOW ANSWER](#))

NEW QUESTION: 15

A customer has two sites over an MPLS cloud with Ethernet connections and requires one STP domain to be transparent over the MPLS provider. Which label-switching technology can the provider use without getting involved in learning the customer MAC addresses?

- A. H-VPLS
- B. L2TPV3
- C. VPLS
- D. EoMPLS

Answer: D ([LEAVE A REPLY](#))

NEW QUESTION: 16

Which two statements describe primary differences between MPLS Layer 2 and Layer 3 VPNs? (Choose two.)

- A. Layer 2 VPNs use IPsec tunneling, but Layer 3 VPNs use L2TPv3 tunneling.
- B. Layer 2 VPNs use L2TPv3 tunneling, but Layer 3 VPNs use GRE tunneling.
- C. Layer 2 VPNs use AToM, but Layer 3 VPNs use MPLS/BGP.
- D. Layer 2 VPNs use IPsec tunneling, but Layer 3 VPNs use pseudowires to provide tunneling.
- E. Layer 2 VPNs use BGP, but Layer 3 VPNs use VPLS.

Answer: B,C ([LEAVE A REPLY](#))

Valid 300-515 Dumps shared by PrepPdf.com for Helping Passing 300-515 Exam! PrepPdf.com now offer the **newest 300-515 exam dumps**, the PrepPdf.com 300-515 exam **questions have been updated** and **answers have been corrected** get the **newest** PrepPdf.com 300-515 dumps with Test Engine here: <https://www.preppdf.com/Cisco/300-515-prepaway-exam-dumps.html> (87 Q&As Dumps, **40%OFF Special Discount: Exam-Tests**)

NEW QUESTION: 17

In Layer 3 MPLS VPN implementations, if some of the VPNv4 routes on one PE router do not appear on another PE router, what could be the problem?

- A. RD mismatch between the PE routers
- B. RT export and import configuration errors
- C. VRF name mismatch between the PE routers

D. RD export and import configuration errors

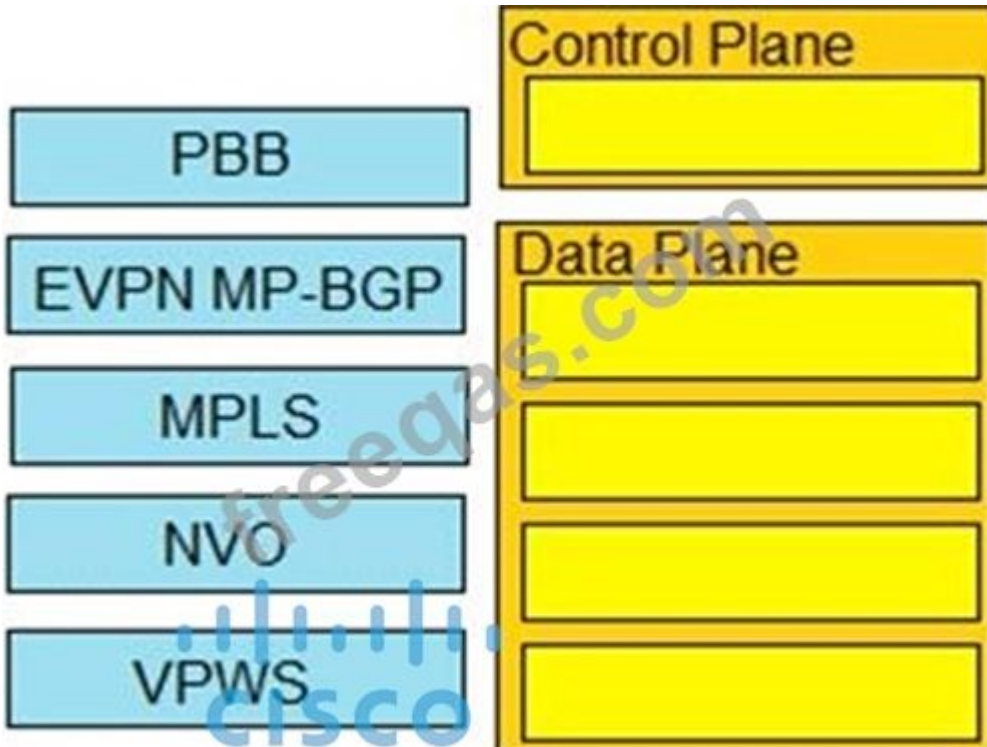
Answer: B ([LEAVE A REPLY](#))

Reference:

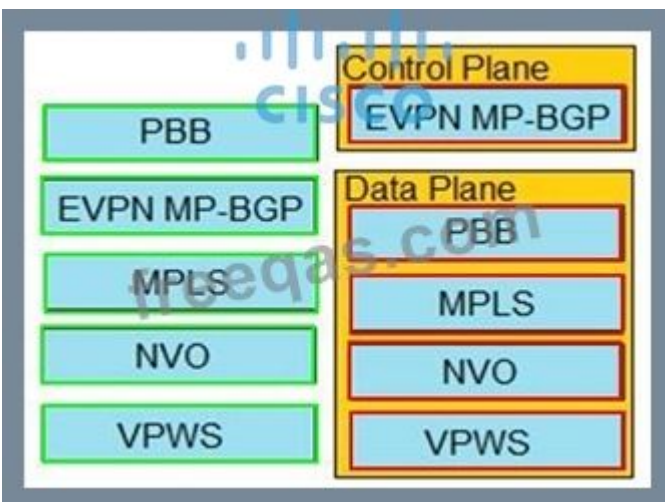
<http://blog.initialdraft.com/archives/1537/>

NEW QUESTION: 18

Drag and drop the EVPN components from the left onto the correct planes on the right.



Answer:



Reference:

https://www.cisco.com/c/dam/m/en_us/network-intelligence/service-provider/digital-transformation/knowledge-network-webinars/pdfs/0420-eqn-ckn.pdf slide 8

NEW QUESTION: 19

Refer to the exhibit.

```

ip vrf mvpn-extranet
  rd 12:1
  vpn id 12:1
  route-target import 12:2
  route-target export 12:3
  mdt default mpls mldp 192.168.1.2
exit
ip multicast-routing vrf mvpn-extranet

```

What is the effect of this configuration?

- A. An LSP virtual interface tunnel is created.
- B. A Cisco MPLS TE tunnel is generated with 192.168.1.2 as the source IP address of router 1.
- C. Router 1 accepts multicast routes with a tag of 12:1
- D. The mroute table is cleared.

Answer: C ([LEAVE A REPLY](#))

NEW QUESTION: 20

An ISP provides a major client MPLS VPN for managed services. The MPLS engineering team needs to use the advanced VPN feature of selective VRF import so that only specific prefixes are present in the required VPNs.

Which aspect of this feature must the team consider?

- A. A route is imported into the VRF only when at least one RT that is attached to the route matches one RT that is configured in the VRF and the route is permitted by the import route map.
- B. The import-map command is applied under the PE interface that connects to the CE router.
- C. A route must pass the import route map first and then the route target import filter.
- D. The routes that are imported in the VRF can be BGP and IGP routes, so other match conditions in the route map, besides communities, can be used.

Answer: A ([LEAVE A REPLY](#))

NEW QUESTION: 21

R1

```

router bgp 65010
no bgp default ipv4-unicast
neighbor 192.168.1.1 remote-as 65010
address-family ipv4
neighbor 192.168.1.1 activate

```

Which statement describes the result of this BGP configuration?

- A. R1 establishes an iBGP relationship with peer 192.168.1.1.
- B. R1 establishes a VPNv4 eBGP relationship with neighbor 192.168.1.1.
- C. R1 operates using IPv4 and VPNv4 address families.
- D. R1 operates on IPv6 only because the bgp default ipv4-unicast command is missing.

Answer: ([SHOW ANSWER](#))

NEW QUESTION: 22

What do EVPN single-active and all-active have in common?

- A. They are default gateway redundancy options.
- B. They are multihoming mechanisms used for CE devices.
- C. They are used to provide single connection from a CE device to a service provider.
- D. They are both roles that a designated router can take when MPLS is used with EVPN.

Answer: D ([LEAVE A REPLY](#))

Reference: https://www.cisco.com/c/en/us/td/docs/routers/asr9000/software/asr9k-r6-2/lxvpn/configuration/guide/b-l2vpn-cg-asr9000-62x/b-l2vpn-cg-asr9000-62x_chapter_01011.html

NEW QUESTION: 23

With Layer 3 MPLS VPN implementations on Cisco IOS XR PE routers, an interface is assigned to a VRF using the vrf command in which configuration mode?

- A. RP/0/RP0/CPU0:PE(config-bgp)#
- B. RP/0/RP0/CPU0:PE(config-if)#
- C. RP/0/RP0/CPU0:PE(config-bgp-af)#
- D. RP/0/RP0/CPU0:PE(config-vrf)#

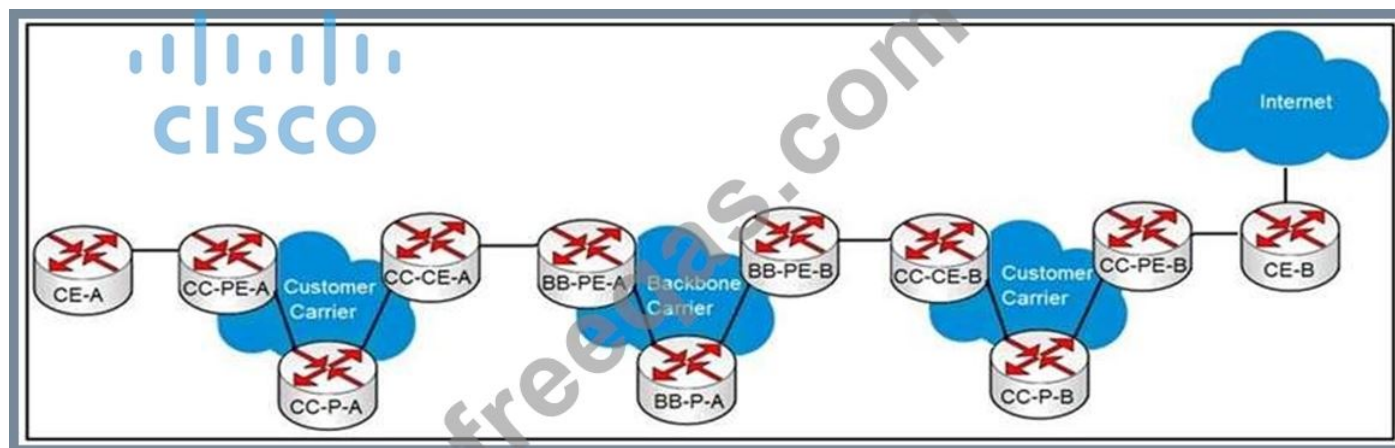
Answer: ([SHOW ANSWER](#))

Reference:

https://www.cisco.com/c/en/us/td/docs/ios_xr_sw/iosxr_r3-7/mpls/configuration/guide/gc37v3.html

NEW QUESTION: 24

Refer to the exhibit.



A customer carrier running MPLS VPN wants to utilize a backbone carrier to forward traffic and exchange VPNv4 prefixes between the two customer carriers networks depicted. Which two sets of routers must establish MP-iBGP sessions? (Choose two.)

- A. BB-PE-A and CC-PE-B
- B. CC-PE-A and CC-PE-B
- C. BB-PE-A and BB-PE-B

- D. CC-PE-A and BB-PE-A
- E. BB-PE-A and BB-P-A
- F. CC-PE-A and CC-P-A

Answer: (SHOW ANSWER)

Reference:

https://www.cisco.com/c/en/us/td/docs/ios-xml/ios/mp_ias_and_csc/configuration/12-2sx/mp-ias-and-csc-12-2sx-book/mp-carrier-bgp.html

NEW QUESTION: 25

Refer to the exhibit. If the two devices are operating normally, which two conclusions can you draw from this configuration? (Choose two.)

<pre> PE1 ip vrf celvpn rd 111:1 route-target export 111:1 route-target import 222:2 interface FastEthernet0/0/0 ip vrf forwarding celvpn ip address 192.168.0.1 255.255.255.0 router ospf 1 vrf celvpn network 192.168.0.0 0.0.0.255 area 1 </pre>	<pre> CE1 interface FastEthernet0/0/0 ip address 192.168.0.2 255.255.255.0 interface FastEthernet0/0/1 ip address 192.168.1.2 255.255.255.252 router ospf 100 network 192.168.0.0 0.0.0.255 area1 router bgp 65600 neighbor 192.168.1.1 remote-as 65600 </pre>
---	--

- A. CE1 must use OSPF to establish a neighbor relationship with PE1.
- B. PE1 labels the routes it learns from CE1 with the route-target 111:1 and shares them with its VPNv4 peers.
- C. CE1 is supporting CSC.
- D. The PE-CE routes between the devices are being exchanged by OSPF
- E. PE1 labels the routes it learns from CE1 with the route-target 222:2 and shares them with its VPNv4 peers.

Answer: A,D (LEAVE A REPLY)

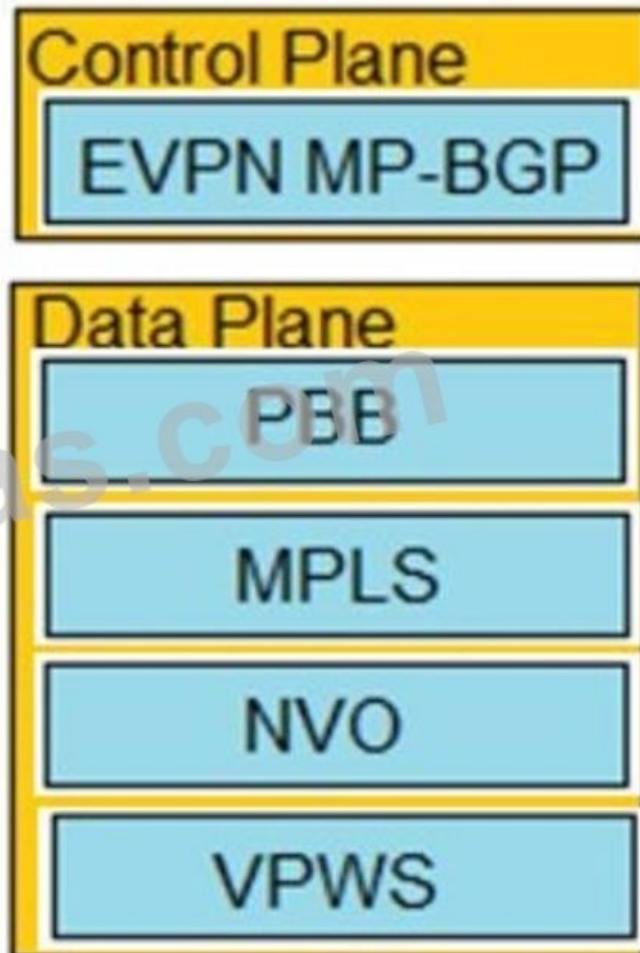
NEW QUESTION: 26

Drag and Drop Question

Drag and drop the EVPN components from the left onto the correct planes on the right.



Answer:



NEW QUESTION: 27

Which option is the primary purpose of central service MPLS VPNs?

- A. provide other service providers access to provider resources
- B. provide the provider access to customer resources while ensuring customers cannot communicate directly
- C. provide customer access to provider resources while ensuring customers cannot communicate directly
- D. provide other service providers access to customer resources

Answer: C ([LEAVE A REPLY](#))

NEW QUESTION: 28

```
configure
router bgp 64520
  address-family 12vpn evpn
    neighbor 192.168.1.1
```

```
configure
12vpn
  xconnect group evpn-test
  p2p evpn 12
    interface TenGigE0/1/0/1
      neighbor evpn evi 12 target 10 source 11
```

Which effect of this configuration is true?

- A. It configures VPWS multihomed.
- B. It configures VPWS single homed.
- C. It configures an IPv4 peering with 192.168.1.1
- D. It configures MPLS traffic engineering.

Answer: B (LEAVE A REPLY)

Reference: <https://www.ciscolive.com/c/dam/r/ciscolive/emea/docs/2019/pdf/BRKSPG-2798.pdf>

NEW QUESTION: 29

Refer to the exhibit:

```
R1:
interface FastEthernet0/0
ip address 10.1.12.1 255.255.255.0
duplex full
end
|
|
|
R1(config)#interface FastEthernet0/0
R1(config-if)#ospfv3 1 area 1 ipv4
% IPv6 routing not enabled
```

A network engineer is implementing an OSPF configuration Based on the output, which statement is true?

- A. In the ospfv3 1 area 1 ipv4 command, area 0 must be configured instead of area 1.
- B. "IPv6 routing not enabled" is just an informational message and OSPFv3 runs for IPv4 on interface FastEthernet0/0 anyway
- C. OSPFv3 cannot be configured for IPv4; OSPFv3 works only for IPv6.

D. OSPFv3 does not run for IPv4 on FastEthernet0/0 until IPv6 routing is enabled on the router and IPv6 is enabled on interface FastEthernet0/0

Answer: D (LEAVE A REPLY)

NEW QUESTION: 30

An ISP provides a major client MPLS VPN for managed services. The MPLS engineering team needs to use the advanced VPN feature of selective VRF import so that only specific prefixes are present in the required VPNs.

Which aspect of this feature must the team consider?

- A. A route must pass the import route map first and then the route target import filter.
- B. The routes that are imported in the VRF can be BGP and IGP routes, so other match conditions in the route map, besides communities, can be used.
- C. The import-map command is applied under the PE interface that connects to the CE router.
- D. A route is imported into the VRF only when at least one RT that is attached to the route matches one RT that is configured in the VRF and the route is permitted by the import route map.

Answer: D (LEAVE A REPLY)

Section: VPN Architecture

Explanation/Reference: <https://www.ccexpert.us/mpls/configuring-selective-vrf-import.html>

NEW QUESTION: 31

Refer to the exhibit. Which statement describes the result of this configuration?

```
R1
router ospf 1 vrf custabc
network 192.168.1.0 0.0.0.255 area 1
redistribute bgp 65001 metric-type 1 subnets
```

- A. R1 redistributes BGP routes into the OSPF process of VRF custabc as E1 routes.
- B. R1 mutually redistributes routes between BGP 65001 and the OSPF process of VRF custabc.
- C. R1 redistributes BGP routes into the OSPF process of VRF custabc as OIA routes.
- D. R1 redistributes BGP routes into the OSPF process of VRF custabc as E2 routes.

Answer: A (LEAVE A REPLY)

Valid 300-515 Dumps shared by PrepPdf.com for Helping Passing 300-515 Exam! PrepPdf.com now offer the **newest 300-515 exam dumps**, the PrepPdf.com 300-515 exam **questions have been updated** and **answers have been corrected** get the **newest** PrepPdf.com 300-515 dumps with Test Engine here: <https://www.preppdf.com/Cisco/300-515-prepaway-exam-dumps.html> (87 Q&As Dumps, **40%OFF Special Discount: Exam-Tests**)

NEW QUESTION: 32

Refer to the exhibit. Which effect of this configuration is true?

```
configure
router bgp 64520
  address-family 12vpn evpn
    neighbor 192.168.1.1

configure
12vpn
  xconnect group evpn-test
  p2p evpn12
  interface TenGigE0/1/0/1
  neighbor evpn evi 12 target 10 source 11
```

- A. It configures VPWS single homed.
- B. It configures MPLS traffic engineering.
- C. It configures VPWS multihomed.
- D. It configures an IPv4 peering with 192.168.1.1

Answer: A ([LEAVE A REPLY](#))

NEW QUESTION: 33

```
R1

router ospf 1 vrf custabc
  network 192.168.1.0 0.0.0.255 area 1
  redistribute bgp 65001 metric-type 1 subnets
```

Refer to the exhibit. Which statement describes the result of this configuration?

- A. R1 redistributes BGP routes into the OSPF process of VRF custabc as E1 routes.
- B. R1 redistributes BGP routes into the OSPF process of VRF custabc as E2 routes.
- C. R1 mutually redistributes routes between BGP 65001 and the OSPF process of VRF custabc.
- D. R1 redistributes BGP routes into the OSPF process of VRF custabc as OIA routes.

Answer: ([SHOW ANSWER](#))

Section: Layer 3 VPNs

NEW QUESTION: 34

What must match in the EVPN and L2VPN configuration mode when configuring EVPN native in a router?

- A. interface
- B. address family
- C. EVI

D. bridge domain

Answer: C ([LEAVE A REPLY](#))

NEW QUESTION: 35

Refer to the exhibit.

```
mdt default mpls mldp 2.2.2.2
```

Which statement about this command is true?

- A. It must be configured on each PE router to enable the PE routers to receive multicast traffic for this particular MVRP.
- B. It is used to set the designated router on a link using PIM-SM.
- C. It must be configured on the PE and CE router to enable MP-BGP to send labels for CSC.
- D. It is used to set the router that will server as the root bridge for STP.

Answer: A ([LEAVE A REPLY](#))

Reference: <https://www.cisco.com/c/en/us/td/docs/routers/asr1000/configuration/guide/chassis/asrswcfg/lsmmldp.html>

NEW QUESTION: 36

Refer to the exhibit. While provisioning a new BGP session between the PE and CE router, you issue the as-override command. Which statement describes modification of the prefix before being sent to the CE router (10.10.10.1)?

```
PE(config-router-af)#neighbor 10.10.10.1 local-as 100
PE(config-router-af)#neighbor 10.10.10.1 remote-as 65000
PE(config-router-af)#neighbor 10.10.10.1 as-override

PE#show ip bgp vpnv4 vrf BLUE 10.10.10.10/32
BGP routing table entry for 111:1234:10.10.10.10/32, version 624
Paths: (1 available, best #2, table BLUE)
  Advertised to update-groups:
    38      39
 65000 65100 65222 65000
 192.168.40.1 (metric 31410) from 192.168.10.1 (192.168.10.1)
  Origin incomplete, localpref 100, valid, internal, best
  Extended Community:  RT:111:1234
  Originator: 192.168.20.1, Cluster list: 192.168.30.1
  mpls labels in/out nlabel/1146
```

- A. The first and fourth autonomous systems change.
- B. The fourth AS changes, but no other autonomous systems change.
- C. The first AS changes, but no other autonomous systems change.
- D. The second and third autonomous systems change.

Answer: C ([LEAVE A REPLY](#))

NEW QUESTION: 37

Which two are characteristics of using a non-MPLS peer-to-peer model over a traditional overlay model? (Choose two.)

- A. The model is suited for nonredundant configurations.
- B. The configuration on a newly added site PE is updated automatically.
- C. Provider routers know the customer network topology.
- D. The customer specifies the exact site-to-site traffic profile.
- E. Routing information is exchanged between the customer router and one or a few PEs.

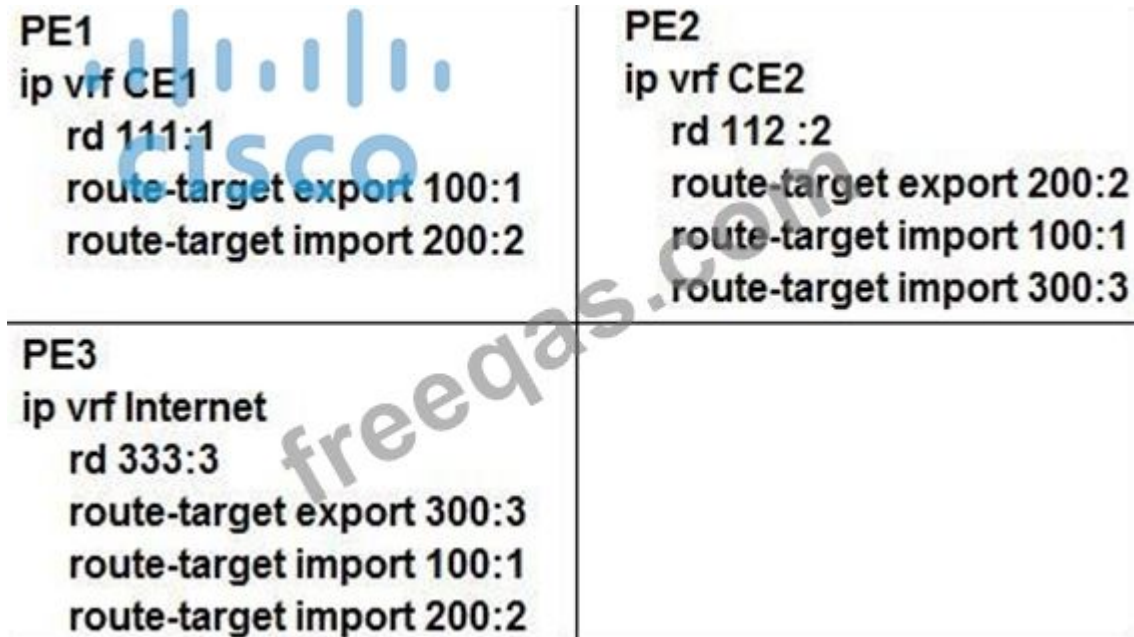
Answer: (SHOW ANSWER)

Reference:

<http://etutorials.org/Networking/MPLS+VPN+Architectures/Part+2+MPLS-based+Virtual+Private+Networks/Chapter+7.+Virtual+Private+Network+VPN+Implementation+Options/Overlay+and+Peer-to-peer+VPN+Model/>

NEW QUESTION: 38

Refer to the exhibit.



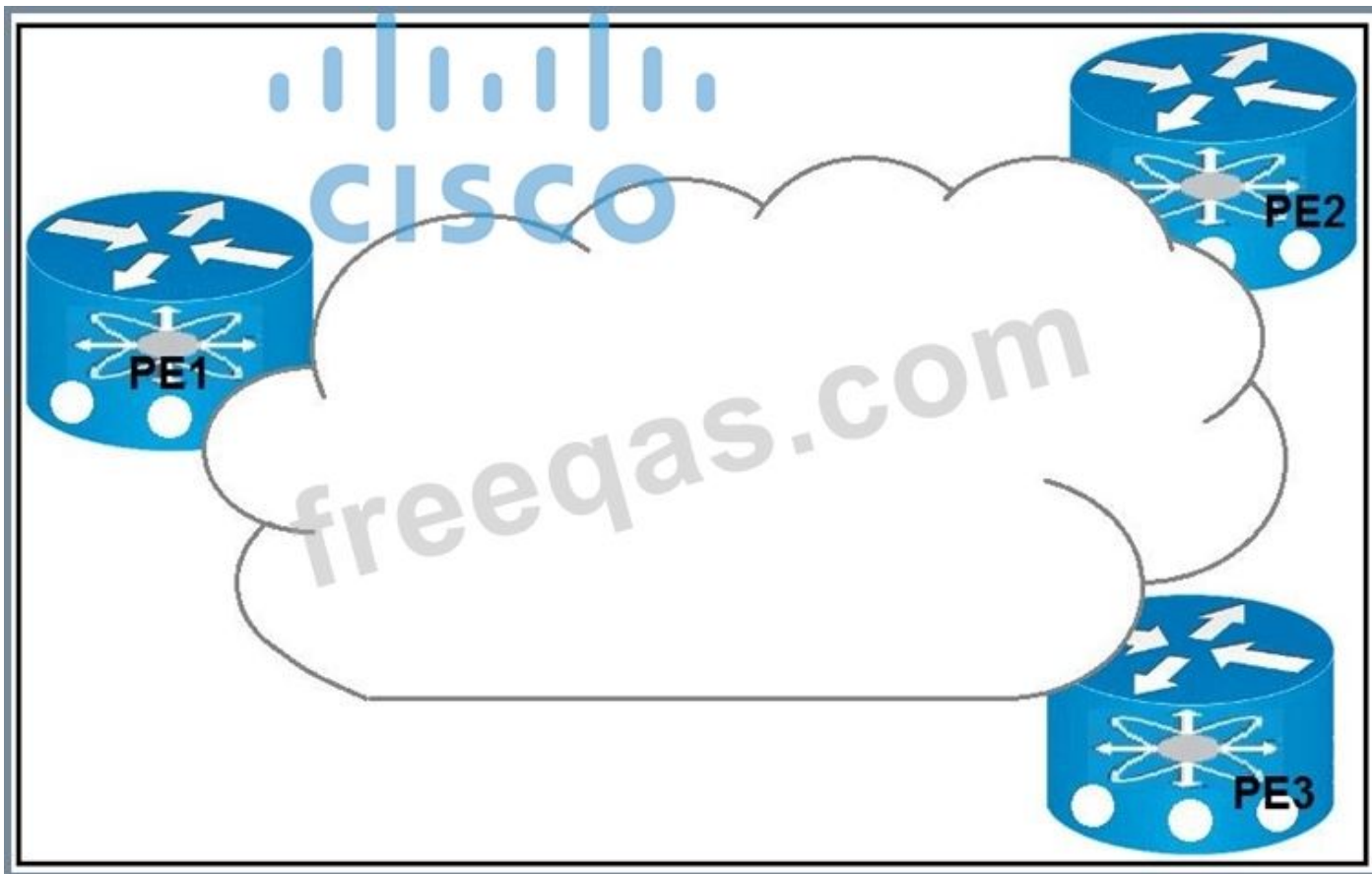
PE1 and PE2 are exchanging VPNv4 routes for CE1 and CE2, and PE3 contains the default route to the internet. If the three devices are operating normally, which two conclusions describe this configuration? (Choose two.)

- A. Only the CE2 VRF can access the default route provided by the Internet VRF.
- B. All three routers must be running a distance-vector routing protocol.
- C. The CE1 and CE2 VRFs can exchange routes only between their respective VRFs on PE1 and PE2.
- D. All three routers must be running MP-BGP.
- E. The CE1 and CE2 VRFs can access the default route provided by the Internet VRF.

Answer: C,D (LEAVE A REPLY)

NEW QUESTION: 39

Refer to the exhibit.



Which result occurs when PE1 learns a new MAC address and all three PEs are enabled with EVPN native?

- A. A system notification is sent to the network administrator that triggers the manual configuration of the new MAC address on PE2 and PE3.
- B. The new MAC address is sent by BGP to PE2 and PE3 as a Type 2 BGP route.
- C. The MAC address is entered into the CAM table and is classified for use on the native VLAN
- D. The MAC address is entered into the CAM table only if it is learned on the native VLAN.

Answer: ([SHOW ANSWER](#))

Reference:

https://www.cisco.com/c/en/us/td/docs/routers/asr9000/software/asr9k-r6-4/lxvpn/configuration/guide/b-l2vpn-cg-asr9000-64x/b-l2vpn-cg-asr9000-64x_chapter_01011.html

NEW QUESTION: 40

Refer to the exhibit.

```
Router 1:
interface loopback0
 192.168.10.1 255.255.255.0
router ospf 1
network 192.168.10.1 0.0.0.0 area 5
```

Refer to the exhibit Router 1 is a P router in the ISP MPLS core A connected P router cannot generate an MPLS label for the router 1 loopback0 interface Which action resolves this issue?

- A. The loopback0 interface must be in OSPF area 0.
- B. The OSPF network type must be changed on loopback0 to point-to-point
- C. The network statement under the routing process must have a wildcard mask of 0 0.0 255.
- D. A static route to null 0 must be added for the loopback interface and then static routes must be redistributed into OSPF

Answer: C (LEAVE A REPLY)

NEW QUESTION: 41

Refer to the exhibit:

```
R1:
interface FastEthernet0/0
ip address 10.1.12.1 255.255.255.0
duplex full
end
R1(config)#interface FastEthernet0/0
R1(config-if)#ipv4
% IPv6 routing not enabled
```

A network engineer is implementing an OSPF configuration Based on the output, which statement is true?

- A. OSPFv3 does not run for IPv4 on FastEthernet0/0 until IPv6 routing is enabled on the router and IPv6 is enabled on interface FastEthernet0/0
- B. OSPFv3 cannot be configured for IPv4; OSPFv3 works only for IPv6.
- C. In the ospfv3 1 area 1 ipv4 command, area 0 must be configured instead of area 1.
- D. IPv6 routing not enabled" is just an informational message and OSPFv3 runs for IPv4 on interface FastEthernet0/0 anyway

Answer: A (LEAVE A REPLY)

NEW QUESTION: 42

With Layer 3 MPLS VPN implementations on Cisco IOS XR PE routers, an interface is assigned to a VRF using the vrf command in which configuration mode?

- A. RP/0/RP0/CPU0:PE(config-bgp)#
- B. RP/0/RP0/CPU0:PE(config-if)#

C. RP/0/RP0/CPU0:PE(config-bgp-af)#

D. RP/0/RP0/CPU0:PE(config-vrf)#

Answer: B (LEAVE A REPLY)

Section: Layer 3 VPNs

Explanation/Reference:

https://www.cisco.com/c/en/us/td/docs/ios_xr_sw/iosxr_r3-7/mpls/configuration/guide/gc37v3.html

NEW QUESTION: 43

Refer to the exhibit.



An engineer has configured router 1 to provide shared services to clients behind router 2. To complete the implementation so that routes from router 1 are accepted, what must the engineer configure on router 2?

A. with export route targets 301:202 and 101:102

B. with import route targets 201:202 and 401:402

C. with export route targets 201:202 and 401:402

D. with import route targets 101:102 and 202:201

Answer: B (LEAVE A REPLY)

NEW QUESTION: 44

An engineer is troubleshooting an ongoing network outage. Which command should he use that can display the live log files for a process or service running on a network device?

A. ping

B. debug

C. traceroute

D. show run

Answer: B (LEAVE A REPLY)

NEW QUESTION: 45

Refer to the exhibit.

```
Router 1:
router bgp 65515
no bgp default ipv4-unicast
bgp router-id 192.168.0.1
neighbor 191.168.0.2 remote-as 65515

address-family ipv4
neighbor 191.168.0.2 route-reflector-client

address-family vpnv4
neighbor 191.168.0.2 activate
neighbor 100.1.3.3 send-community extended
```

Router 1 is a route reflector client within a service provider core PE1 cannot see VPNv4 routes received from the ASBR PE1 only has an iBGP relationship with Router 1. Which action resolves this issue?

- A. Activate PE1 as a neighbor under the IPv4 address family.
- B. Configure PE1 to have an eBGP relationship with Router 1.
- C. Configure Router 1 as a route reflector for PE1 under the VPNv4 address family.
- D. Enable BGP default ipv4-unicast

Answer: C (LEAVE A REPLY)

NEW QUESTION: 46

Refer to the exhibit. The CE router has established a BGP peering with the PE router, and the CE will use the core infrastructure of the PE as a backbone carrier to support CSC.

Which additional task can you perform to complete the configuration?

```
CE Router

router bgp 65001
  address-family ipv4 unicast
    redistribute ospf 1
    allocate-label all
  neighbor 192.168.1.25
    remote-as 65012

PE Router

router bgp 65012
  vrf custrouter
    rd 65001:65012
  address-family ipv4 unicast
    allocate-label all
    redistribute static
  neighbor 192.168.1.24
    remote-as 65001
  address-family ipv4 labeled-unicast
```

- A. Configure the address-family ipv4 labeled-unicast command under the neighbor configuration of the CE router for the PE.
- B. Configure OSPF on the PE router.
- C. Change the rd value to 65001:65001 under the VRF section of the PE router.
- D. Configure static routing on the CE router.

Answer: B (LEAVE A REPLY)

Valid 300-515 Dumps shared by PrepPdf.com for Helping Passing 300-515 Exam! PrepPdf.com now offer the **newest 300-515 exam dumps**, the PrepPdf.com 300-515 exam **questions have been updated** and **answers have been corrected** get the **newest** PrepPdf.com 300-515 dumps with Test Engine here: <https://www.preppdf.com/Cisco/300-515-prepaway-exam-dumps.html> (87 Q&As Dumps, **40%OFF Special Discount: Exam-Tests**)

NEW QUESTION: 47

How does Layer 3 VPN traffic traverse an ISP network?

- A. Devices on the network use GRE tunnels to move traffic between VRFs.
- B. Devices on the network use MPLS labels to share VPN routes between P routers in the network.
- C. Devices on the network use LSAs to share routes between P routers in the network.
- D. Devices on the network use MPLS labels to move VPN traffic through the network.

Answer: (SHOW ANSWER)

NEW QUESTION: 48

Which two BGP attributes prevent loops in a route reflector environment? (Choose two.)

- A. cluster ID
- B. local preference
- C. origin
- D. originator ID
- E. AS_PATH

Answer: A,D (LEAVE A REPLY)

Reference: <https://www.ciscopress.com/articles/article.asp?p=2756480&seqNum=10>

NEW QUESTION: 49

Which statement describes the no bgp default route-target filter

- A. Prefixes that are received with route targets that are not imported at the PE are not accepted.
- B. Prefixes that are received with route targets and distinguisher are accepted.
- C. Prefixes that are received with route targets that are not imported at the PE are accepted.
- D. Prefixes that are received with route targets and distinguisher are not accepted.

Answer: (SHOW ANSWER)

NEW QUESTION: 50

An ISP provides a major client MPLS VPN for managed services. The MPLS engineering team needs to use the advanced VPN feature of selective VRF import so that only specific prefixes are present in the required VPNs.

Which aspect of this feature must the team consider?

- A. A route must pass the import route map first and then the route target import filter.
- B. The routes that are imported in the VRF can be BGP and IGP routes, so other match conditions in the route map, besides communities, can be used.
- C. The import-map command is applied under the PE interface that connects to the CE router.
- D. A route is imported into the VRF only when at least one RT that is attached to the route matches one RT that is configured in the VRF and the route is permitted by the import route map.

Answer: D (LEAVE A REPLY)

Reference: <https://www.ccexpert.us/mpls/configuring-selective-vrf-import.html>

NEW QUESTION: 51

An engineer is troubleshooting AToM on an IOS XE router and receives an error when creating the xconnect.

Which command does he need to complete to create the xconnect in AToM?

- A. protocol 12tpv3
- B. encapsulation 12tpv3
- C. protocol none
- D. encapsulation mpls

Answer: D ([LEAVE A REPLY](#))

NEW QUESTION: 52

Refer to the exhibit. An engineer is trying to configure an EVPN VWPS. What is the issue with this configuration?

```
interface Loopback0
  ip address 1.1.1.1 255.255.255.255
  ip ospf 1 area 0
!
interface GigabitEthernet0/1/0
  ip address 10.0.2.1 255.255.255.252
!
service instance 101 ethernet
  encapsulation dot1q 101
  rewrite ingress tag pop 1 symmetric
  12vpn evpn instance 100 point-to-point
!
  vpws context vc100
  service target 2 source 1
  member GigabitEthernet0/1/0 service-instance 101
!
interface GigabitEthernet0/1/1
  ip address 10.0.1.1 255.255.255.0
  ip ospf 1 area 0
  mpls ip
!
router bgp 65500
  bgp router-id 1.1.1.1
  neighbor 2.2.2.2 remote-as 65501
  neighbor 2.2.2.2 update-source Loopback0
!
  address-family ipv4
    neighbor 2.2.2.2 activate
  exit-address-family
!
  address-family 12vpn evpn
    neighbor 2.2.2.2 activate
  exit-address-family
!
  12vpn evpn instance 100 point-to-point
!
  vpws context vc100
    service target 2 source 1
    member GigabitEthernet0/0/0
!
```

A. Interface GigabitEthernet0/1/0 should not have any IP address.

- B. The 12vpn evpn command should be instance 101.
- C. The service instance and the EVPN instance are different.
- D. The member in the VPWS context should be the PE-facing interface.

Answer: A (LEAVE A REPLY)

NEW QUESTION: 53

DRAG DROP

```
interface GigabitEthernet0/1
switchport trunk allowed vlan none
switchport mode trunk
service instance 2 ethernet
encapsulation dot1q 10
xconnect 192.168.2.2 22 encapsulation mpls
```

Refer to the exhibit. Drag and drop the EVC configuration items from the left onto the correct descriptions on the right.

Select and Place:

switchport mode trunk	It denies globally defined VLANs from egressing and ingressing the port.
service instance 2 ethernet	It allows the port to operate as an 802.1q trunk.
switchport trunk allowed vlan none	It classifies traffic under a defined process.
xconnect 192.168.2.2 22 encapsulation mpls	It allows the port to process VLAN 10 traffic in Service Instance 2.
encapsulation dot1q 10	It defines the pseudowire parameters.

Answer:

switchport mode trunk	switchport trunk allowed vlan none
service instance 2 ethernet	switchport mode trunk
switchport trunk allowed vlan none	service instance 2 ethernet
xconnect 192.168.2.2 22 encapsulation mpls	encapsulation dot1q 10
encapsulation dot1q 10	xconnect 192.168.2.2 22 encapsulation mpls

Section: Layer 2 VPNs

NEW QUESTION: 54

Which utility can you use to validate an LSP in an MPLS environment?

- A. uRPF
- B. MPLS LSP ping
- C. logging

D. RSVP

Answer: ([SHOW ANSWER](#))

Section: VPN Architecture

NEW QUESTION: 55

Refer to the exhibit.

```
R1#sho run sec router isis
ip router isis
router isis
net 49.0002.1010.2021.00
is-type level-1
spf-interval 110

R2#sho run sec router isis
ip router isis
router isis
net 49.0001.1010.2020.00
is-type level-2-only
set-overload-bit
spf-interval 100
redistribute static ip
```

A technician is troubleshooting a connectivity issue and notices that there is no IS-IS adjacency between R1 and R2. What can the technician change to bring the IS-IS adjacency up?

- A. Change R1's is-type to level-2-only
- B. Change R2's configuration to no longer set the overload bit.
- C. Change R2's net address to be in the same area as R1.
- D. Change R1's net address to be in the same area as R2.

Answer: A ([LEAVE A REPLY](#))

NEW QUESTION: 56

The network engineering group of a large ISP needs to harden the management plane of its Cisco 9000 Series ASRs. While addressing IPv6 ICMP issues, they realized they have to limit the rate at which IPv6 ICMP error messages are sent out on the network. Which command do they need to apply?

- A. icmp ipv6 rate-limit unreachable 1000
- B. ipv6 rate-limit 1000
- C. icmp ipv4 rate-limit unreachable 1000
- D. ipv6 icmp error-interval 50 20

Answer: ([SHOW ANSWER](#))

Section: IPv6 VPNs

Explanation/Reference: https://www.cisco.com/c/en/us/td/docs/ios-xml/ios/ipv6_basic/configuration/xs-3s/ip6b-xe-3s-book/ip6-icmp-rate-lmt-xe.html

NEW QUESTION: 57

While troubleshooting an AToM L2VPN service, a network consultant notices that the AC Layer 2 encapsulations are different. Which action should the consultant take in order to make the MPLS L2VPN work?

- A. tag-rewrite on the ingress and egress PE router
- B. interworking IP configuration on the last PE router before label disposition
- C. nonrouted interworking setup to properly translate only the Layer 2 information from the AC
- D. interworking IP configuration on both the AC terminations on the PEs

Answer: D (LEAVE A REPLY)

Reference:

https://www.cisco.com/c/en/us/td/docs/ios-xml/ios/mp_l2_vpns/configuration/xe-16-11/mp-l2-vpns-xe-16-11-book/l2vpn-interworking.html

NEW QUESTION: 58

An engineer is troubleshooting an EoMPLS circuit on a Cisco IOS XR router interface that removes a VLAN from the distribution layer. Which configuration should the engineer apply in order to accomplish the task?

- A. interface GigabitEthernet 0/10.10
encapsulation dot1q 10
rewrite ingress tag pop 1 symmetric
l2vpn
xconnect group 103588
p2p 103588
interface GigabitEthernet 0/10.10
neighbor ipv4 10.10.10.2 pw-id 103588
- B. interface GigabitEthernet 0/10.l2transport
encapsulation dot1q 10
rewrite ingress tag pop 1 symmetric
l2vpn
xconnect group 103588
p2p 103588
interface GigabitEthernet 0/10.10
neighbor ipv4 10.10.10.2 pw-id 103588
- C. interface GigabitEthernet 0/10.10 l2transport
encapsulation dot1q 10
rewrite ingress tag translate 1-to-1 dot1ad 10
symmetric
l2vpn
xconnect group 103588
p2p 103588
interface GigabitEthernet 0/10.10
neighbor ipv4 10.10.10.2 pw-id 103588

```
D. interface GigabitEthernet 0/10.10 l2transport
encapsulation dot1q 10
l2vpn
xconnect group 103588
p2p 103588
interface GigabitEthernet 2/10.10
neighbor ipv4 10.10.10.2 pw-id 103588
```

Answer: D ([LEAVE A REPLY](#))

NEW QUESTION: 59

Which tool identifies the point of failure in a P2MP LSP from the ingress LSR?

- A. P2MP ping
- B. SPAN
- C. P2MP traceroute
- D. Jitter TLV

Answer: C ([LEAVE A REPLY](#))

NEW QUESTION: 60

Refer to the exhibit.

```
interface Loopback0
  ip address 1.1.1.1 255.255.255.255
  ip ospf 1 area 0
!
interface GigabitEthernet0/1/0
  ip address 10.0.2.1 255.255.255.252
!
service instance 101 ethernet
  encapsulation dot1q 101
  rewrite ingress tag pop 1 symmetric

  12vpn evpn instance 100 point-to-point
!
vpws context vc100
  service target 2 source 1
  member GigabitEthernet0/1/0 service-instance 101
!
interface GigabitEthernet0/1/1
  ip address 10.0.1.1 255.255.255.0
  ip ospf 1 area 0
  mpls ip
!
router bgp 65500
  bgp router-id 1.1.1.1
  neighbor 2.2.2.2 remote-as 65501
  neighbor 2.2.2.2 update-source Loopback0
!
address-family ipv4
  neighbor 2.2.2.2 activate
  exit-address-family
!
```

```

address-family 12vpn evpn
  neighbor 2.2.2.2 activate
exit-address-family
!
12vpn evpn instance 100 point-to-point
!
vpws context vc100
  service target 2 source 1
  member GigabitEthernet0/0/0
!

```



An engineer is trying to configure an EVPN VVWS. What is the issue with this configuration?

- A. The member in the VPWS context should be the PE-facing interface.
- B. The 12vpn evpn command should be instance 101.
- C. Interface GigabitEthernet0/1/0 should not have any IP address.
- D. The service instance and the EVPN instance are different.

Answer: C (LEAVE A REPLY)

Reference:

https://www.cisco.com/c/en/us/td/docs/ios-xml/ios/mp_l2_vpns/configuration/xe-3s/asr903/16-7-1/b-mpls-l2-vpns-xe-16-7-asr900/epvn_vpws_single_homed.pdf

NEW QUESTION: 61

Refer to the exhibit.

```

mdt default mpls mldp 2.2.2.2

```

Which statement about this command is true?

- A. It must be configured on each PE router to enable the PE routers to receive multicast traffic for this particular MVRP.
- B. It is used to set the designated router on a link using PIM-SM.
- C. It must be configured on the PE and CE router to enable MP-BGP to send labels for CSC.
- D. It is used to set the router that will server as the root bridge for STP.

Answer: A (LEAVE A REPLY)

Reference:

<https://www.cisco.com/c/en/us/td/docs/routers/asr1000/configuration/guide/chassis/asrswcfg/lsmmldp.html>

Valid 300-515 Dumps shared by PrepPdf.com for Helping Passing 300-515 Exam! PrepPdf.com now offer the **newest 300-515 exam dumps**, the PrepPdf.com 300-515 exam **questions have been updated** and **answers have been corrected** get the **newest** PrepPdf.com 300-515 dumps with Test Engine here: <https://www.preppdf.com/Cisco/300-515-prepaway-exam-dumps.html> (87 Q&As Dumps, **40%OFF Special Discount: Exam-Tests**)

NEW QUESTION: 62

Which two frames can be configured on an Ethernet flow point? (Choose two.)

- A. of a specific VLAN
- B. with different type of service values
- C. with identical type of service value
- D. with different class of service values
- E. with no tags

Answer: A,E (LEAVE A REPLY)

Reference:

<https://www.cisco.com/c/en/us/td/docs/ios-xml/ios/cether/configuration/xe-3s/asr903/16-5-1/b-ce-xe-16-5-asr900/trunk-efp-support.html>

NEW QUESTION: 63

While configuring the VRF Selection feature, you get an error message after typing the below statement:

```
Router(config)#no vrf selection source 172.16.0.0 255.255.0.0 vrf VRF1
```

Which action caused this message?

- A. the entry of an inconsistent IP address and mask for VRF Selection
- B. an attempt to configure a VRF instance on an interface that already has VRF Selection configured
- C. an attempt to remove a VRF Selection entry that does not exist
- D. an attempt to configure a VRF Selection table that does not exist

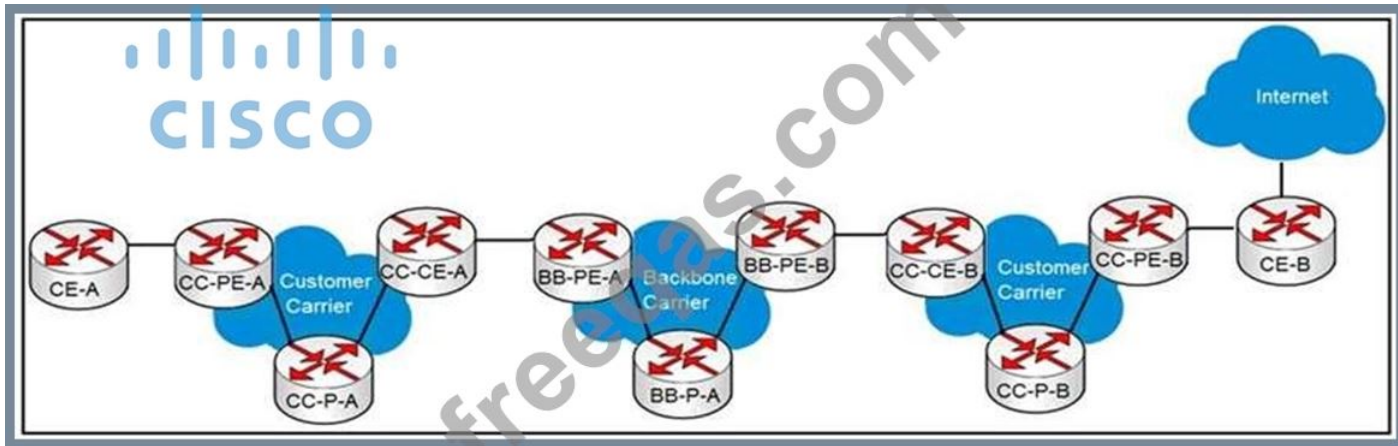
Answer: C (LEAVE A REPLY)

Reference:

https://www.cisco.com/c/en/us/td/docs/ios/12_2/12_2sz/feature/guide/122szvrf.html

NEW QUESTION: 64

Refer to the exhibit.



A customer carrier running MPLS VPN wants to utilize a backbone carrier to forward traffic and exchange VPNv4 prefixes between the two customer carrier networks depicted. Which two sets of routers must establish MP-iBGP sessions? (Choose two.)

- A. BB-PE-A and CC-PE-B
- B. CC-PE-A and CC-PE-B
- C. BB-PE-A and BB-PE-B
- D. CC-PE-A and BB-PE-A
- E. BB-PE-A and BB-P-A
- F. CC-PE-A and CC-P-A

Answer: (SHOW ANSWER)

Reference:

https://www.cisco.com/c/en/us/td/docs/ios-xml/ios/mp_ias_and_csc/configuration/12-2sx/mp-ias-and-csc-12-2sx-book/mp-carrier-bgp.html

NEW QUESTION: 65

An engineer is troubleshooting AToM on an IOS XE router and receives an error when creating the xconnect. Which command does he need to complete to create the xconnect in AToM?

- A. encapsulation 12tpv3
- B. protocol none
- C. protocol 12tpv3
- D. encapsulation mpls

Answer: D (LEAVE A REPLY)

NEW QUESTION: 66

An engineer is investigating an EVPN traffic flow issue. Which type of traffic should the engineer allow in an EVPN Tree Service in order to fix this issue?

- A. known unicast from a leaf to another leaf
- B. unknown unicast from a leaf to another leaf
- C. multicast from a leaf to another leaf
- D. known unicast from a root to another root

Answer: (SHOW ANSWER)

Reference: <https://tools.ietf.org/html/draft-ietf-bess-evpn-etree-14>

NEW QUESTION: 67

A network engineer is implementing Layer 3 MPLS VPNs on Cisco IOS/IOS XE PE routers. Which PE-to-CE routing protocol requires a separate routing process to be created for each VRF?

- A. RIPv2
- B. OSPF
- C. BGP
- D. EIGRP

Answer: B ([LEAVE A REPLY](#))

Section: Layer 3 VPNs

NEW QUESTION: 68

An engineer is troubleshooting an EoMPLS circuit on a Cisco IOS XR router interface that removes a VLAN from the distribution layer. Which configuration should the engineer apply in order to accomplish the task?

- A. interface GigabitEthernet 0/10.l2transport
encapsulation dot1q 10
rewrite ingress tag pop 1 symmetric
l2vpn
xconnect group 103588
p2p 103588
interface GigabitEthernet 0/10.10
neighbor ipv4 10.10.10.2 pw-id 103588
- B. interface GigabitEthernet 0/10.10
encapsulation dot1q 10
rewrite ingress tag pop 1 symmetric
l2vpn
xconnect group 103588
p2p 103588
interface GigabitEthernet 0/10.10
neighbor ipv4 10.10.10.2 pw-id 103588
- C. interface GigabitEthernet 0/10.10 l2transport
encapsulation dot1q 10
l2vpn
xconnect group 103588
p2p 103588
interface GigabitEthernet 2/10.10
neighbor ipv4 10.10.10.2 pw-id 103588
- D. interface GigabitEthernet 0/10.10 l2transport
encapsulation dot1q 10
rewrite ingress tag translate 1-to-1 dot1ad 10
symmetric

```
l2vpn
xconnect group 103588
p2p 103588
interface GigabitEthernet 0/10.10
neighbor ipv4 10.10.10.2 pw-id 103588
```

Answer: ([SHOW ANSWER](#))

Section: Layer 2 VPNs

NEW QUESTION: 69

Refer to the exhibit.

```
R1
vfi ciscotest manual
vpn id 101
neighbor 192.168.1.2 encapsulation mpls
neighbor 192.168.10.2 encapsulation mpls
neighbor 192.168.20.2 encapsulation mpls
```

An organization is running H-VPLS on a network comprising four routers in a hub-and-spoke topology with R1 as the hub. An engineer added a new spoke with multiple VCs to the network, and now traffic cannot flow properly. How should the engineer update the configuration on R1 to correct the problem?

- A. Disable spanning tree to allow loops to occur within the hub-and-spoke topology.
- B. Disable split horizon to allow multiple VCs per spoke.
- C. Disable Cisco Discovery Protocol to allow for neighbor discovery.
- D. Disable Cisco Discovery Protocol to allow MPLS to share labels between the designated spokes.

Answer: ([SHOW ANSWER](#))

NEW QUESTION: 70

Refer to the exhibit. Router 1 is a P router in the ISP MPLS core.

A connected P router cannot generate an MPLS label for the router 1 loopback0 interface.

Which action resolves this issue?

```
Router 1:
interface loopback0
192.168.10.1 255.255.255.0
router ospf 1
network 192.168.10.1 0.0.0.0 area 5
```

- A. A static route to null 0 must be added for the loopback interface and then static routes must be redistributed into OSPF.
- B. The loopback0 interface must be in OSPF area 0.
- C. The OSPF network type must be changed on loopback0 to point-to-point.
- D. The network statement under the routing process must have a wildcard mask of 0.0.0.255.

Answer: ([SHOW ANSWER](#))

NEW QUESTION: 71

Refer to the exhibit.

```

R1
vfi ciscotest manual
vpn id 101
neighbor 192.168.1.2 encapsulation mpls
neighbor 192.168.10.2 encapsulation mpls
neighbor 192.168.20.2 encapsulation mpls

```

An organization is running H-VPLS on a network comprising four routers in a hub-and-spoke topology with R1 as the hub. An engineer added a new spoke with multiple VCs to the network, and now traffic cannot flow properly. How should the engineer update the configuration on R1 to correct the problem?

- A. Disable Cisco Discovery Protocol to allow for neighbor discovery
- B. Disable Cisco Discovery Protocol to allow MPLS to share labels between the designated spokes
- C. Disable split horizon to allow multiple VCs per spoke
- D. Disable spanning tree to allow loops to occur within the hub-and-spoke topology.

Answer: C (LEAVE A REPLY)

NEW QUESTION: 72

<pre> PE1 ip vrf celvpn rd 111:1 route-target export 111:1 route-target import 222:2 interface FastEthernet0/0/0 ip vrf forwarding celvpn ip address 192.168.0.1 255.255.255.0 router ospf 1 vrf celvpn network 192.168.0.0 0.0.0.255 area 1 </pre>	<pre> CE1 interface FastEthernet0/0/0 ip address 192.168.0.2 255.255.255.0 interface FastEthernet0/0/1 ip address 192.168.1.2 255.255.255.252 router ospf 100 network 192.168.0.0 0.0.0.255 area 1 router bgp 65600 neighbor 192.168.1.1 remote-as 65600 </pre>
---	---

If the two devices are operating normally, which two conclusions can you draw from this configuration? (Choose two.)

- A. CE1 is supporting CSC.
- B. CE1 must use OSPF to establish a neighbor relationship with PE1.
- C. The PE-CE routes between the devices are being exchanged by OSPF
- D. PE1 labels the routes it learns from CE1 with the route-target 222:2 and shares them with its VPNv4 peers.
- E. PE1 labels the routes it learns from CE1 with the route-target 111:1 and shares them with its VPNv4 peers.

Answer: B,C (LEAVE A REPLY)

NEW QUESTION: 73

Which BGP feature causes to replace the AS number of originating router with the AS number of the sending router?

- A. route reflectors
- B. route dampening

C. confederations

D. AS override

Answer: D (LEAVE A REPLY)

Reference:

<<https://community.cisco.com/t5/networking-documents/understanding-bgp-as-override-feature/tap/3111967>>

NEW QUESTION: 74

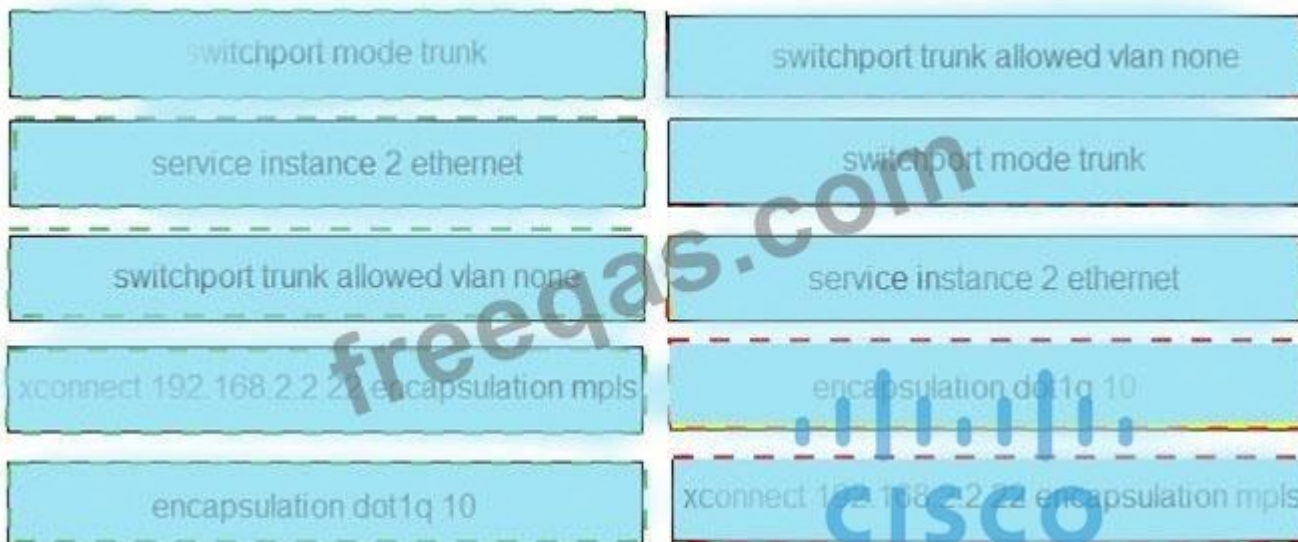
Refer to the exhibit.

```
interface GigabitEthernet0/1
switchport trunk allowed vian none
switchport mode trunk
service instance 2 ethernet
encapsulation dot1q 10
xconnect 192.168.2.2 22 encapsulation mpls
```

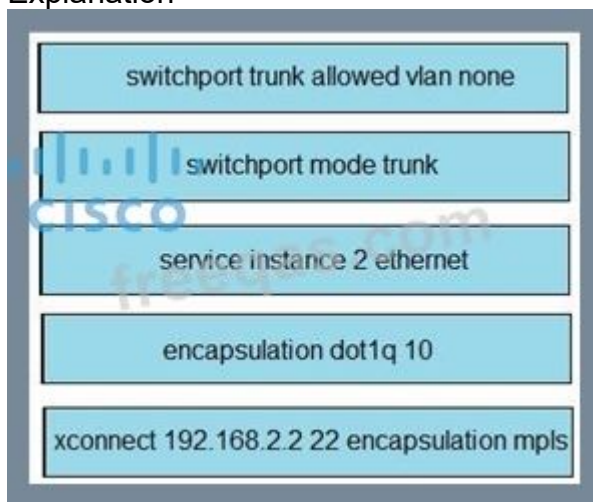
Drag and drop the EVC configuration items from the left onto the correct descriptions on the right.

switchport mode trunk	It denies globally defined VLANs from egressing and ingressing the port.
service instance 2 ethernet	It allows the port to operate as an 802.1q trunk.
switchport trunk allowed vian none	It classifies traffic under a defined process.
xconnect 192.168.2.2 22 encapsulation mpls	It allows the port to process VLAN 10 traffic in Service Instance 2.
encapsulation dot1q 10	It defines the pseudowire parameters.

Answer:



Explanation



NEW QUESTION: 75

You are writing the requirements for an MPLS L3VPN environment that uses MP-BGP between PE routers. In this environment, route targets and route distinguishers need to be advertised between the PE routers.

Which three operations meet these requirements? (Choose three.)

- A. advertisement of extended communities, enabled on the PE-to-PE BGP neighbors
- B. creation of PE-to-PE BGP sessions between loopback IP addresses
- C. advertisement of standard communities, enabled on the PE-to-PE BGP neighbors
- D. full mesh of IBGP sessions
- E. full mesh of EBGP sessions and partial mesh of IBGP sessions
- F. mandatory creation of PE-to-PE BGP sessions between the outgoing interface IP addresses

Answer: [\(SHOW ANSWER\)](#)

NEW QUESTION: 76

Refer to the exhibit.

<pre> PE1 ip vrf celvpn rd 111:1 route-target export 111:1 route-target import 222:2 interface FastEthernet0/0/0 ip vrf forwarding celvpn ip address 192.168.0.1 255.255.255.0 router ospf 1 vrf celvpn network 192.168.0.0 0.0.0.255 area 1 </pre>	<pre> CE1 interface FastEthernet0/0/0 ip address 192.168.0.2 255.255.255.0 interface FastEthernet0/0/1 ip address 192.168.1.2 255.255.255.252 router ospf 100 network 192.168.0.0 0.0.0.255 area 1 router bgp 65600 neighbor 192.168.1.1 remote-as 65600 </pre>
---	--

If the two devices are operating normally, which two conclusions can you draw from this configuration? (Choose two.)

- A. CE1 is supporting CSC.
- B. The PE-CE routes between the devices are being exchanged by OSPF
- C. PE1 labels the routes it learns from CE1 with the route-target 222:2 and shares them with its VPNv4 peers.
- D. CE1 must use OSPF to establish a neighbor relationship with PE1.
- E. PE1 labels the routes it learns from CE1 with the route-target 111:1 and shares them with its VPNv4 peers.

Answer: B,D (LEAVE A REPLY)

Valid 300-515 Dumps shared by PrepPdf.com for Helping Passing 300-515 Exam! PrepPdf.com now offer the **newest 300-515 exam dumps**, the PrepPdf.com 300-515 exam **questions have been updated** and **answers have been corrected** get the **newest** PrepPdf.com 300-515 dumps with Test Engine here: <https://www.preppdf.com/Cisco/300-515-prepaway-exam-dumps.html> (87 Q&As Dumps, **40%OFF Special Discount: Exam-Tests**)

NEW QUESTION: 77

Refer to the exhibit.

<pre> PE1 ip vrf CE1 rd 101:1 route-target export 100:1 route-target import 200:2 </pre>	<pre> PE2 ip vrf CE2 rd 202:2 route-target export 200:2 route-target import 100:1 </pre>
<pre> PE3 ip vrf CE3 rd 303:3 route-target export 300:3 route-target import 400:4 </pre>	<pre> PE4 ip vrf CE4 rd 404:4 route-target export 400:4 route-target import 300:3 </pre>

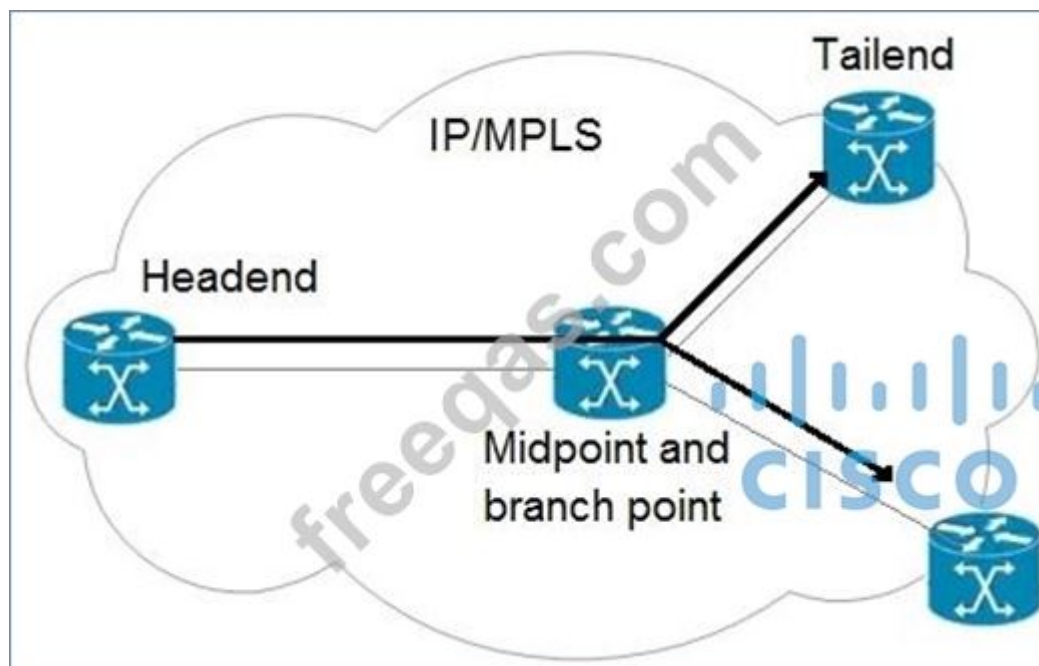
A network engineer has been called to configure the four PE devices in order to enable full communication among the four CE devices connected to them. While starting to configure, he experienced a connectivity issue. Which two tasks should the engineer perform in order to begin the process correctly? (Choose two.)

- A. Configure PE4 to import route-targets 101:1 and 202:2.
- B. Configure PE3 to import route-targets 100:1 and 200:2.
- C. Configure PE3 to export route-targets 100:1 and 200:2.
- D. Configure PE1 to import route-targets 300:3 and 400:4.
- E. Configure PE2 to export route-targets 300:3 and 400:4.

Answer: B,C (LEAVE A REPLY)

NEW QUESTION: 78

Refer to the exhibit.



An engineer is implementing an MPLS P2MP TE solution. Which type of router can serve as the midpoint router and the tailend router in this P2MP TE network implementation?

- A. headend

- B. source
- C. transit
- D. bud

Answer: ([SHOW ANSWER](#))

Explanation

https://www.cisco.com/c/en/us/td/docs/routers/asr920/configuration/guide/mps/mp-te-path-setup-xe-3s-asr920-book/mp-te-path-setup-xe-3s-asr920-book_chapter_01.html

NEW QUESTION: 79

```
ip vrf mvpn-extranet
 rd 12:1
 vpn id 12:1
 route-target import 12:2
 route-target export 12:3
 mdt default mpls mldp 192.168.1.2
 exit
ip multicast-routing vrf mvpn-extranet
```

What is the effect of this configuration?

- A. An LSP virtual interface tunnel is created.
- B. Router 1 accepts multicast routes with a tag of 12:1
- C. The mroute table is cleared.
- D. A Cisco MPLS TE tunnel is generated with 192.168.1.2 as the source IP address of router 1.

Answer: ([SHOW ANSWER](#))

NEW QUESTION: 80

Refer to the exhibit.



Which result occurs when PE1 learns a new MAC address and all three PEs are enabled with EVPN native?

- A. A system notification is sent to the network administrator that triggers the manual configuration of the new MAC address on PE2 and PE3.
- B. The new MAC address is sent by BGP to PE2 and PE3 as a Type 2 BGP route.
- C. The MAC address is entered into the CAM table and is classified for use on the native VLAN
- D. The MAC address is entered into the CAM table only if it is learned on the native VLAN.

Answer: ([SHOW ANSWER](#))

Reference: https://www.cisco.com/c/en/us/td/docs/routers/asr9000/software/asr9k-r6-4/lxvpn/configuration/guide/b-l2vpn-cg-asr9000-64x/b-l2vpn-cg-asr9000-64x_chapter_01011.html

NEW QUESTION: 81

Refer to the exhibit.

```
Router# show mpls forwarding-table
```

Local label	Outgoing label or VC	Prefix or Tunnel Id	Bytes switched	label	Outgoing interface	Next Hop
29	Pop tag	10.22.22.22/32	0		Gi1/1/0	172.32.0.1
32	0	10.24.24.24/32	0		Gi1/0/0	192.168.1.2
33	0	172.24.24.24/32	0		Gi1/0/0	192.168.1.2
34	0	192.168.0.0/8	0		Gi1/0/0	192.168.1.2
35	0	10.25.25.25/32	0		Gi1/0/0	192.168.1.2
36	0	172.16.0.0/8	0		Gi1/0/0	192.168.1.2
37	25	10.26.26.26/32	0		Gi1/0/0	192.168.1.22
38	0	10.34.34.34/32	0		Gi1/0/0	192.168.1.2

Which statement about this output is true?

- A. The adjacent LSR router configured mpls label range 0.
- B. The zero in the second column is the normal behavior of an egress router LSR.
- C. The router IP 192.168.1.2 sent an implicit null, and the output is from the penultimate LSR.
- D. The adjacent router is the egress LSR and has mpls ldp explicit-null configured.

Answer: D ([LEAVE A REPLY](#))

NEW QUESTION: 82

Refer to the exhibit. Which statement describes the result of this BGP configuration?

```
R1
```

```
router bgp 65010
no bgp default ipv4-unicast
neighbor 192.168.1.1 remote-as 65010
address-family ipv4
neighbor 192.168.1.1 activate
```

- A. R1 operates using IPv4 and VPNv4 address families.
- B. R1 operates on IPv6 only because the bgp default ipv4-unicast command is missing.
- C. R1 establishes an iBGP relationship with peer 192.168.1.1.
- D. R1 establishes a VPNv4 eBGP relationship with neighbor 192.168.1.1.

Answer: ([SHOW ANSWER](#))

Valid **300-515 Dumps** shared by PrepPdf.com for Helping Passing 300-515 Exam! PrepPdf.com now offer the **newest 300-515 exam dumps**, the PrepPdf.com 300-515 exam **questions have been updated** and **answers have been corrected** get the **newest** PrepPdf.com 300-515 dumps with Test Engine here: <https://www.preppdf.com/Cisco/300-515-prepaway-exam-dumps.html> (87 Q&As Dumps, **40%OFF** Special Discount: **Exam-Tests**)