

## Cisco.300-820.v2022-05-18.q69

<b>Exam Code:</b>	300-820
<b>Exam Name:</b>	Implementing Cisco Collaboration Cloud and Edge Solutions
<b>Certification Provider:</b>	Cisco
<b>Free Question Number:</b>	69
<b>Version:</b>	v2022-05-18
<b># of views:</b>	1330
<b># of Questions views:</b>	690
<a href="https://www.freeqas.com/qa/Cisco/300-820/Cisco.300-820.v2022-05-18.q69.html">https://www.freeqas.com/qa/Cisco/300-820/Cisco.300-820.v2022-05-18.q69.html</a>	

### NEW QUESTION: 1

In a Mobile and Remote Access deployment, where must communications be encrypted with TLS?

- A. Cisco Expressway-E and endpoints outside the enterprise
- B. Cisco Expressway-C, Cisco Unified Communications Manager, and IM&P
- C. Cisco Expressway-C, Cisco Expressway-E, and Cisco Unified Communications Manager
- D. Cisco Expressway-C, Cisco Expressway-E, and endpoints outside the enterprise

**Answer:** ([SHOW ANSWER](#))

### NEW QUESTION: 2

Which step is taken when configuring a Cisco Expressway solution?

- A. Configure the Expressway-E by using a non-traversal server zone.
- B. Enable static NAT on the Expressway-E only.
- C. Disable H.323 mode on the Expressway-E.
- D. Enable H.323 H.460.19 demultiplexing mode on the Expressway-C.

**Answer:** B ([LEAVE A REPLY](#))

Explanation

### NEW QUESTION: 3

A call is sent by Cisco UCM to Expressway with a URI of 75080001@expc1a.pod8.test.lab. If (7508...)

@expc1a.pod8.test.lab.\* is the pattern string, what would be the replacement string of the transform in Expressway to re-write the call so that it becomes 75080001@conf.pod8.test.lab?

- A. \1@conf.pod8.test.lab.\*
- B. \1@conf.pod8.test.lab
- C. \1@conf.pod8.test.lab.!
- D. \1@conf.pod8.test.lab.@

**Answer: B ([LEAVE A REPLY](#))**

**NEW QUESTION: 4**

What is one of the user-related prerequisites for Jabber Team Messaging Mode Installation?

- A. Create user accounts in Cisco Unified Communications Manager only.
- B. Create user accounts in Cisco Unified IM and Presence.
- C. Create user accounts in Cisco Unified CM and Cisco Webex Control Hub.
- D. Create user accounts in Cisco Webex Control Hub only.

**Answer: ([SHOW ANSWER](#))**

**NEW QUESTION: 5**

What is the purpose of using ICE for Mobile and Remote Access endpoints in the Cisco Collaboration infrastructure?

- A. ICE controls the bandwidth usage for Cisco Collaboration endpoints if the endpoints are located outside the company network.
- B. ICE enables Cisco Collaboration endpoints to determine if there is direct connectivity between them.
- C. ICE uses FAST updates to optimize the video quality in case of packet loss. This technology is available only from Cisco Unified CM version 11.5 and later.
- D. ICE enablement allows for the Cisco Collaboration endpoint to register through Expressway servers to Cisco Unified Communications Manager behind a firewall.

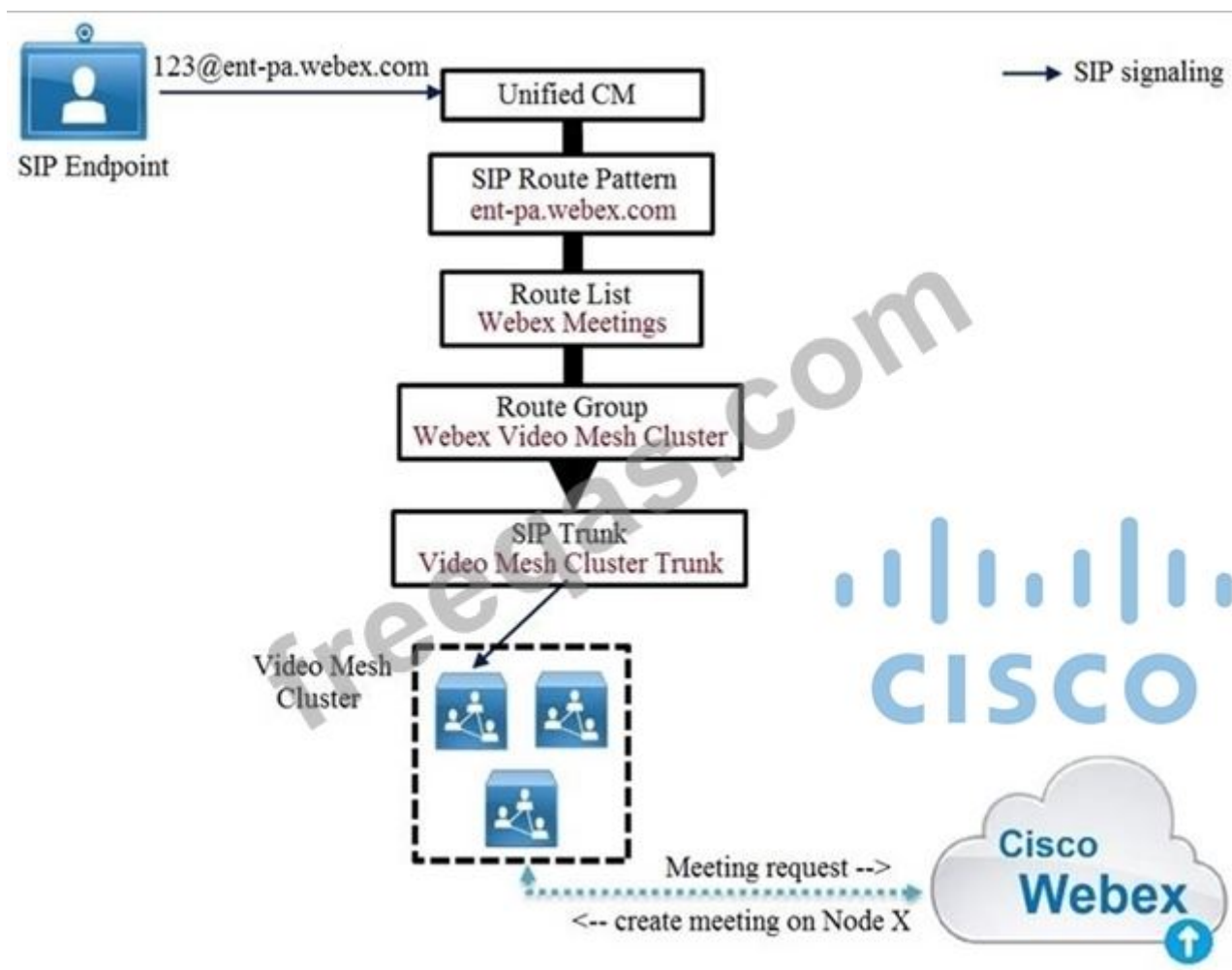
**Answer: B ([LEAVE A REPLY](#))**

Explanation

<https://www.cisco.com/c/en/us/td/docs/solutions/PA/ICE/icepa125.html>

**NEW QUESTION: 6**

Refer to the exhibit.



Cisco Unified Communications Manager routes the call via the Webex Meetings route list and route group to the Video Mesh cluster Node#1 in the Video Mesh cluster is hosting the meeting and has reached full capacity, but other nodes in the cluster still have spare capacity.

What happens to the participant's call?

- A. The call is queued.
- B. Another node in the cluster is used and an intra-cluster cascade between the two Video Mesh nodes is formed.
- C. Another node in the cluster is used and an intra-cluster cascade between Webex and the new Video Mesh node is formed.
- D. The call fails.

**Answer: B (LEAVE A REPLY)**

#### NEW QUESTION: 7

Refer to the exhibit.

(\d{3}) (\d{3}) (\d{3}) (\d{3})

Which two numbers match the regular expression? (Choose two.)

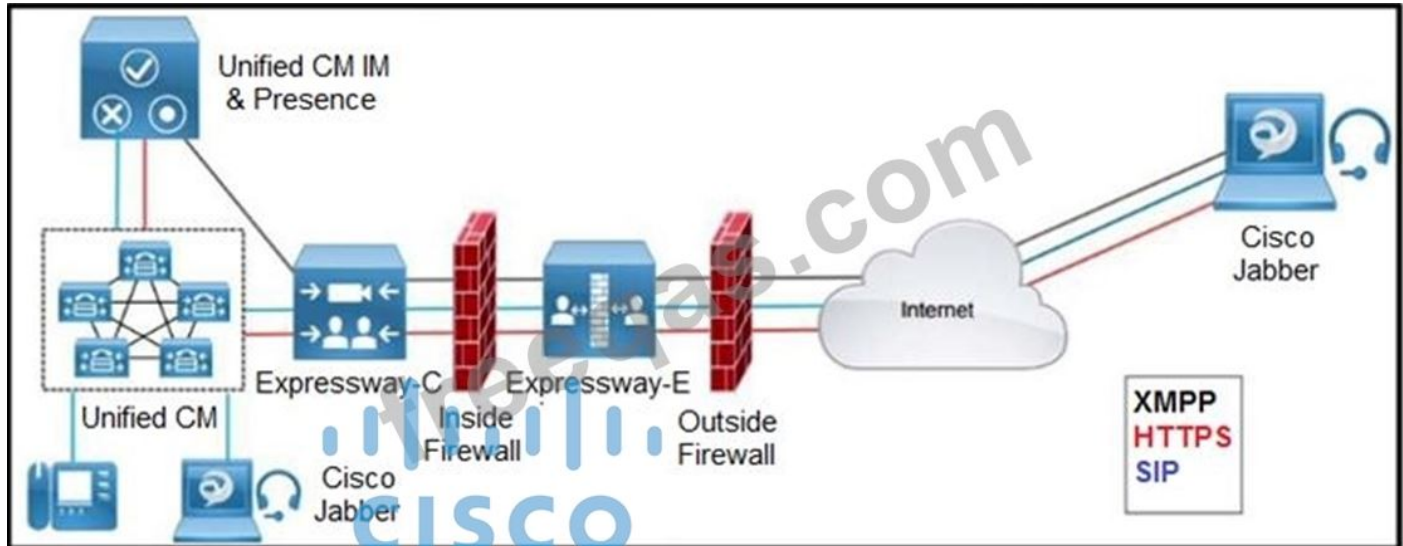
- A. d20d16d20d22
- B. 209165200225

- C. d209d165d200d224
- D. 209165200224
- E. 2091652010224

**Answer: B,D (LEAVE A REPLY)**

**NEW QUESTION: 8**

Refer to the exhibit.



Which two outbound connections should an administrator configure on the internal firewall?  
(Choose two.)

- A. SIP TCP 5061
- B. Media: UDP 36012 to 59999
- C. XMPP: TCP 7400
- D. HTTPS: TCP 8443
- E. SIP: TCP 7001

**Answer: C,E (LEAVE A REPLY)**

**NEW QUESTION: 9**

A Jabber user is being prompted to trust the Expressway-E certificate when using Mobile and Remote Access.

The administrator has validated that the Expressway-E certificate is being trusted by the machine running the Jabber client.

What else can be done to solve this problem?

- A. Include Cisco Unified Communications Manager registration domain in the Expressway-E certificate as a SAN.
- B. Change the domain name.
- C. Change the FQDN of the Expressway.
- D. Create a new CSR with new information on the SAN field.

**Answer: (SHOW ANSWER)**

**NEW QUESTION: 10**

Where are voice calls handled in a Cisco Jabber hybrid cloud-based deployment with Cisco Webex Platform Service?

- A. Voice calls use Webex Calling platform for call control and use hybrid media nodes for local conferencing.
- B. Voice calls use local media nodes to keep traffic internal for internal traffic and use Webex Calling for external calls.
- C. Voice call use Cisco Unified Communications Manager for local calls and Webex Calling for external calls.
- D. Voice calls use local Cisco Unified Communications Manager for all calls.

Answer: ([SHOW ANSWER](#))

**NEW QUESTION: 11**

Refer to the exhibit.



The firewall has been configured from NAT 192.168.108.2 to 100.64.0.1. Which configuration changes are needed for an Expressway-E with dual network interfaces?

- A)  
External LAN interface: LAN 1  
LAN 1 IPv4 static NAT mode: On  
LAN 1 IPv4 static NAT address: 100.64.0.1
- B)  
External LAN interface: LAN 2  
LAN 1 IPv4 static NAT mode: On  
LAN 1 IPv4 static NAT address: 100.64.0.1
- C)

External LAN interface: LAN 2  
LAN 1 IPv4 static NAT mode: On  
LAN 1 IPv4 static NAT address: 100.64.0.1  
LAN 2 IPv4 static NAT mode: On  
LAN 2 IPv4 static NAT address: 100.64.0.1

D)

External LAN interface: LAN 2  
LAN 2 IPv4 static NAT mode: On

A. Option C

B. Option A

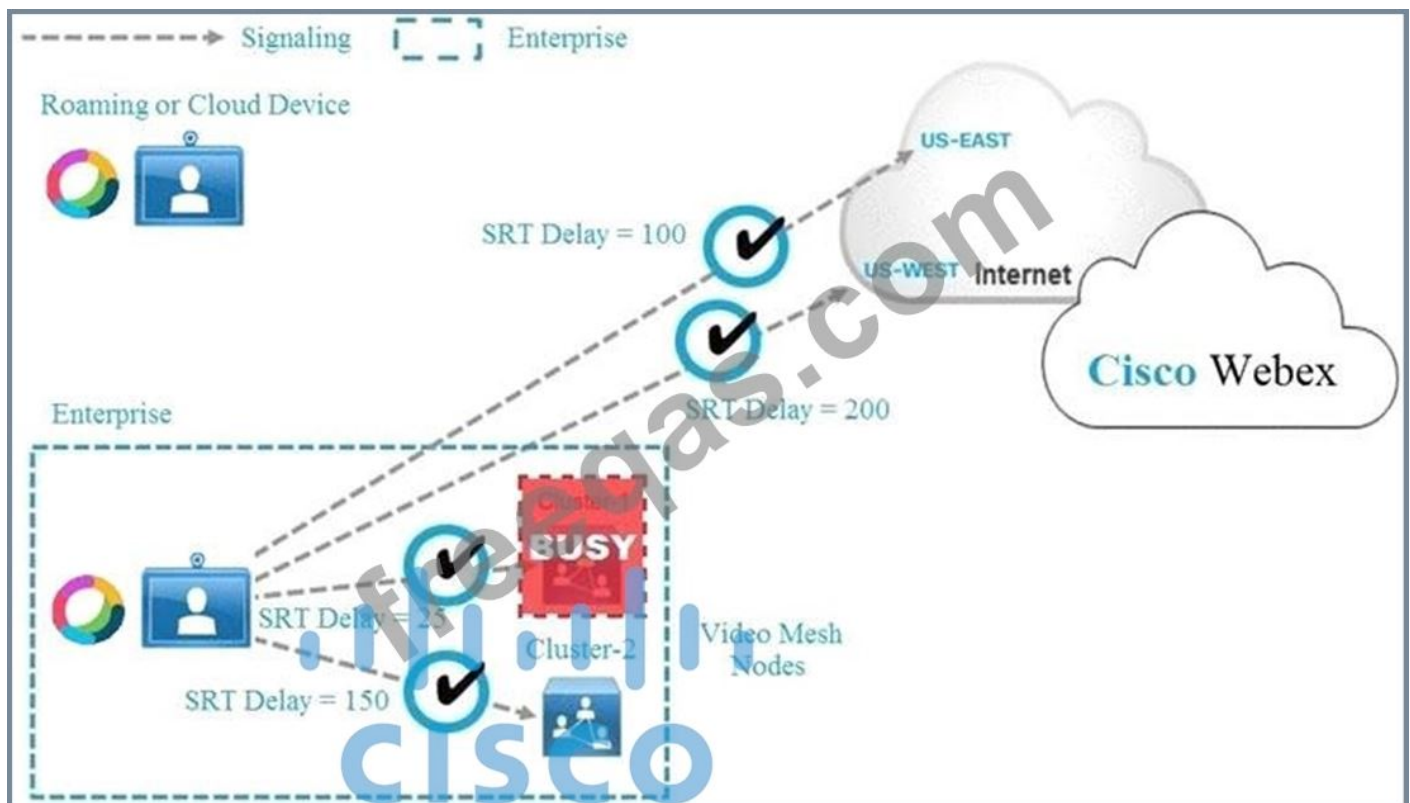
C. Option D

D. Option B

Answer: C ([LEAVE A REPLY](#))

### NEW QUESTION: 12

Refer to the exhibit.



If the Webex Teams device cannot connect to Video Mesh Cluster-1 because it is busy, which media node does the Webex Teams device connect to next?

A. Cloud Node US-EAST

B. Cloud Node US-WEST

C. Video Mesh Cluster-2

D. Both Cloud Node US-EAST and US-WEST

Answer: C ([LEAVE A REPLY](#))

### NEW QUESTION: 13

A company is installing Cisco Collaboration infrastructure and one of the requirements is that they must be able to communicate with many external parties that are using H.323 and SIP. Internally they want to register the endpoints only on SIP.

Which functionality would describe the feature that needs to be enabled and where to achieve this?

- A. Interworking in Cisco Unified Communications Manager
- B. Interworking in Expressway-C
- C. Transcoding in Expressway-C
- D. Transcoding in Cisco Unified Communications Manager

**Answer: D (LEAVE A REPLY)**

#### NEW QUESTION: 14

Which two licenses are required for the B2B feature to work? (Choose two.)

- A. TURN Relays
- B. Traversal Server
- C. Device Provisioning
- D. Rich Media Sessions
- E. Advanced Networking

**Answer: C,D (LEAVE A REPLY)**

#### NEW QUESTION: 15

Refer to the exhibit.

**Create transform** You are here: [Configuration](#) > [Dial plan](#) > [Transform](#) > **Create transform**

**Configuration**

Priority: 5

Description: Convert Untitled CM supplied domain information to the Expressway SIP domain

Pattern type: Regex

Pattern string: (4d{3})@exp-name.exp.domain \*?

Pattern behavior: Replace

Replace string: \1@exp.domain

State: Enabled

Create transform Cancel

Which description of the transformation is true?

- A. It converts 4123@exp-name.exp.domain:<port> to 4123@exp.domain
- B. It changes all patterns that begin with 4123@exp-name.exp.domain:<port> to 1@exp.domain
- C. It converts 4.3@exp-name.exp.domain:<port> to 1@exp.domain
- D. It changes 413@exp-name.exp.domain:<port> to 413@exp.domain

**Answer: (SHOW ANSWER)**

### NEW QUESTION: 16

Which role does Call Policy play when preventing toll fraud on Expressways?

- A. It changes the audio codec used in a call through Expressways.
- B. It controls which calls are allowed, which calls are rejected, and which calls are redirected to a different destination.
- C. It changes the calling and called number on a call.
- D. It changes the audio protocol used by a call through Expressways.

Answer: ([SHOW ANSWER](#))

**Valid 300-820 Dumps** shared by PrepPdf.com for Helping Passing 300-820 Exam!

PrepPdf.com now offer the **newest 300-820 exam dumps**, the PrepPdf.com 300-820 exam **questions have been updated** and **answers have been corrected** get the **newest**

PrepPdf.com 300-820 dumps with Test Engine here: <https://www.preppdf.com/Cisco/300-820-prepaway-exam-dumps.html> (205 Q&As Dumps, **40%OFF Special Discount: Exam-**

**Tests**)

### NEW QUESTION: 17

Refer to the exhibit.

The screenshot shows the 'Edit transform' configuration window. The configuration is as follows:

Field	Value
Priority	1
Description	CCNPCollab
Pattern type	Regex
Pattern string	([^0-7]{3,5})
Pattern behavior	Replace
Replace string	\12@ccnpcollab.com
State	Enabled

Buttons: Save, Delete, Cancel

What is the result of a transformation applied to alias 88514?

- A. 98851@ccnpcollab.com
- B. 88513@ccnpcollab.com
- C. 88514@ccnpcollab.com

D. 88515@ccnpcollab.com

Answer: ([SHOW ANSWER](#))

**NEW QUESTION: 18**

Refer to the exhibit.

The screenshot shows the 'Edit transform' configuration window. The configuration is as follows:

Field	Value
Priority	1
Description	CCNPCollab
Pattern type	Regex
Pattern string	([0-7])(\d{3,5})
Pattern behavior	Replace
Replace string	\12@ccnpcollab.com
State	Enabled

Buttons: Save, Delete, Cancel

What is the result of a transformation applied to alias 88514?

A. 88515@ccnpcollab.com

B. 98851@ccnpcollab.com

C. 88514@ccnpcollab.com

D. 88513@ccnpcollab.com

Answer: ([SHOW ANSWER](#))

**NEW QUESTION: 19**

Refer to the exhibit.

	Expressway-E
<b>Rule name</b>	Enter Block ISDN call for example
<b>Description</b>	Enter Block everything (including nonregistered endpoints)
<b>Priority</b>	Enter 41
<b>Protocol</b>	<i>Any</i>
<b>Source</b>	
<b>Request must be authenticated</b>	<i>No</i>
<b>Mode</b>	<i>Alias pattern match</i>
<b>Pattern type</b>	<i>Regex</i>
<b>Pattern string</b>	Enter (9\d+) (.*) (@example.com)
<b>Pattern behavior</b>	<i>Replace</i>
<b>Replace string</b>	Enter do-not-route-this-call for example
<b>On successful match</b>	<i>Stop</i>
<b>Target</b>	<i>TraversalZone</i>
<b>State</b>	<i>Enabled</i>

An ISDN gateway is registered to Expressway-C with a prefix of 9 and/or it has a neighbor zone specified that routes calls starting with a 9.

Which value should be entered into the "Source" field to prevent toll fraud regardless at origin of the call?

- A. Any
- B. Traversal Zone
- C. Neighbor Zone
- D. All

**Answer:** ([SHOW ANSWER](#))

**NEW QUESTION: 20**

Refer to the exhibit.

```

C:\Users\Administrator>nslookup
Default Server: Win2016-AD.example.com
Address: 192.168.10.10

> set type=all
> _cisco-uds._tcp.example.com4
Server: Win2016-AD.example.com
Address: 192.168.10.10

_cisco-uds._tcp.example.com          SRV service location:
    priority             = 10
    weight                = 10
    port                  = 8443
    svr hostname         = cucm.example.com

> _collab-edge._tls.example.com
Server: Win2016-AD.example.com
Address: 192.168.10.10

_collab-edge._tls.example.com        SRV service location:
    priority             = 10
    weight                = 10
    port                  = 8443
    svr hostname         = expressway-e.example.com

>

```

When a Jabber user attempts to connect from outside of the organization, the user enters the login information as "user@example.com" and receives the error "Cannot find your services Automatically". The engineer tries to resolve SRV records used by Jabber.

DNS A record "expressway-e.example.com" points to the Expressway-E IP and "cucm.example.com" points to the Cisco Unified Communications Manager.

Which change resolves the DNS problem?

- A. Change the collab-edge record to point to 5061.
- B. Change the priority of the SRV record for cisco-uds.
- C. Remove the cisco-uds SRV record for the external DNS.
- D. Change cisco-uds to point to the Expressway-E FQDN.

**Answer: C** ([LEAVE A REPLY](#))

#### NEW QUESTION: 21

Refer to the exhibit.

	Expressway-E
<b>Rule name</b>	Enter Block ISDN call for example
<b>Description</b>	Enter Block everything (including nonregistered endpoints)
<b>Priority</b>	Enter 41
<b>Protocol</b>	<i>Any</i>
<b>Source</b>	
<b>Request must be authenticated</b>	<i>No</i>
<b>Mode</b>	<i>Alias pattern match</i>
<b>Pattern type</b>	<i>Regex</i>
<b>Pattern string</b>	Enter (9\d+) (.*) (@example.com)
<b>Pattern behavior</b>	<i>Replace</i>
<b>Replace string</b>	Enter do-not-route-this-call for example
<b>On successful match</b>	<i>Stop</i>
<b>Target</b>	<i>TraversalZone</i>
<b>State</b>	<i>Enabled</i>

An ISDN gateway is registered to Expressway-C with a prefix of 9 and/or it has a neighbor zone specified that routes calls starting with a 9.

Which value should be entered into the "Source" field to prevent toll fraud regardless at origin of the call?

- A. Traversal Zone
- B. Neighbor Zone
- C. All
- D. Any

**Answer: C ([LEAVE A REPLY](#))**

#### NEW QUESTION: 22

Refer to the exhibit.

```

Module="network.ldap" Level="INFO": Detail="Authentication credential found
in directory for identity: expresswayturn"

Module="developer.nomodule" Level="WARN"
CodeLocation="ppcmains/sip/sipproxy/
SipProxyAuthentication.cpp(686)" Method="SipProxyAuthentication::
checkDigestSAResponse" Thread="0x7a2485cb0700": calculated response does not
match supplied response,
calculatedResponse=769c8f488b71eebdf28b61ab1dc9f5e9,
response=319a0bb365dccf98c1bb7b3ce350f6cc

Event="Authentication Failed" Service="SIP" Src-ip="10.1.1.161"
Src-port="25713" Detail="Incorrect authentication credential for user"
Protocol="TLS" Method="OPTIONS" Level="1"

```

Mobile Cisco Jabber cannot register with on-premises Cisco Unified Communications Manager using Mobile and Remote Access. Some logs were captured on Expressway Edge.

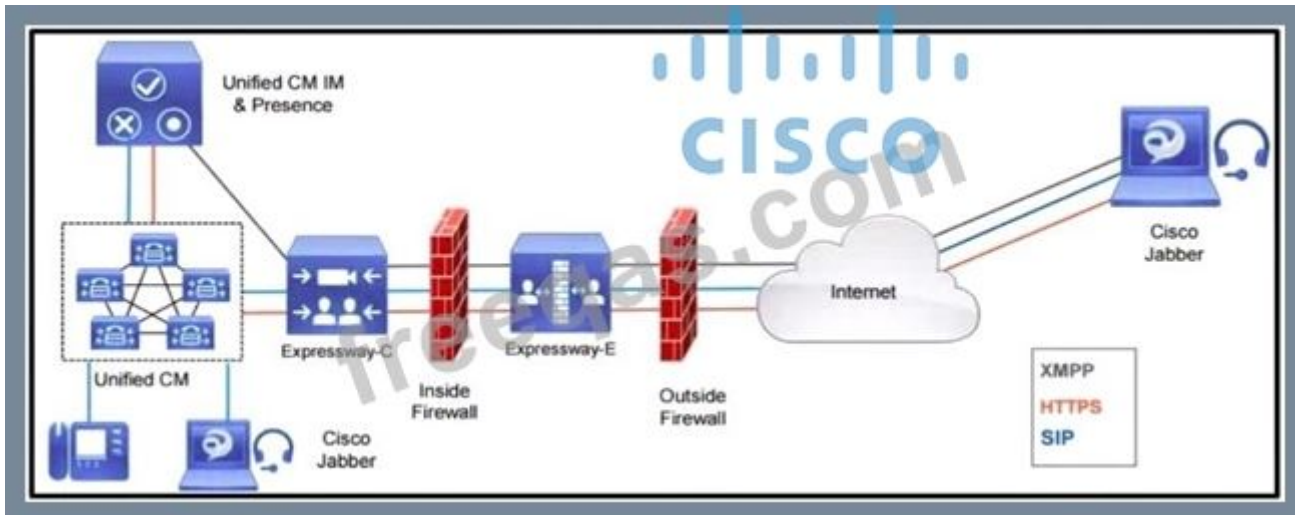
Which action corrects this problem?

- A. Ensure that the credential has been entered correctly.
- B. Ensure that the \_cisco-uds SRV record has been configured.
- C. Ensure that the SIP domains are added on Expressway Core.
- D. Ensure that the peer address does not match the Common Name on certificate.

**Answer: A (LEAVE A REPLY)**

**NEW QUESTION: 23**

Refer to the exhibit.



Which inbound connection should an administrator configure on the outside firewall?

- A. Media: UDP 36000 to 36011
- B. HTTPS (tunneled over SSH between C and E): TCP 2222
- C. SIP TCP 5061
- D. XMPP TCP 5222

**Answer: A (LEAVE A REPLY)**

**NEW QUESTION: 24**

Refer to the exhibit.

```

tvcs: Event="System Configuration Changed" Detail="xConfiguration Bandwidth
Link 17 Pipe2 Name: " Level="1"
httpd[10591]: web: Event="System Configuration Changed" Detail="Create Zones
Zone 7 ZoneName: cms4.pod1.local" Src-ip="10.0.251.192" Src-port="50107"
User="admin" Level="1"
httpd[10591]: web: Event="System Configuration Changed" Detail="Create Zones
Zone 7 Type: Neighbor" Src-ip="10.0.251.192" Src-port="50107" User="admin"
Level="1"
httpd[10591]: web: Event="System Configuration Changed" Detail="Zones Zone 7
H323 Mode - changed from: On to: Off" Src-ip="10.0.251.192" Src-port="50107"
User="admin" Level="1"
httpd[10591]: web: Event="System Configuration Changed" Detail="Zones Zone 7
Neighbor SIP B2BUA Replaces Mode - changed from: Forward to: Terminate"
Src-ip="10.0.251.192" Src-port="50107" User="admin" Level="1"
httpd[10591]: web: Event="System Configuration Changed" Detail="Zones Zone 7
Neighbor Peer Address - changed from: to: cms4.pod1.local"
Src-ip="10.0.251.192" Src-port="50107" User="admin" Level="1"
tvcs: Event="System Configuration Changed" Detail="xConfiguration Zones Zone 7
H323 Mode: Off" Level="1"
tvcs: Event="System Configuration Changed" Detail="xConfiguration Zones Zone 7
Neighbor SIP B2BUA Replaces Mode: Terminate" Level="1"
tvcs: Module="network.dns" Level="DEBUG": Detail="Sending DNS query"
Name="cms4.pod1.local" Type="A and AAAA"
tvcs: Event="System Configuration Changed" Detail="xConfiguration Zones Zone 7
Neighbor Peer 1 Address: cms4.pod1.local" Level="1"
tvcs: Module="network.dns" Level="DEBUG": Detail="Could not resolve hostname"

```

A new neighbor zone is added for a new Cisco Meeting Server, but the zone is showing a SIP status of failed from the time the zone it was created. What should be done to resolve this issue?

- A. The search rule must be changed to continue on match
- B. The existing zone using ID 7 must be deleted
- C. More bandwidth must be added to the appropriate pipes
- D. The underlying DNS issue must be resolved

**Answer: A (LEAVE A REPLY)**

#### NEW QUESTION: 25

An engineer is deploying an Expressway solution for the SIP domain Cisco.com. Which SRV record should be configured in the public DNS to support inbound B2B calls?

- A. \_collab-edge.\_tls.cisco.com
- B. \_cisco-uds.\_tcp.cisco.com
- C. \_sip.\_tcp.cisco.com
- D. \_cuplogin.\_tcp.cisco.com

**Answer: C (LEAVE A REPLY)**

Reference:

<https://www.ciscolive.com/c/dam/r/ciscolive/emea/docs/2018/pdf/BRKCOL-2018.pdf>

#### NEW QUESTION: 26

An Expressway-E is configured using a single NIC with NAT.

How must the Expressway-C traversal client zone be configured to connect to the Expressway-E?

- A. The zone profile must be set to default.
- B. The peer address must be the Expressway-E NAT address.
- C. TLS verify must be enabled.
- D. The peer address must be the Expressway-E LAN 1 IP address.

**Answer: B ([LEAVE A REPLY](#))**

#### **NEW QUESTION: 27**

For a Mobile and Remote Access deployment, which server's certificate must include the Unified registration domain as a Subject Alternate Name?

- A. Expressway-C server certificate
- B. C.Expressway-E server certificate
- C. Expressway-C and Expressway-E server certificate
- D. Cisco Unified Communications Manager server certificate

**Answer: B ([LEAVE A REPLY](#))**

#### **NEW QUESTION: 28**

Jabber cannot log in via Mobile and Remote Access. You inspect Expressway-C logs and see this error message:

XCP\_JABBERD Detail="Unable to connect to host '%IP%', port 7400:(111) Connection refused"

Which is the cause of this issue?

- A. Rich Media Session licenses are not activated on Expressway-E.
- B. The XCP Service is not activated on Expressway-E.
- C. Expressway-E is listening on the wrong IP interface.
- D. The destination port for Expressway-E is set to 7400 instead of 8443 on the Expressway-C.

**Answer: C ([LEAVE A REPLY](#))**

#### **NEW QUESTION: 29**

Which two items are configured when deploying a B2B collaboration solution? (Choose two.)

- A. traversal client on a Cisco Expressway-E
- B. SIP trunk between Cisco Unified Communications Manager and Cisco Expressway-C
- C. DNS zone on a Cisco Expressway-C
- D. SIP trunk between Cisco Unified Communications Manager and Cisco Expressway-E
- E. search rules in Cisco Expressway-E

**Answer: ([SHOW ANSWER](#))**

#### **NEW QUESTION: 30**

When designing the call control on a Cisco Expressway Core, which is the sequence of dial plan functions?

- A. search rules, transforms
- B. search rules, zones, local zones
- C. transforms, CPL, user policy, search rules

D. DNS zone, local zone, search rules

**Answer: C** ([LEAVE A REPLY](#))

**NEW QUESTION: 31**

When designing the call control on a Cisco Expressway Core, which is the sequence of dial plan functions?

A. transforms, CPL, user policy, search rules

B. search rules, zones, local zones

C. DNS zone, local zone, search rules

D. search rules, transforms

**Answer: D** ([LEAVE A REPLY](#))

Explanation

<https://community.cisco.com/t5/collaboration-voice-and-video/vcs-dial-plan-example-configuration-to-avoid-int>

**Valid 300-820 Dumps** shared by PrepPdf.com for Helping Passing 300-820 Exam!

PrepPdf.com now offer the **newest 300-820 exam dumps**, the PrepPdf.com 300-820 exam

**questions have been updated and answers have been corrected** get the **newest**

PrepPdf.com 300-820 dumps with Test Engine here: <https://www.preppdf.com/Cisco/300-820-prepaway-exam-dumps.html> (205 Q&As Dumps, **40%OFF Special Discount: Exam-**

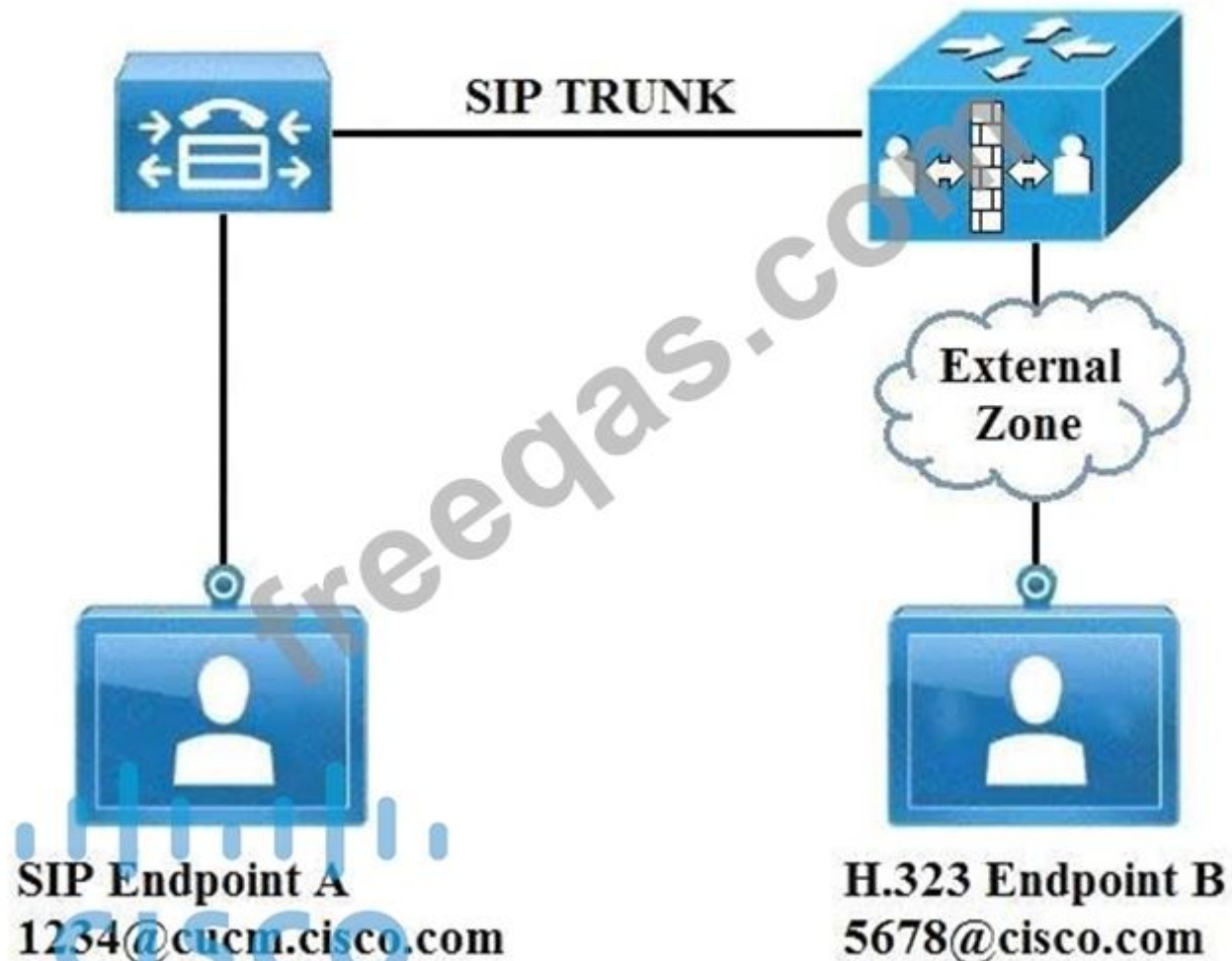
**Tests**)

**NEW QUESTION: 32**

Refer to the exhibit.

## Cisco Unified Communications Manager

## Cisco Expressway-C



In an environment SIP devices are registered to CUCM and H.323 devices to VCS. What would be required to enable these calls to setup correctly?

- A. Disable SIP in the external zone.
- B. Change the domain of SIP endpoint A to cisco.com.
- C. Change the interworking mode to On.
- D. Create a presearch transform.

**Answer: C** ([LEAVE A REPLY](#))

### NEW QUESTION: 33

Refer to the exhibit.

```
XmppSDK.dll #0, 201, Recv:<iq id='uid:527a7fe7:00000cfe:00000000' type='error'><bind xmlns='urn:ietf:params:xml:ns:xmpp-stanzas' /></error></iq>  
XmppSDK.dll #0, CXmppClient::onResourceBindError  
XmppSDK.dll #0, 39, CTriClient::HandleDisconnect, reason:16
```



While troubleshooting Cisco Jabber login issues, there are some error messages. Why is the Jabber client unable to sign in?

- A. down Cisco Unified Communications Manager server
- B. incorrect login credentials
- C. service discovery issues
- D. XMPP bind failures

**Answer: D** ([LEAVE A REPLY](#))

### NEW QUESTION: 34

Refer to the exhibit.

**Edit transform**

**Configuration**

Priority: 1

Description: CCNPCollab

Pattern type: Regex

Pattern string:  $(^[0-7])(\d{3,5})$

Pattern behavior: Replace

Replace string: \1\2@ccnpcollab.com

State: Enabled

Save Delete Cancel

**CISCO**

What is the result of a transformation applied to alias 88514?

- A. 88514@ccnpcollab.com
- B. 98851@ccnpcollab.com
- C. 88513@ccnpcollab.com
- D. 88515@ccnpcollab.com

**Answer: B** ([LEAVE A REPLY](#))

### NEW QUESTION: 35

Refer to the exhibit.

```
C:\Users\Administrator>nslookup
Default Server: Win2016-AD.example.com
Address: 192.168.10.10
```

```
> set type=all
> _cisco-uds._tcp.example.com4
Server: Win2016-AD.example.com
Address: 192.168.10.10
```

```
_cisco-uds._tcp.example.com      SRV service location:
    priority      = 10
    weight        = 10
    port          = 8443
    svr hostname  = cucm.example.com
```

```
> _collab-edge._tls.example.com
Server: Win2016-AD.example.com
Address: 192.168.10.10
```

```
_collab-edge._tls.example.com    SRV service location:
    priority      = 10
    weight        = 10
    port          = 8443
    svr hostname  = expressway-e.example.com
```

```
>
```

When a Jabber user attempts to connect from outside of the organization, the user enters the login information as "user@example.com" and receives the error "Cannot find your services Automatically". The engineer tries to resolve SRV records used by Jabber.

DNS A record "expressway-e.example.com" points to the Expressway-E IP and "cucm.example.com" points to the Cisco Unified Communications Manager.

Which change resolves the DNS problem?

- A. Change cisco-uds to point to the Expressway-E FQDN.
- B. Change the collab-edge record to point to 5061.
- C. Change the priority of the SRV record for cisco-uds.
- D. Remove the cisco-uds SRV record for the external DNS.

**Answer: D** ([LEAVE A REPLY](#))

### NEW QUESTION: 36

Refer to the exhibit.



Expressway-C Traversal Zone:  
SIP: Failed to connect to 192.168.1.6:7001

Expressway-C Event Log shows the following:

2019-10-23T11:01:51.925-04:00 : Event="Outbound TLS Negotiation Error" Service="SIP" Src-ip="192.168.1.5" Src-port="27204"  
Dst-ip="192.168.1.6" Dst-port="7003" Detail="tlsv1 alert unknown ca"  
Protocol="TLS" Common-name="amer-expressway01.example.com" Level="1" UTCtime="2019-10-23 15:01:51,923"

Expressway-C server certificate shows the following decoded output:

Certificate:

Data:

Version: 3 (0x2)

Serial Number: 1 (0x1)

Signature Algorithm: sha256WithRSAEncryption

Issuer: O=Temporary CA fce4028e-92ba-4cbc-9e71-08b959888af4, OU=Temporary CA fce4028e-92ba-4cbc-9e71-08b959888af4,  
CN=Temporary CA fce4028e-92ba-4cbc-9e71-08b959888af4

An Expressway-C and Expressway-E are configured for B2B calling and the Expressway- E zone is set to TLS Verify Currently, calls do not reach the Expressway-C. The Traversal Client zone on the Expressway-C for B2B reports the information in the exhibit for the Peer 1 address.

Which action resolves this error?

- A. Add an intermediate certificate to the Expressway-C that is signed by a certificate authority.
- B. Add a server certificate to the Expressway-C that is signed by a certificate authority.
- C. Configure the Expressway-C Traversal Client zone Peer 1 address with the fully qualified domain name of the Expressway-E.
- D. Configure the Expressway-C Traversal Client zone transport protocol with TCP.

**Answer: (SHOW ANSWER)**

#### NEW QUESTION: 37

For a Mobile and Remote Access deployment, which server's certificate must include the Unified registration domain as a Subject Alternate Name?

- A. Expressway-C server certificate
- B. Cisco Unified Communications Manager server certificate
- C. Expressway-E server certificate
- D. Expressway-C and Expressway-E server certificate

**Answer: C (LEAVE A REPLY)**

Explanation

[https://www.cisco.com/c/dam/en/us/td/docs/voice\\_ip\\_comm/expressway/config\\_guide/X8-7/Mobile-Remote-Ac](https://www.cisco.com/c/dam/en/us/td/docs/voice_ip_comm/expressway/config_guide/X8-7/Mobile-Remote-Ac)

#### NEW QUESTION: 38

Which SIP media encryption mode is applied by default for newly created zones in the Cisco Expressway?

- A. Off
- B. Auto
- C. Best Effort

D. Force Encrypted

Answer: ([SHOW ANSWER](#))

**NEW QUESTION: 39**

Which DNS record and port combination must be resolved externally for Mobile and Remote Access to be used?

- A. \_collab-edge on port 8443
- B. \_cisco-uds-edge on port 5061
- C. \_collab-edge on port 5061
- D. \_cisco-uds on port 8443

Answer: ([SHOW ANSWER](#))

**NEW QUESTION: 40**

Which statement about scheduling Expressway backups is true?

- A. It is allowed from the application GUI of the Expressway only.
- B. It is not supported on the application.
- C. It is allowed from the application CLI of the Expressway only.
- D. It is allowed from the application CLI and GUI of the Expressway.

Answer: B ([LEAVE A REPLY](#))

**NEW QUESTION: 41**

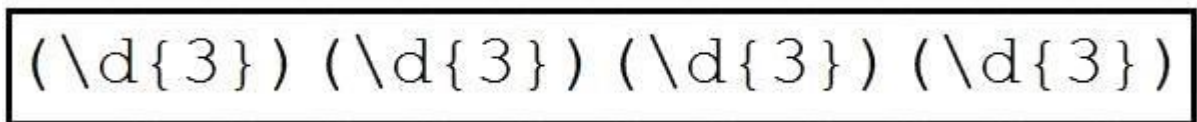
Which part of a hybrid cloud-based deployment with Cisco Webex Messenger Service is used for meeting capabilities?

- A. Cisco Webex Meeting Center is always used for meeting capabilities.
- B. Cisco Unified CM is always used for meeting capabilities.
- C. Depending on the origin of the user, the Webex Meeting Center or local Cisco Unified Communications Manager meeting resources are used for meeting capabilities.
- D. Depending on the media flow, the Webex Meeting Center or local Cisco Unified CM meeting resources are used for meeting capabilities.

Answer: B ([LEAVE A REPLY](#))

**NEW QUESTION: 42**

Refer to the exhibit.



Which two numbers match the regular expression? (Choose two.)

- A. 2091652010224
- B. 209165200225
- C. d20d16d20d22
- D. 209165200224

E. d209d165d200d224

Answer: B,D ([LEAVE A REPLY](#))

### NEW QUESTION: 43

Which two types of information does Cisco Expressway back up? (Choose two.)

- A. security certificates
- B. current call states
- C. IP addresses
- D. log files
- E. call records

Answer: ([SHOW ANSWER](#))

### NEW QUESTION: 44

Which entry in the public (external) DNS is valid to configure DNS SRV records for a Cisco Mobile and Remote Access solution?

- A. \_collab-edge.\_tls.<domain>
- B. \_cisco-uds.\_tcp.<domain>
- C. \_cisco-mra.\_tls.<domain>
- D. \_cisco-expwy.\_tls.<domain>

Answer: B ([LEAVE A REPLY](#))

### NEW QUESTION: 45

Refer to the exhibit.

```
link 17 Pipe2 Name: " Level="1"
sttpd[10591]: web: Event="System Configuration Changed" Detail="Create Zones
Zone 7 ZoneName: cms4.pod1.local" Src-ip="10.0.251.192" Src-port="50107"
User="admin" Level="1"
sttpd[10591]: web: Event="System Configuration Changed" Detail="Create Zones
Zone 7 Type: Neighbor" Src-ip="10.0.251.192" Src-port="50107" User="admin"
Level="1"
sttpd[10591]: web: Event="System Configuration Changed" Detail="Zones Zone 7
323 Mode - changed from: On to: Off" Src-ip="10.0.251.192" Src-port="50107"
User="admin" Level="1"
sttpd[10591]: web: Event="System Configuration Changed" Detail="Zones Zone 7
Neighbor SIP B2BUA Replaces Mode - changed from: Forward to: Terminate"
Src-ip="10.0.251.192" Src-port="50107" User="admin" Level="1"
sttpd[10591]: web: Event="System Configuration Changed" Detail="Zones Zone 7
Neighbor Peer Address - changed from: to: cms4.pod1.local"
Src-ip="10.0.251.192" Src-port="50107" User="admin" Level="1"
:vcs: Event="System Configuration Changed" Detail="xConfiguration Zones Zone 7
323 Mode: Off" Level="1"
:vcs: Event="System Configuration Changed" Detail="xConfiguration Zones Zone 7
Neighbor SIP B2BUA Replaces Mode: terminate" Level="1"
:vcs: Module="network.dns" Level="DEBUG" Detail="Sending DNS query"
Name="cms4.pod1.local" Type="A and AAAA"
:vcs: Event="System Configuration Changed" Detail="xConfiguration Zones Zone 7
Neighbor Peer 1 Address: cms4.pod1.local" Level="1"
:vcs: Module="network.dns" Level="DEBUG" Detail="Could not resolve hostname"
```

A new neighbor zone is added for a new Cisco Meeting Server, but the zone is showing a SIP status of failed from the time the zone it was created. What should be done to resolve this issue?

- A. The underlying DNS issue must be resolved
- B. The existing zone using ID 7 must be deleted

- C. More bandwidth must be added to the appropriate pipes
- D. The search rule must be changed to continue on match

**Answer:** ([SHOW ANSWER](#))

**NEW QUESTION: 46**

A Cisco Webex Hybrid Video Mesh Node can be installed in the DMZ and on the internal network. Which statement is true?

- A. Webex Cloud supports either a DMZ-based Mesh Node for security or an internal-based Mesh Node for media control only.
- B. Installing a Video Mesh Node in the DMZ requires you to open TCP and UDP port 4444 in your internal firewall for full clustering functionality.
- C. Installing a Video Mesh Node in the DMZ requires the external firewall to allow UDP traffic from ANY port to the address of the Video Mesh Nodes via port 5004.
- D. Using internal Video Mesh Node also works due to Mobile and Remote Access setup for Webex Teams clients. A DMZ node is added for extra security.

**Answer:** C ([LEAVE A REPLY](#))

Explanation

<https://www.cisco.com/c/en/us/td/docs/solutions/CVD/Collaboration/hybrid/12x/hybcvd/hms.html>

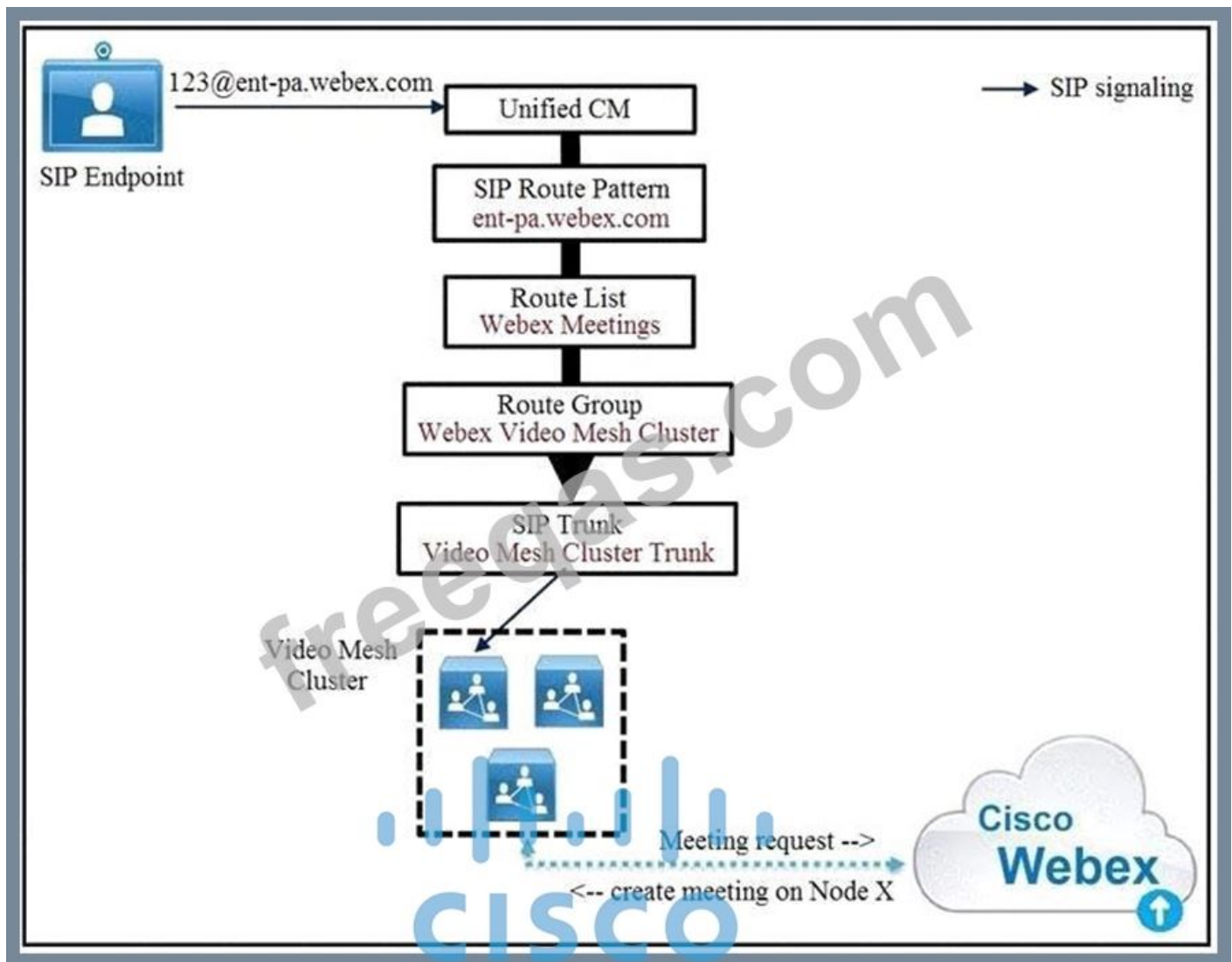
**Valid 300-820 Dumps** shared by PrepPdf.com for Helping Passing 300-820 Exam!

PrepPdf.com now offer the **newest 300-820 exam dumps**, the PrepPdf.com 300-820 exam **questions have been updated** and **answers have been corrected** get the **newest**

PrepPdf.com 300-820 dumps with Test Engine here: <https://www.preppdf.com/Cisco/300-820-prepaway-exam-dumps.html> (205 Q&As Dumps, **40%OFF Special Discount: Exam-Tests**)

**NEW QUESTION: 47**

Refer to the exhibit.



Cisco Unified Communications Manager routes the call via the Webex Meetings route list and route group to the Video Mesh cluster Node#1 in the Video Mesh cluster is hosting the meeting and has reached full capacity, but other nodes in the cluster still have spare capacity.

What happens to the participant's call?

- A. The call is queued.
- B. Another node in the cluster is used and an intra-cluster cascade between the two Video Mesh nodes is formed.
- C. The call fails.
- D. Another node in the cluster is used and an intra-cluster cascade between Webex and the new Video Mesh node is formed.

**Answer:** ([SHOW ANSWER](#))

#### NEW QUESTION: 48

Refer to the exhibit.

Expressway-C Traversal Zone:  
SIP: Failed to connect to 192.168.1.6:7001

Expressway-C Event Log shows the following:

```
2019-10-23T11:01:51.925-04:00 : Event="Outbound TLS Negotiation Error" Service="SIP" Src-ip="192.168.1.5" Src-port="27204"  
Dst-ip="192.168.1.6" Dst-port="7003" Detail="tlsv1 alert unknown ca"  
Protocol="TLS" Common-name="amer-expressway01.example.com" Level="1" UTCTime="2019-10-23 15:01:51,923"
```

Expressway-C server certificate shows the following decoded output:

Certificate:

Data:

Version: 3 (0x2)

Serial Number: 1 (0x1)

Signature Algorithm: sha256WithRSAEncryption

Issuer: O=Temporary CA fce4028e-92ba-4cbc-9e71-08b959888af4, OU=Temporary CA fce4028e-92ba-4cbc-9e71-08b959888af4,  
CN=Temporary CA fce4028e-92ba-4cbc-9e71-08b959888af4

An Expressway-C and Expressway-E are configured for B2B calling and the Expressway- E zone is set to TLS Verify Currently, calls do not reach the Expressway-C. The Traversal Client zone on the Expressway-C for B2B reports the information in the exhibit for the Peer 1 address.

Which action resolves this error?

- A. Add an intermediate certificate to the Expressway-C that is signed by a certificate authority.
- B. Configure the Expressway-C Traversal Client zone Peer 1 address with the fully qualified domain name of the Expressway-E.
- C. Configure the Expressway-C Traversal Client zone transport protocol with TCP.
- D. Add a server certificate to the Expressway-C that is signed by a certificate authority.

**Answer:** ([SHOW ANSWER](#))

#### NEW QUESTION: 49

Which configuration is required when implementing Mobile and Remote Access on Cisco Expressway?

- A. SAML authentication
- B. IPS
- C. Cisco Unified CM publisher address
- D. SSO

**Answer:** C ([LEAVE A REPLY](#))

#### NEW QUESTION: 50

Refer to the exhibit.

**Create transform** You are here: [Configuration](#) > [Dial plan](#) > [Transform](#) > [Create transform](#)

**Configuration**

Priority: 5

Description: Convert Untitled CM supplied domain information to the Expressway SIP domain

Pattern type: Regex

Pattern string: (4\d{3})@exp-name.exp.domain\*)?

Pattern behavior: Replace

Replace string: \1@exp.domain

State: Enabled

Which description of the transformation is true?

- A. It converts 4123@exp-name.exp.domain:<port> to 4123@exp.domain
- B. It converts 4.3@exp-name.exp.domain:<port> to 1@exp.domain
- C. It changes 413@exp-name.exp.domain:<port> to 413@exp.domain
- D. It changes all patterns that begin with 4123@exp-name.exp.domain:<port> to 1@exp.domain

**Answer: A** ([LEAVE A REPLY](#))

#### NEW QUESTION: 51

A Jabber user is being prompted to trust the Expressway-E certificate when using Mobile and Remote Access. The administrator has validated that the Expressway-E certificate is being trusted by the machine running the Jabber client.

What else can be done to solve this problem?

- A. Change the FQDN of the Expressway.
- B. Change the domain name.
- C. Create a new CSR with new information on the SAN field.
- D. Include Cisco Unified Communications Manager registration domain in the Expressway-E certificate as a SAN.

**Answer: (**[SHOW ANSWER](#)**)**

#### NEW QUESTION: 52

When deploying an Expressway Core and Expressway Edge cluster for mobile and remote access, which TLS verify subject name must be configured on the Expressway-E UC traversal zone?

- A. Cisco Unified Communications Manager Publisher FQDN
- B. Expressway-C Cluster Name
- C. Webex CUSP Cluster Name
- D. Expressway-E Cluster Name

**Answer: D** ([LEAVE A REPLY](#))

### NEW QUESTION: 53

Which complication does a NAT introduce in SDP for a SIP call?

- A. The encryption keys advertised in the SDP are only valid for clients not behind a NAT.
- B. The IP address specified in the connection data field may be an unrouteable internal address.
- C. Additional headers due to NAT encapsulation can cause the packet size to exceed the MTU.
- D. When the client is behind a NAT they may be unable to determine the appropriate offset due to time zones.

Answer: ([SHOW ANSWER](#))

### NEW QUESTION: 54

D18912E1457D5D1DDCBD40AB3BF70D5D

Valid from	Friday, October 18, 2019 ...
Valid to	Sunday, October 17, 2022...
Subject	expe.pod1.local, Systems...
Public key	RSA (4096 Bits)
Public key parameters	05 00
Enhanced Key Usage	Server Authentication (1....
Subject Alternative Name	DNS Name=expe.pod1.local
Subject Key Identifier	c7b28ee75e675005198f9...

Refer to the exhibit showing logs from the Expressway-C, a copy of the Expressway-E certificate, and the UC traversal zone configuration for the Expressway-C. An office administrator is deploying mobile and remote access and sees an issue with the UC traversal zone. The zone is showing "TLS negotiation failure". What is causing this issue?

- A. In the UC Traversal Zone on the Expressway-C, the peer address is set to the IP of the Expressway-E, which is not a SAN entry in the Expressway-E certificate
- B. The Expressway-E does not have the FQDN of Cisco UCM listed as a SAN in its certificate
- C. The Expressway-E certificate includes the Expressway-C FQDN as a SAN entry
- D. The Expressway-C is missing the FQDN of Cisco UCM in the Common Name of its certificate

Answer: B ([LEAVE A REPLY](#))

### NEW QUESTION: 55

Refer to the exhibit.

Expressway-C Traversal Zone:  
SIP: Failed to connect to 192.168.1.6:7001

Expressway-C Event Log shows the following:

```
2019-10-23T11:01:51.925-04:00 : Event="Outbound TLS Negotiation Error" Service="SIP" Src-ip="192.168.1.5" Src-port="27204"  
Dst-ip="192.168.1.6" Dst-port="7003" Detail="tlsv1 alert unknown ca"  
Protocol="TLS" Common-name="amer-expressway01.example.com" Level="1" UTCTime="2019-10-23 15:01:51,923"
```

Expressway-C server certificate shows the following decoded output:

Certificate:

Data:

Version: 3 (0x2)

Serial Number: 1 (0x1)

Signature Algorithm: sha256WithRSAEncryption

Issuer: O=Temporary CA fce4028e-92ba-4cbc-9e71-08b959888af4, OU=Temporary CA fce4028e-92ba-4cbc-9e71-08b959888af4,  
CN=Temporary CA fce4028e-92ba-4cbc-9e71-08b959888af4

An Expressway-C and Expressway-E are configured for B2B calling and the Expressway- E zone is set to TLS Verify Currently, calls do not reach the Expressway-C. The Traversal Client zone on the Expressway-C for B2B reports the information in the exhibit for the Peer 1 address.

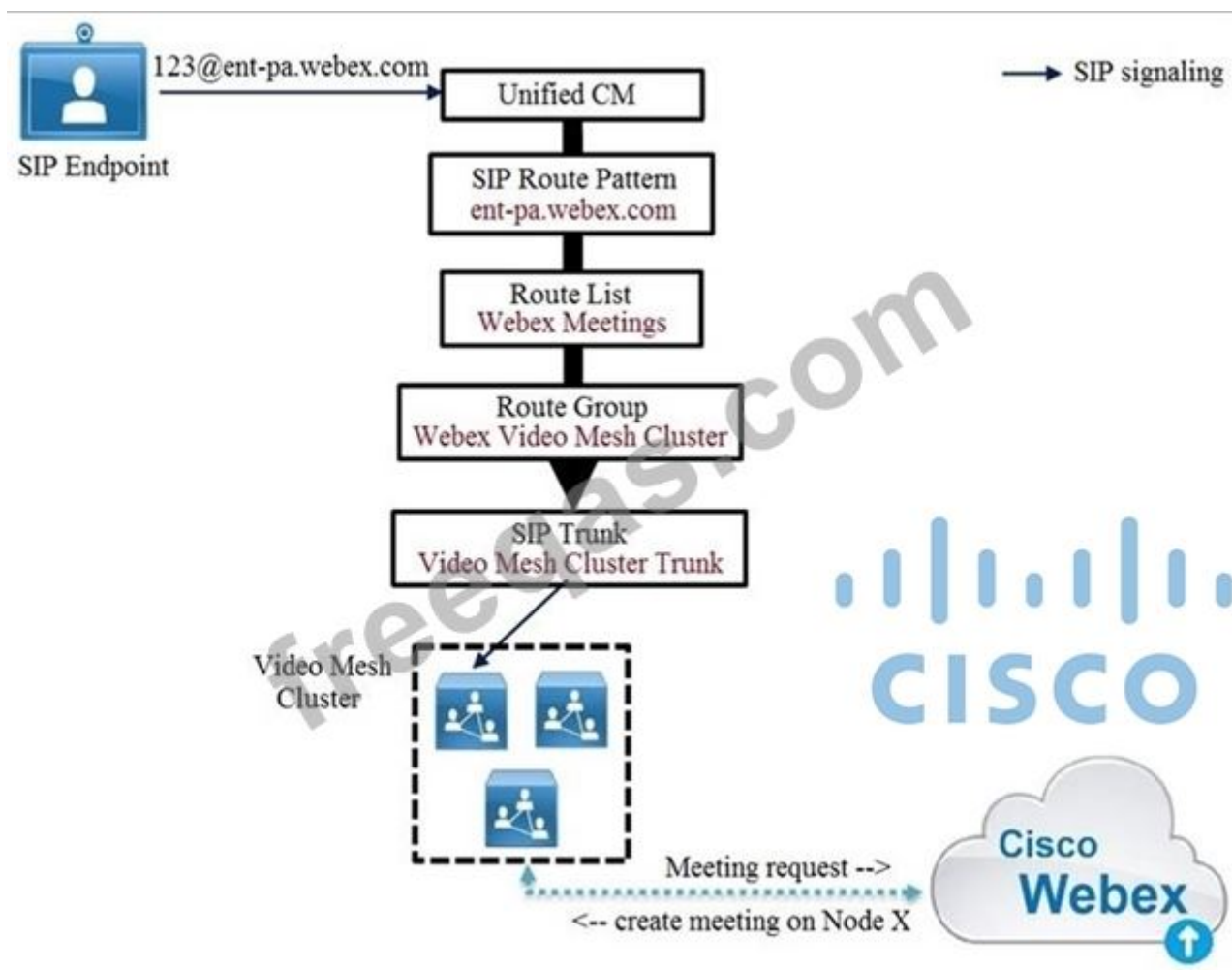
Which action resolves this error?

- A. Configure the Expressway-C Traversal Client zone transport protocol with TCP.
- B. Add an intermediate certificate to the Expressway-C that is signed by a certificate authority.
- C. Add a server certificate to the Expressway-C that is signed by a certificate authority.
- D. Configure the Expressway-C Traversal Client zone Peer 1 address with the fully qualified domain name of the Expressway-E.

**Answer: B (LEAVE A REPLY)**

#### NEW QUESTION: 56

Refer to the exhibit.



Cisco Unified Communications Manager routes the call via the Webex Meetings route list and route group to the Video Mesh cluster Node#1 in the Video Mesh cluster is hosting the meeting and has reached full capacity, but other nodes in the cluster still have spare capacity.

What happens to the participant's call?

- A. Another node in the cluster is used and an intra-cluster cascade between Webex and the new Video Mesh node is formed.
- B. Another node in the cluster is used and an intra-cluster cascade between the two Video Mesh nodes is formed.
- C. The call fails.
- D. The call is queued.

**Answer: A (LEAVE A REPLY)**

#### NEW QUESTION: 57

Refer to the exhibit.

`(\d{3}) (\d{3}) (\d{3}) (\d{3})`

Which two numbers match the regular expression? (Choose two.)

- A. d209d165d200d224
- B. d20d16d20d22

- C. 209165200224
- D. 2091652010224
- E. 209165200225

**Answer: C,E (LEAVE A REPLY)**

**NEW QUESTION: 58**

Refer to the exhibit.

	Expressway-E
<b>Rule name</b>	Enter Block ISDN call for example
<b>Description</b>	Enter Block everything (including nonregistered endpoints)
<b>Priority</b>	Enter 41
<b>Protocol</b>	<i>Any</i>
<b>Source</b>	
<b>Request must be authenticated</b>	<i>No</i>
<b>Mode</b>	<i>Alias pattern match</i>
<b>Pattern type</b>	<i>Regex</i>
<b>Pattern string</b>	Enter (9\d+) (.*) (@example.com)
<b>Pattern behavior</b>	<i>Replace</i>
<b>Replace string</b>	Enter do-not-route-this-call for example
<b>On successful match</b>	<i>Stop</i>
<b>Target</b>	<i>TraversalZone</i>
<b>State</b>	<i>Enabled</i>

An ISDN gateway is registered to Expressway-C with a prefix of 9 and/or it has a neighbor zone specified that routes calls starting with a 9.

Which value should be entered into the "Source" field to prevent toll fraud regardless at origin of the call?

- A. Traversal Zone
- B. All
- C. Neighbor Zone
- D. Any

**Answer: B (LEAVE A REPLY)**

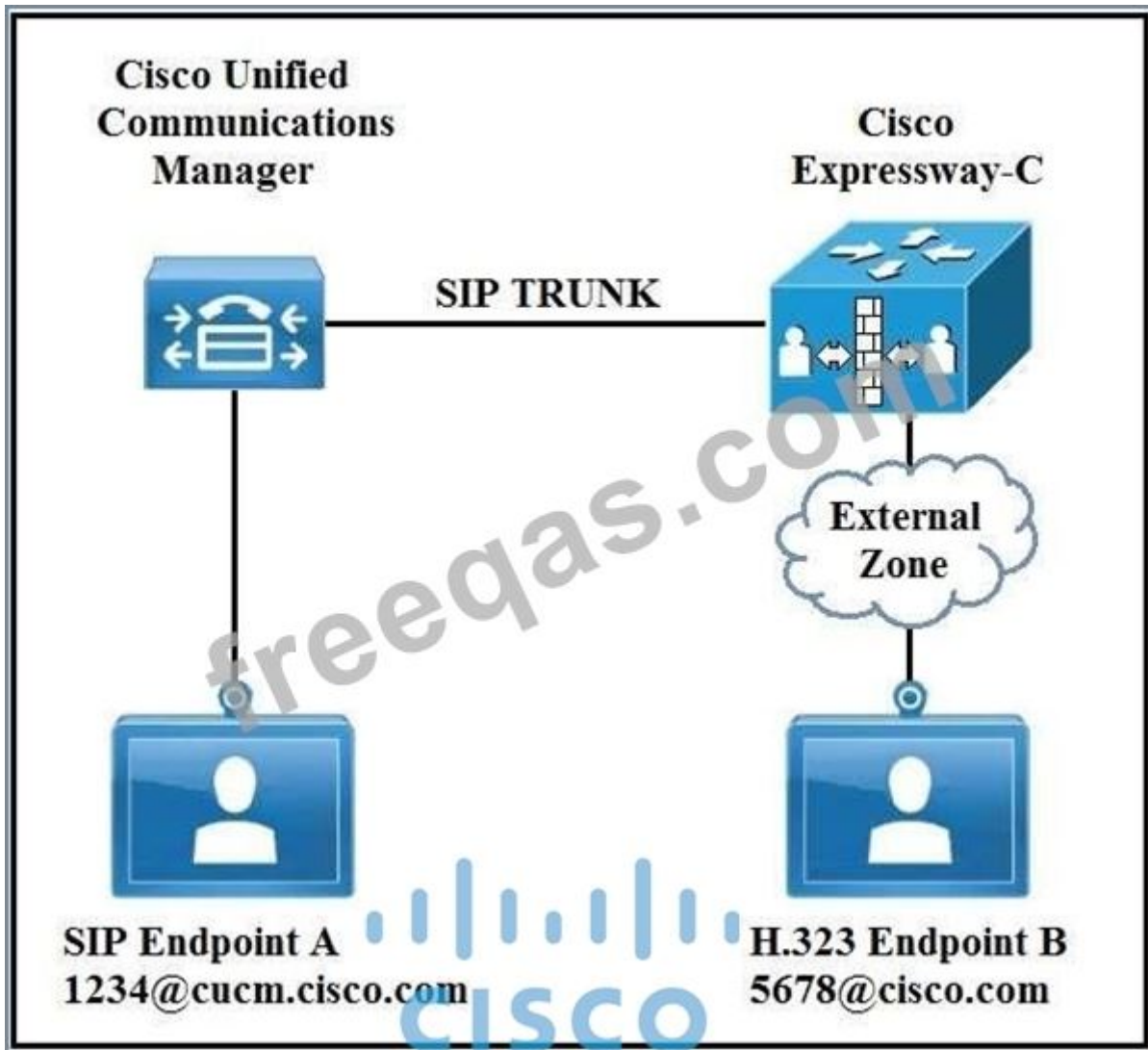
**NEW QUESTION: 59**

What happens to the encrypted signaling traffic of a collaboration device if you place it inside a firewall with private IP addresses and try to make a call over IP without any collaboration infrastructure?

- A. The signaling does not make it back to the endpoint because the firewall cannot inspect encrypted traffic.
- B. The signaling makes it back to the endpoint because the firewall is an application layer gateway and provides address translation.
- C. The signaling makes it back to the endpoint because the endpoint sent the private address to the external endpoint.
- D. Encrypted IP traffic for collaboration devices always is trusted by the firewall.

Answer: D ([LEAVE A REPLY](#))

**NEW QUESTION: 60**



Refer to the exhibit. In an environment SIP devices are registered to CUCM and H.323 devices to VCS.

What would be required to enable these calls to setup correctly?

- A. Change the interworking mode to On.
- B. Change the domain of SIP endpoint A to cisco.com.
- C. Create a presearch transform.
- D. Disable SIP in the external zone.

Answer: ([SHOW ANSWER](#))

**NEW QUESTION: 61**

When an Expressway-E is configured for static NAT, which Session Description Protocol attribute is modified to reflect the NAT address?

- A. SDP c-line
- B. SDP m-line
- C. SIP record route

D. SDP b-line

Answer: ([SHOW ANSWER](#))

**Valid 300-820 Dumps** shared by PrepPdf.com for Helping Passing 300-820 Exam!

PrepPdf.com now offer the **newest 300-820 exam dumps**, the PrepPdf.com 300-820 exam **questions have been updated** and **answers have been corrected** get the **newest**

PrepPdf.com 300-820 dumps with Test Engine here: <https://www.preppdf.com/Cisco/300-820-prepaway-exam-dumps.html> (**205 Q&As Dumps**, **40%OFF Special Discount: Exam-**

**Tests**)

### NEW QUESTION: 62

Refer to the exhibit.

```
C:\Users\Administrator>nslookup
Default Server: Win2016-AD.example.com
Address: 192.168.10.10

> set type=all
> _cisco-uds._tcp.example.com4
Server: Win2016-AD.example.com
Address: 192.168.10.10

_cisco-uds._tcp.example.com          SRV service location:
    priority                = 10
    weight                  = 10
    port                    = 8443
    svr hostname            = cucm.example.com

> _collab-edge._tls.example.com
Server: Win2016-AD.example.com
Address: 192.168.10.10

_collab-edge._tls.example.com        SRV service location:
    priority                = 10
    weight                  = 10
    port                    = 8443
    svr hostname            = expressway-e.example.com

>
```

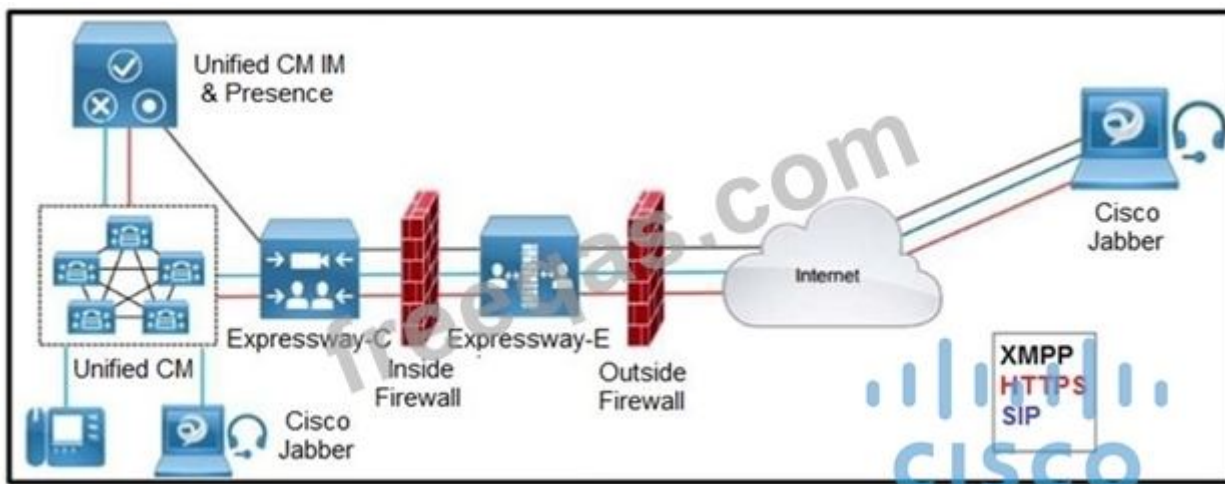
When a Jabber user attempts to connect from outside of the organization, the user enters the login information as "user@example.com" and receives the error "Cannot find your services Automatically". The engineer tries to resolve SRV records used by Jabber. DNS A record "expressway-e.example.com" points to the Expressway-E IP and "cucm.example.com" points to the Cisco Unified Communications Manager. Which change resolves the DNS problem?

- A. Change the priority of the SRV record for cisco-uds.
- B. Change cisco-uds to point to the Expressway-E FQDN.
- C. Remove the cisco-uds SRV record for the external DNS.
- D. Change the collab-edge record to point to 5061.

**Answer: C (LEAVE A REPLY)**

**NEW QUESTION: 63**

Refer to the exhibit.



Which two outbound connections should an administrator configure on the internal firewall? (Choose two.)

- A. HTTPS: TCP 8443
- B. SIP TCP 5061
- C. XMPP: TCP 7400
- D. SIP: TCP 7001
- E. Media: UDP 36012 to 59999

**Answer: C,D (LEAVE A REPLY)**

**NEW QUESTION: 64**

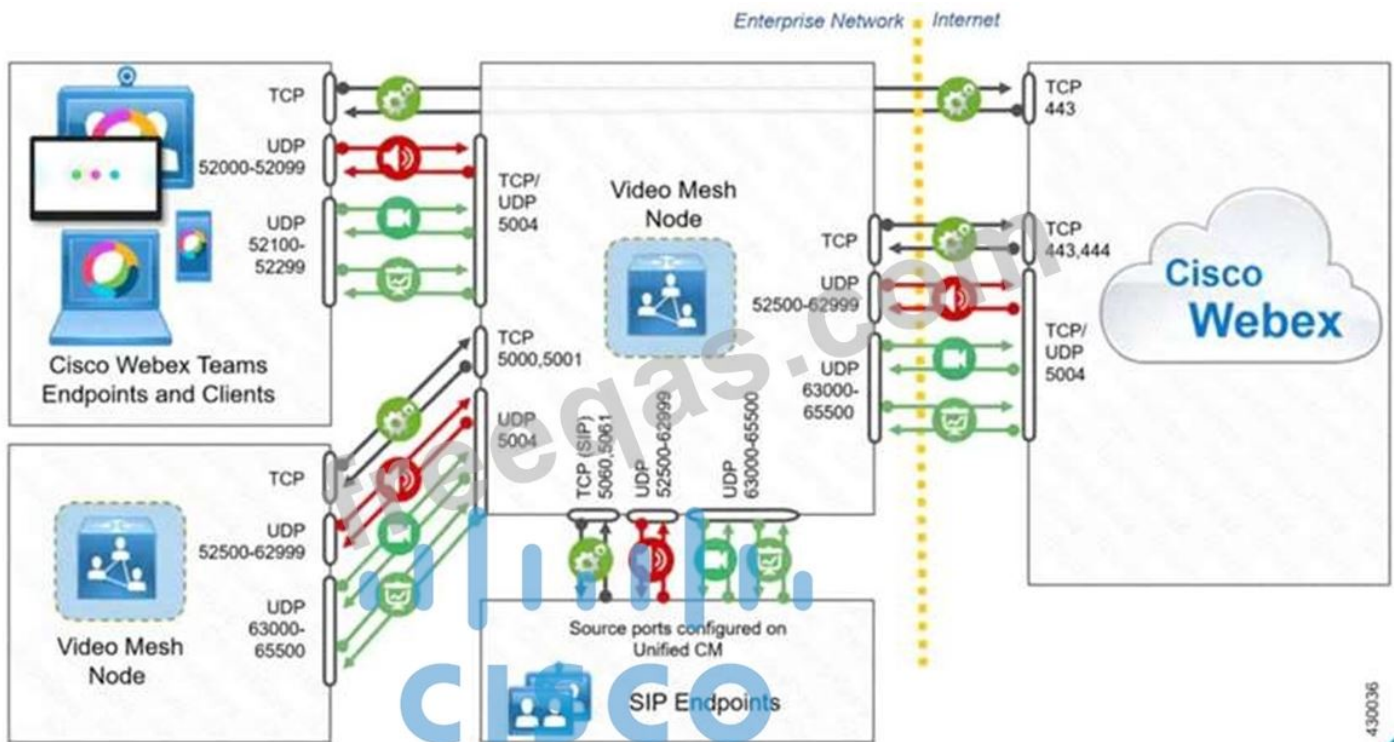
With QoS enabled, which two statements about the Cisco Webex Video Mesh Node signaling and media traffic are true? (Choose two.)

- A. From VMN to CUCM SIP endpoints, the source UDP ports from 52500 to 62999 is used for audio traffic.
- B. From VMN to Webex Teams clients, the source UDP port 5004 is used for video traffic.
- C. From Webex cloud to VMN, the source UDP port 9000 is used for audio traffic.

D. From VMN to video endpoints, the destination UDP port 5004 is used for audio traffic.

E. From VMN to Webex cloud, the destination UDP port 9000 is used for video traffic.

Answer: A,B (LEAVE A REPLY)



NEW QUESTION: 65

Refer to the exhibit.

The screenshot shows a configuration window for a search rule. The fields are as follows:

- Rule name: CCNP-Collab
- Description: CCNP-Collab
- Priority: 1
- Protocol: SIP
- Source: Local Zone
- Request must be authenticated: No
- Mode: Alias pattern match
- Pattern type: Regex
- Pattern string: 1?3+5
- Pattern behavior: Replace
- Replace string: 135
- On successful match: Stop
- Target: Traversal Zone
- State: Enabled

When configuring a search rule that routes calls to a zone, what occurs when 13358 is dialed?

- A. 13358 is sent directly to the traversal zone.
- B. 13358 is replaced by 135, and then is sent to the traversal zone.
- C. 13358 is replaced by 135 and remains in the same zone.
- D. 13358 is replaced by 135, and then is sent to the local zone.

**Answer: B** ([LEAVE A REPLY](#))

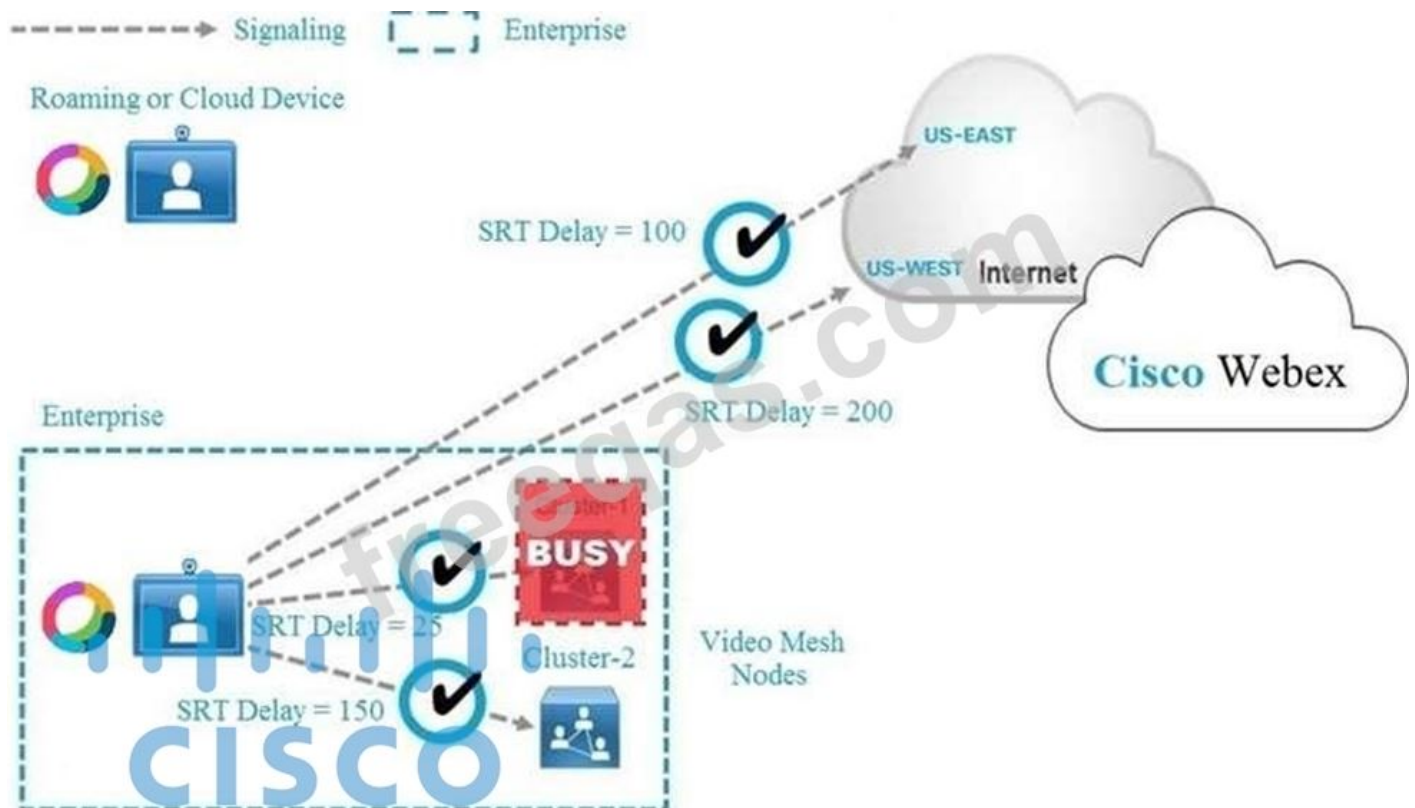
**NEW QUESTION: 66**

Which step is required when configuring cloud and hybrid deployments for Cisco Jabber?

- A. Add Jabber Users to the Cisco Webex Administration Tool.
- B. Add the Jabber user to Expressway-C.
- C. Add the Jabber user to Cisco Unity Connection.
- D. Add the Jabber user to Expressway-E.

**Answer: (SHOW ANSWER)**

**NEW QUESTION: 67**



Refer to the exhibit. If the Webex Teams device cannot connect to Video Mesh Cluster-1 because it is busy, which media node does the Webex Teams device connect to next?

- A. Cloud Node US-EAST
- B. Cloud Node US-WEST
- C. Both Cloud Node US-EAST and US-WEST
- D. Video Mesh Cluster-2

**Answer:** ([SHOW ANSWER](#))

**NEW QUESTION: 68**

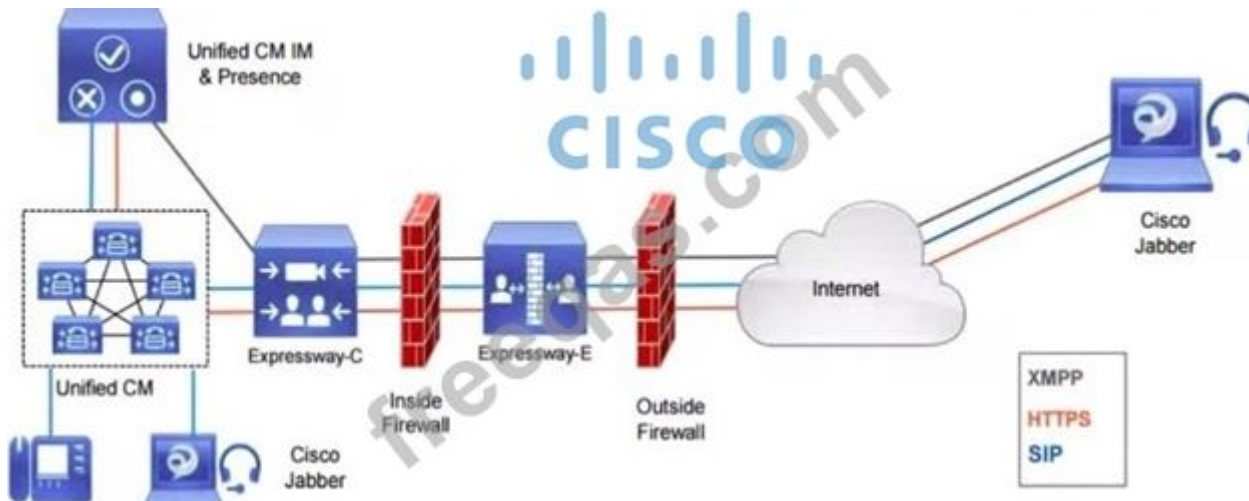
Which mode should be used when Call Policy is configured on Expressways?

- A. remote CPL
- B. on
- C. extended CPL
- D. local CPL, policy service, and off

**Answer:** D ([LEAVE A REPLY](#))

**NEW QUESTION: 69**

Refer to the exhibit.



Which inbound connection should an administrator configure on the outside firewall?

- A. Media: UDP 36000 to 36011
- B. SIP TCP 5061
- C. XMPP TCP 5222
- D. HTTPS (tunneled over SSH between C and E): TCP 2222

**Answer: A (LEAVE A REPLY)**

**Valid 300-820 Dumps** shared by PrepPdf.com for Helping Passing 300-820 Exam!

PrepPdf.com now offer the **newest 300-820 exam dumps**, the PrepPdf.com 300-820 exam **questions have been updated** and **answers have been corrected** get the **newest**

PrepPdf.com 300-820 dumps with Test Engine here: <https://www.preppdf.com/Cisco/300-820-prepaway-exam-dumps.html> (205 Q&As Dumps, **40%OFF** Special Discount: **Exam-**

**Tests**)