

EMC.D-PCM-DY-23.v2025-03-10.q61

Exam Code:	D-PCM-DY-23
Exam Name:	Dell PowerSwitch Campus Deploy 2023
Certification Provider:	EMC
Free Question Number:	61
Version:	v2025-03-10
# of views:	282
# of Questions views:	610
https://www.freeqas.com/qa/EMC/D-PCM-DY-23/EMC.D-PCM-DY-23.v2025-03-10.q61.html	

NEW QUESTION: 1

Which username and password authentication methods do Dell OS6 switches support?

- A. ias, line, and radius
- B. radius, local, and ias
- C. local, line, and ias
- D. line, local, and radius

Answer: B ([LEAVE A REPLY](#))

NEW QUESTION: 2

What is the IP protocol number, in decimal, assigned by IANA for VRRP?

- A. 1443
- B. 443
- C. 112
- D. 25

Answer: C ([LEAVE A REPLY](#))

NEW QUESTION: 3

Which command configures OSPF to advertise the network 10.10.0.0/16 to the Backbone Area?

- A. network 10.10.0.0 0.0.255.255 area 0
- B. network 10.10.0.0 0.0.255.255 area 1
- C. network 10.10.0.0 255.255.0.0 area 1
- D. network 10.10.0.0 255.255.0.0 area 0

Answer: A ([LEAVE A REPLY](#))

NEW QUESTION: 4

What is the purpose of VRRP Authentication?

- A. Ensures administrators are able to log into VRRP

- B. Ensures that only VRRP trusted routers participate in the VRRP process
- C. Ensures that the trusted VRRP router is the Master and untrusted VRRP routers are backup routers
- D. Ensures that only trusted TCP packets are routed

Answer: B ([LEAVE A REPLY](#))

NEW QUESTION: 5

How can a network administrator determine which Dell PowerSwitch N-Series switches can be stacked together?

- A. show system stack-type
- B. show stack
- C. show supported switchtype
- D. show supported stack

Answer: ([SHOW ANSWER](#))

NEW QUESTION: 6

Two switches are part of the same VRRP group with the following priorities configured:

- Switch1: Priority 110
- Switch2: Priority 90
- Switch2 is required to be the Master if interface GigabitEthernet 0/2 on Switch1 fails.

Which configuration should be part of the setup?

- A. Switch1(conf-if-vlan10)# vrrp 1 track interface vlan 20 decrement 100 Switch1(conf-if-vlan10)# no vrrp 1 preempt
- B. Switch1(conf-if-vlan10)# vrrp 1 track interface vlan 20 decrement 100 Switch1(conf-if-vlan10)# vrrp 1 preempt
- C. Switch2(conf-if-vlan10)# vrrp 1 track interface vlan 20 decrement 100 Switch2(conf-if-vlan10)# no vrrp 1 preempt
- D. Switch2(conf-if-vlan10)# vrrp 1 track interface vlan 20 decrement 100 Switch2(conf-if-vlan10)# vrrp 1 preempt

Answer: ([SHOW ANSWER](#))

NEW QUESTION: 7

What is the destination IP address for IPv4 VRRP keep-alives?

- A. 169.254.0.0
- B. VRRP virtual IP
- C. 224.0.0.18
- D. Configured to be any IP

Answer: ([SHOW ANSWER](#))

NEW QUESTION: 8

How does the weighted Queue Scheduler prioritize packets?

- A. Scheduler prioritizes weighted queues over any strict queues
- B. Weight is assigned to each port
- C. Weights are used to calculate the number of bytes
- D. Weights are calculated based on the number of packets

Answer: C ([LEAVE A REPLY](#))

NEW QUESTION: 9

A network administrator is planning a PoE budget for their network.

What is the PoE source maximum power budget for a Class 4 end device?

- A. 60 watts
- B. 15.4 watts
- C. 12.95 watts
- D. 34.2 watts

Answer: D ([LEAVE A REPLY](#))

NEW QUESTION: 10

What is the Administrative Distance of static routes on a Dell PowerSwitch N-Series switch?

- A. 0
- B. 1
- C. 10
- D. 20

Answer: B ([LEAVE A REPLY](#))

NEW QUESTION: 11

A network administrator wants to lock down network access using port security.

What allows an administrator to specify a list of host MAC addresses that are allowed on a port?

- A. Dynamic locking
- B. Static locking
- C. Sticky mode
- D. Switchport mode

Answer: B ([LEAVE A REPLY](#))

NEW QUESTION: 12

A Dell EMC N-Series switch is configured with switchport mode access and ingress filtering.

What is the purpose of ingress filtering?

- A. Allow the port to accept only untagged frames in the configured VLAN
- B. Allow the port to transmit both tagged and untagged frames in the configured VLAN
- C. Allow the port to accept both tagged and untagged frames in the configured VLAN
- D. Allow the port to transmit only untagged frames in the configured VLAN

Answer: ([SHOW ANSWER](#))

NEW QUESTION: 13

Which VLAN ID is reserved as an internal control VLAN for the VLT domain?

- A. VLAN ID 4094
- B. VLAN ID 3094
- C. VLAN ID 5046
- D. VLAN ID 9440

Answer: ([SHOW ANSWER](#))

NEW QUESTION: 14

A network administrator is setting up a Class 5 powered device in their network.

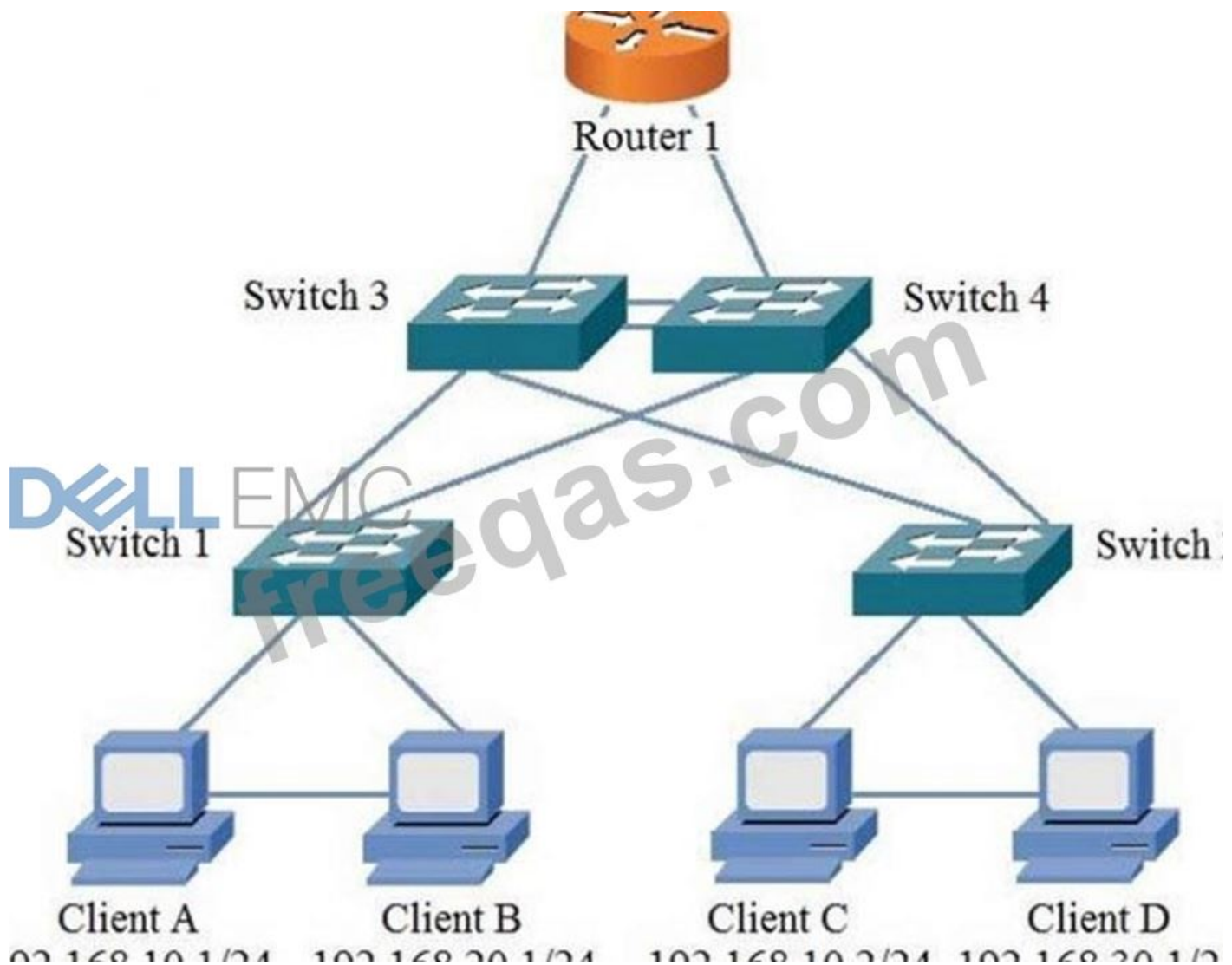
Which Dell EMC N-Serves switch model(s) will support this device?

- A. N1100P and N2000P
- B. N1500P
- C. N3000P only
- D. N2000 and N3000P

Answer: D ([LEAVE A REPLY](#))

NEW QUESTION: 15

If Client B sends a packet to Client A, what is the highest level of the network hierarchy that the packet will transverse?



- A. Distribution
- B. Access
- C. Core
- D. Network

Answer: C ([LEAVE A REPLY](#))

NEW QUESTION: 16

In a Dell EMC Campus networking environment, what are the valid port states for RSTP?

- A. Forwarding, Listening, and Blocking
- B. Forwarding, Learning, and Blocking
- C. Forwarding, Learning, and Discarding
- D. Forwarding, Learning, and Listening

Answer: C ([LEAVE A REPLY](#))

PCM-DY-23 exam **questions have been updated** and **answers have been corrected** get the **newest** PrepPdf.com D-PCM-DY-23 dumps with Test Engine here:

<https://www.preppdf.com/EMC/D-PCM-DY-23-prepaway-exam-dumps.html> (170 Q&As

Dumps, **40%OFF Special Discount: Exam-Tests**)

NEW QUESTION: 17

A core team of network administrators has been tasked with designing the upgrade to a company's campus network. They have been instructed to adhere to the traditional campus networking model. In addition, they need to take five components into consideration; i.e., overall design, site, users, interconnect, and switch features.

What are the architectural principles aligned to switch features?

- A. One size fits all, resiliency, and static design
- B. Wireless, wired, and resiliency
- C. Modularity, resiliency, and static design
- D. Modularity, resiliency, and flexibility

Answer: D ([LEAVE A REPLY](#))

NEW QUESTION: 18

A network administrator added a new Dell EMC N-Series switch into their network with RSTP configured. The spanning-tree priority on all existing switches has been left at the default value. If the administrator wants this new switch to become the spanning tree root, which command should be used?

- A. spanning-tree priority 36864
- B. spanning-tree priority 61440
- C. spanning-tree priority 32768
- D. spanning-tree priority 4096

Answer: ([SHOW ANSWER](#))

NEW QUESTION: 19

A Dell EMC N3048P with two power supplies is configured for Class-Based Power Management. The switch has the following devices connected and fully operational:

- 10x 802.3af PDs negotiating as Class0 devices
- 10x 802.3af PDs negotiating as Class4 devices
- 10x 802.3at PDs negotiating as Class4 devices

How much power is reserved from the PSE budget by the devices referenced above?

- A. 838 Watts
- B. 650 Watts
- C. 1026 Watts
- D. 462 Watts

Answer: ([SHOW ANSWER](#))

NEW QUESTION: 20

What are two benefits of using remote user accounts for switch management? (Select 2)

- A. Higher level of administrative privileges for switches.
- B. Accounts usable across multiple network switches.
- C. Simplified password change management.
- D. Network administrators with individual accounts.
- E. Accounts not dependent on other network resources.

Answer: B,C ([LEAVE A REPLY](#))

NEW QUESTION: 21

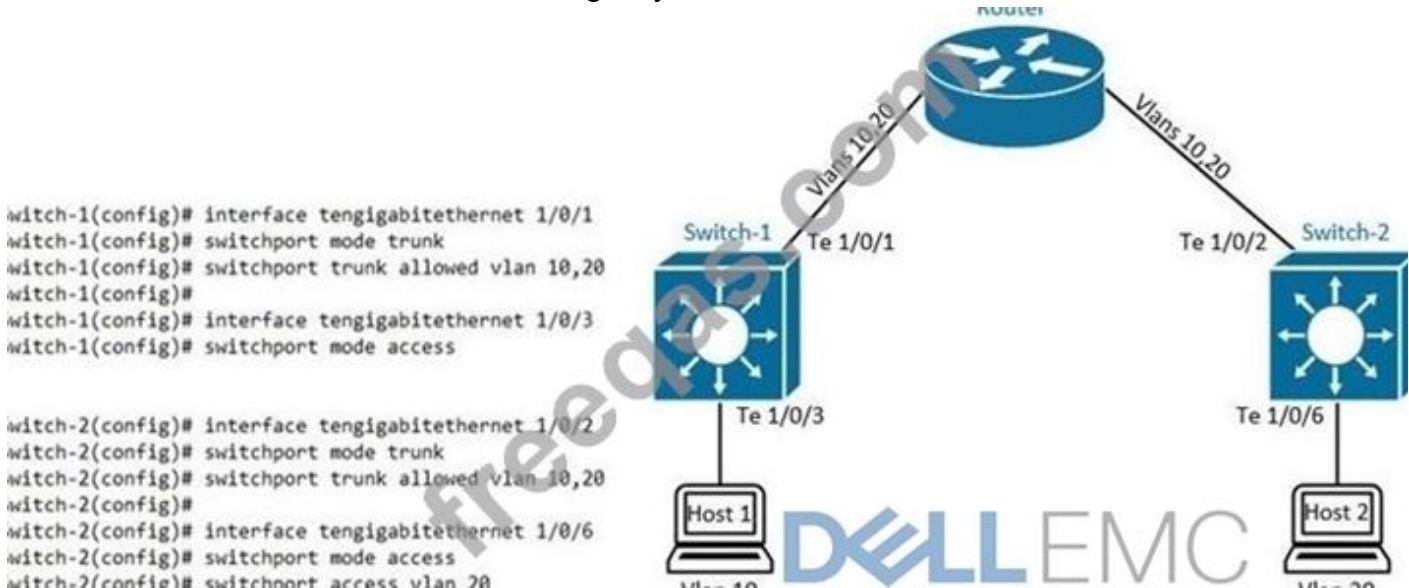
To which destination MAC address are MLAG peer-keepalive packets sent?

- A. B5:00:01:00:00:00
- B. 01:00:C5:00:00:00
- C. 01:00:B5:00:00:00
- D. C5:00:01:00:00:00

Answer: C ([LEAVE A REPLY](#))

NEW QUESTION: 22

A network administrator is troubleshooting why Host 1 cannot communicate with Host 2.



Based on the switch output shown in the graphic, what is the reason for the communication issue?

- A. Port Te1/0/3 for Host 1 is configured incorrectly on Switch-1
- B. Port Te1/0/6 for Host 2 is configured incorrectly on Switch-2
- C. Port Te1/0/2 on Switch-2 is configured incorrectly
- D. Port Te1/0/1 on Switch-1 is configured incorrectly

Answer: ([SHOW ANSWER](#))

NEW QUESTION: 23

Which statement is correct about IPv6?

- A. Supports unicast, multicast, anycast, and broadcast addresses
- B. Supports unicast, and multicast addresses only
- C. Supports unicast, multicast, and anycast addresses only
- D. Supports unicast, multicast, and broadcast addresses only

Answer: C (LEAVE A REPLY)

NEW QUESTION: 24

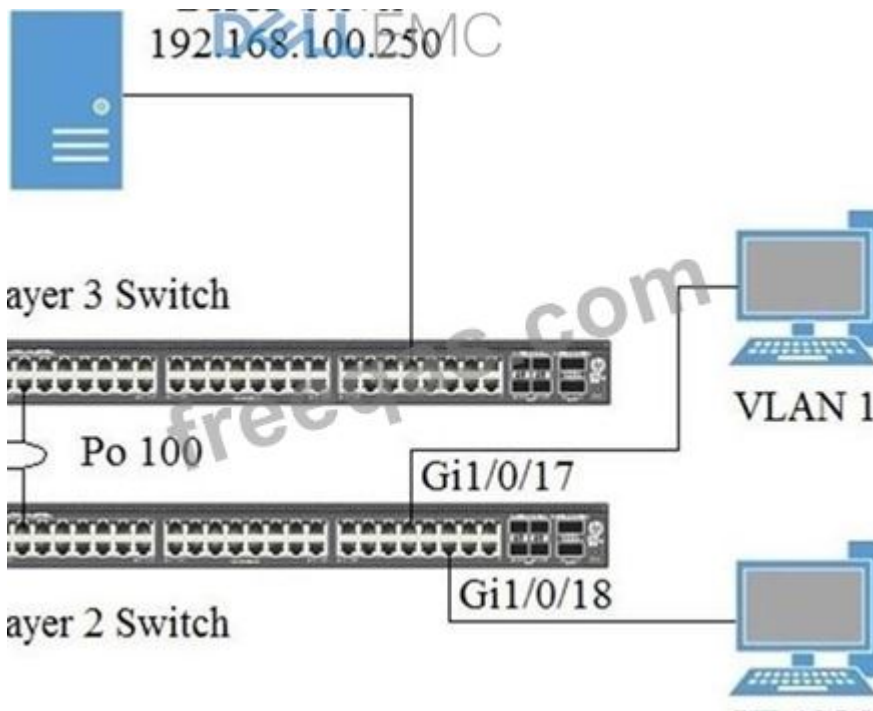
Which command on one switch shows the IP address of both MLAG switches setup to avoid a split- brain scenario?

- A. show vpc link-status
- B. show interface status vpc keepalive
- C. show vpc brief
- D. show vpc peer-keepalive

Answer: D (LEAVE A REPLY)

NEW QUESTION: 25

Refer to the Exhibit.



```
Switch-1(config)# radius server host 10.1.1.111
Switch-1(config-radius)# key "secretkey"
Switch-1(config-radius)# exit
Switch-1(config)# aaa authentication login "LOCAL-AUTH" local
Switch-1(config)# aaa authentication login "REMOTE-AUTH" radius local
Switch-1(config)# aaa authentication enable "REMOTE-AUTH" radius enable Switch-1(config)#
aaa authentication login default tacacs local Switch-1(config)# aaa authentication enable default
tacacs enable Switch-1(config)# line telnet Switch-1(config-telnet)# login authentication
"REMOTE-AUTH" Switch-1(config-telnet)# exit Switch-1(config)# line ssh Switch-1(config-ssh)#
```

login authentication default Switch-1(config)# exit Switch-1(config)# line console Switch-1(config-line)# login authentication "LOCAL-AUTH" Switch-1(config-line)# exit Which authentication method will be used if a user tries to login to the switch when accessing through SSH?

- A. RADIUS, then fails over to a local user account
- B. TACACS, then fails over to a local user account
- C. Local user account
- D. None

Answer: B ([LEAVE A REPLY](#))

NEW QUESTION: 26

A network administrator is configuring a switch for authentication using a RADIUS server.



Based on the graphic, what is incorrectly configured?

- A. RADIUS IP is missing a subnet mask
- B. RADIUS usage must be login
- C. RADIUS name does not match
- D. RADIUS key does not match

Answer: D ([LEAVE A REPLY](#))

NEW QUESTION: 27

Which port security method converts existing dynamically learned MAC addresses on an interface to this mode and not age out?

- A. Dynamic
- B. Static
- C. Sticky
- D. MAC address

Answer: A ([LEAVE A REPLY](#))

NEW QUESTION: 28

You are tasked with deploying a single Dell EMC N-Series switch with a 2-port port-channel to uplink to an existing upstream switch.

The following reflects the upstream switch configuration:

- N4032F#show running-config interface tengigabitethernet 1/0/5 channel-group 1 mode on
- N4032F#show running-config interface tengigabitethernet 1/0/6 channel-group 1 mode on

Which type of port-channel should be configured to successfully uplink?

- A. Static
- B. MLAG
- C. Active
- D. Passive

Answer: A ([LEAVE A REPLY](#))

NEW QUESTION: 29

If a user's IP phone sends a frame to a Dell EMC N-Series switch with a dot1p value of 5 in the frame header, what will the switch do to this frame by default?

- A. Treats it as Critical
- B. Drops all frames with this COS value
- C. Marks it as Discard Eligible
- D. Overwrites the COS value to zero

Answer: A ([LEAVE A REPLY](#))

NEW QUESTION: 30

In a PoE environment, for which device is POE+ most likely to be required?

- A. Environmental Sensors
- B. Access Controls
- C. Wireless Access Points
- D. Voice+Video IP Phones

Answer: ([SHOW ANSWER](#))

NEW QUESTION: 31

Which two functions do the preempt command configure on VRRP? (Select 2)

- A. Required for VRRP tracking to control which router is Primary
- B. Configures the router-to-router election priority
- C. Enables proactive rerouting of traffic to avoid congestion
- D. Enable a higher priority Backup switch to take over as Primary

Answer: ([SHOW ANSWER](#))

Valid D-PCM-DY-23 Dumps shared by PrepPdf.com for Helping Passing D-PCM-DY-23 Exam! PrepPdf.com now offer the **newest D-PCM-DY-23 exam dumps**, the PrepPdf.com D-PCM-DY-23 exam **questions have been updated** and **answers have been corrected** get the **newest** PrepPdf.com D-PCM-DY-23 dumps with Test Engine here:

<https://www.preppdf.com/EMC/D-PCM-DY-23-prepaway-exam-dumps.html> (170 Q&As Dumps, **40%OFF Special Discount: Exam-Tests**)

NEW QUESTION: 32

Which technology is designed to protect against a default gateway failure and downtime in the Dell PowerSwitch N-Series switches?

- A. MLAG
- B. CARP
- C. VRRP
- D. HSRP

Answer: C ([LEAVE A REPLY](#))

NEW QUESTION: 33

What is the size of the 802.1Q header of a VLAN-tagged Ethernet frame?

- A. 4 bytes
- B. 4 bits
- C. 1518 bytes
- D. 1512 bytes

Answer: ([SHOW ANSWER](#)**)**

NEW QUESTION: 34

Which AAA method is only used for 802.1x and never returns an error?

- A. ias
- B. local
- C. enable
- D. line

Answer: A ([LEAVE A REPLY](#))

NEW QUESTION: 35

When upgrading MLAG switches, which switch should be upgraded first with new firmware code?

- A. primary peer switch
- B. Edge switch
- C. secondary peer switch
- D. root bridge switch

Answer: A ([LEAVE A REPLY](#))

NEW QUESTION: 36

N4032F#show interfaces status

Port	Description	Duplex	Speed	Neg	Link State	Flow Ctrl	M	VLAN
Te1/0/5		Full	100	Off	Up	On	A	1
Te1/0/6		Full	1000	Off	Up	Off	A	1

Port Channel	Description	Link State	M	VLAN
Po1		Up	A	1

N4032F#show interfaces port-channel 1

Channel	Ports	Ch-Type	Hash Type	Min-Links	Local Prf	Rx Util	Tx Util
Po1	Active: Te1/0/5 Inactive: Te1/0/6	Dynamic	7	1	Disabled	0	0

Hash Algorithm Type

- Source MAC, VLAN, EtherType, source module and port Id
- Destination MAC, VLAN, EtherType, source module and port Id
- Source IP and source TCP/UDP port
- Destination IP and destination TCP/UDP port
- Source/Destination MAC, VLAN, EtherType, source MODID/port
- Source/Destination IP and source/destination TCP/UDP port
- Enhanced hashing mode

N4032F#

A Dell EMC N-Series switch has been configured with a 2-member port-channel; however, only one link is currently active.

Based on the exhibit, why is only one link active?

- A. Minimum links value for Po1 is set to "1"
- B. Te1/0/6 interface is administratively disabled
- C. Speed setting is different between ports
- D. Hash algorithm is configured for active-passive

Answer: (SHOW ANSWER)

NEW QUESTION: 37

What is the maximum power that a Class 4 PoE device can consume?

- A. 30 watts
- B. 25.5 watts
- C. 15.4 watts
- D. 60 watts

Answer: B (LEAVE A REPLY)

NEW QUESTION: 38

A Master switch failed in a Dell EMC N-Series three-unit switch stack and the Standby switch assumed the role of Master.

What happens when the failed Master switch rejoins the stack after the new Master has taken over?

- A. Switch joins the stack and resumes as the Master
- B. Switch joins the stack as the Standby
- C. Switch must be manually configured to rejoin the stack
- D. Switch joins the stack as a Member

Answer: D ([LEAVE A REPLY](#))

NEW QUESTION: 39

A network administrator is having trouble successfully upgrading the firmware on a Dell EMC N-Series switch.

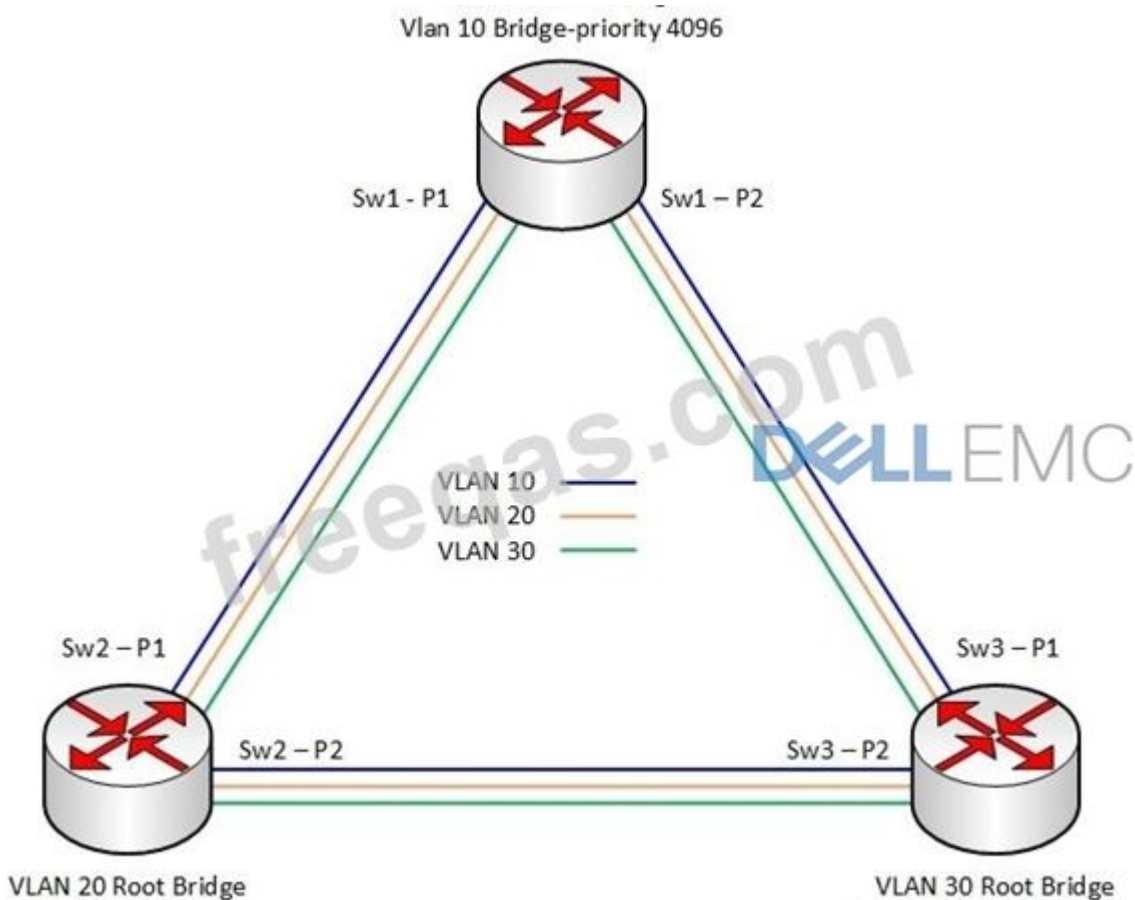
Which transfer protocol should be the last option if all others are not responding?

- A. TFTP
- B. HTTP
- C. XMODEM
- D. FTP

Answer: ([SHOW ANSWER](#))

NEW QUESTION: 40

Refer to the Graphic.



If the switches are configured for RSTP-PV, which ports will be in a discarding state?

- A. VLAN10 - Sw2 - P1, VLAN20 - Sw1 - P1, and VLAN30 - Sw1 - P2

- B. VLAN10 - Sw3 - P1, VLAN20 - Sw3 - P2, and VLAN30 - Sw2 - P2
- C. VLAN10 - Sw1 - P1, VLAN20 - Sw2 - P2, and VLAN30 - Sw3 - P1
- D. VLAN10 - Sw3 - P2, VLAN20 - Sw1 - P2, and VLAN30 - Sw2 - P1

Answer: D ([LEAVE A REPLY](#))

NEW QUESTION: 41

Which two centralized authentication and authorization methods are available for Dell PowerSwitches? (Select 2)

- A. TACACS
- B. LDAP
- C. Active Directory
- D. RADIUS

Answer: ([SHOW ANSWER](#))

NEW QUESTION: 42

An administrator just finished configuring a Dell EMC N-Series switch. After rebooting the switch, the administrator notices that all the configuration settings just entered are gone.

Which command did the administrator fail to enter?

- A. Copy running-config backup-config
- B. Copy startup-config backup-config
- C. Copy startup-config running-config
- D. Copy running-config startup-config

Answer: ([SHOW ANSWER](#))

NEW QUESTION: 43

Which OSPF packet type is sent to the neighbor when LSDB difference is detected?

- A. Hello
- B. LSR
- C. LSU
- D. LSAck

Answer: ([SHOW ANSWER](#))

NEW QUESTION: 44

What is a recommended configuration for an MLAG peer-link on a Dell EMC N-Series switch?

- A. Link must contain multiple interfaces
- B. Spanning tree must be disabled
- C. Spanning tree must be enabled
- D. Link must be a trunk port

Answer: C ([LEAVE A REPLY](#))

NEW QUESTION: 45

A user's host with an IP address of 172.16.1.22/24 is attempting to FTP a file from the server with IP address 10.1.1.99; however, they are unable to connect.

Which access-list is preventing this traffic?

A. # ip access-list ACL3

deny ip any 172.16.2.0 0.0.0.255

B. # ip access-list ACL1

deny ip any host 10.1.1.99

C. # ip access-list ACL2

permit ip 172.16.1.0 0.0.0.255 any

D. # ip access-list ACL4

permit ip host 172.16.1.22 host 10.1.1.99

Answer: ([SHOW ANSWER](#))

NEW QUESTION: 46

Which command should a network administrator use to configure a group of interfaces on a Dell EMC N4000 Series switch?

A. interface range tengigabitethernet 1/0/1, 1/0/8

B. interface tengigabitethernet 1/0/1-8

C. interface range tengigabitethernet 1/0/1-8

D. interface range gigabitethernet 1/0/1-8

Answer: ([SHOW ANSWER](#))

Valid D-PCM-DY-23 Dumps shared by PrepPdf.com for Helping Passing D-PCM-DY-23 Exam! PrepPdf.com now offer the **newest D-PCM-DY-23 exam dumps**, the PrepPdf.com D-PCM-DY-23 exam **questions have been updated** and **answers have been corrected** get the **newest** PrepPdf.com D-PCM-DY-23 dumps with Test Engine here:

<https://www.preppdf.com/EMC/D-PCM-DY-23-prepaway-exam-dumps.html> (170 Q&As

Dumps, **40%OFF Special Discount: Exam-Tests**)

NEW QUESTION: 47

Which commands should a network administrator use to configure a RADIUS server on a Dell EMC N-Series switch?

A. Switch-1(config)# radius auth server 10.1.1.111

Switch-1(config-radius)# name

RADIUS-Server

Switch-1(config-radius)# key "secretKey"

B. Switch-1(config)# radius 10.1.1.111

Switch-1(config-radius)# name RADIUS-Server

Switch-1(config-radius)# key secretkey

C. Switch-1(config)# radius server auth 10.1.1.111

Switch-1(config-radius)# name

RADIUS-Server

Switch-1(config-radius)# key "secretkey"

D. Switch-1(config)# radius auth 10.1.1.111

Switch-1(config-radius)# name "RADIUS-

Server" Switch-1(config-radius)# key "secretKey"

Answer: C ([LEAVE A REPLY](#))

NEW QUESTION: 48

Which type of an attack is considered MAC poisoning?

A. Duplicating the MAC address of a legitimate device so frames are forwarded to the incorrect port

B. Host imitating a trunk port by using tagging and trunking protocols

C. Flooding MAC addresses to the switch to fill its CAM table, causing the switch to act as a hub

D. Host on a VLAN gaining unauthorized access to other VLANs on the network

Answer: A ([LEAVE A REPLY](#))

NEW QUESTION: 49

What is the interaction between CDP, ISDP, and LLDP when communicating configuration information from a Dell EMC Campus networking switch to a Cisco VoIP phone?

A. N-Series switches can be configured to use ISDP or CDP to communicate configuration information with Cisco devices

B. N-Series switches can be configured to use LLDP or CDP to communicate configuration information with Cisco devices

C. N-Series switches can be configured to use only CDP to communicate configuration information with Cisco devices

D. N-Series switches can be configured to use ISDP or LLDP to communicate configuration information with Cisco devices

Answer: D ([LEAVE A REPLY](#))

NEW QUESTION: 50

Which Dell EMC N-Series switch models can have up to 12 of the same switch model in a stack?

A. N2000 and N4000

B. N1100 and N1500

C. N1500 and N4000

D. N1500 and N2000

Answer: A ([LEAVE A REPLY](#))

NEW QUESTION: 51

Which command is used to display the current VLAN and switchport settings?

- A. show interfaces switchport
- B. show vlan
- C. show interfaces traffic
- D. show interfaces status

Answer: A ([LEAVE A REPLY](#))

NEW QUESTION: 52

What describes the operation of a VRRP router in a backup state?

- A. Does not reply to ARP requests
- B. Accepts and processes packets with the virtual router IP address
- C. Sends keepalive messages to the Master router
- D. Receives packets with the virtual MAC address as the destination

Answer: A ([LEAVE A REPLY](#))

NEW QUESTION: 53

In a Dell EMC N-Series switch, what is the default LAG hashing mode?

- A. Enhanced Hashing
- B. Destination MAC, VLAN
- C. Source IP and Source TCP/UDP Port
- D. Source MAC, VLAN

Answer: A ([LEAVE A REPLY](#))

NEW QUESTION: 54

A user connects via serial to a switch in a stack and gets the following message: "CLI-Unavailable" What is the likely reason for this message?

- A. Enable it from the management switch
- B. Line console needs configured
- C. Management switch is rebooting
- D. Connected to stack member switch

Answer: D ([LEAVE A REPLY](#))

NEW QUESTION: 55

A group of four switches are configured to be part of a VRRP group with the following configurations:

- Switch1: IP 192.168.10.11, Priority 11
- Switch2: IP 192.168.10.12, Priority 12
- Switch3: IP 192.168.10.13, Priority 13
- Switch4: IP 192.168.10.14, Priority 14

The switches are initially disconnected from the network and come online in the following order: Switch3, Switch2, Switch4, Switch1.

If preempt is disabled, which switch is expected to be the Primary?

- A. Switch2
- B. Switch3
- C. Switch4
- D. Switch1

Answer: ([SHOW ANSWER](#))

NEW QUESTION: 56

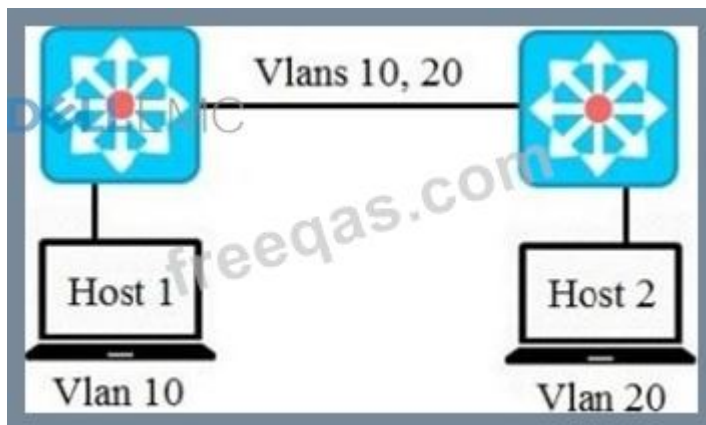
Which function does a VRRP backup router perform?

- A. Processes and responds to ARP requests
- B. Forwards packets to the Master with a destination IP of the virtual IP address
- C. Sends keepalive advertisements to the other backup routers
- D. Receives packets with the virtual MAC address as the destination for other backup routers

Answer: D ([LEAVE A REPLY](#))

NEW QUESTION: 57

Refer to the Exhibit.



A network administrator needs to configure the switches to allow traffic to communicate from Host 1 to Host 2.

Which recommended switch port mode should the interconnecting switch ports be configured?

- A. Trunk
- B. VLAN Stacking
- C. Hybrid
- D. Access

Answer: ([SHOW ANSWER](#))

NEW QUESTION: 58

You need to configure OSPF on a DNOS 6 switch and have entered the following:

```
Switch-1(config)# ip routing -
```

```
Switch-1(config)# interface vlan 20
```

```
Switch-1(config-if-vlan20)# ip address 10.1.20.1 255.255.255.0
```

```
Switch-1(config)# router ospf -
```

```
Switch-1(config-router)# router-id 10.1.1.1
```

Based on the information referenced above, what is missing from the configuration?

- A. router ospf is missing the routing instance
- B. area 0 is missing from the ip routing command
- C. ip ospf area 0 is missing from the interface vlan 20 section
- D. area 0 is missing from the router-id command

Answer: ([SHOW ANSWER](#))

NEW QUESTION: 59

A port has been configured with port-security dynamic with one allowable MAC address. What happens if no frames from that MAC address are seen by the switch within the MAC table age-out time?

- A. Switch will allow the next MAC address it sees to have access on that port
- B. No MAC addresses will be allowed access on that port
- C. All MAC addresses will be allowed access on that port
- D. Only the original MAC address will ever be allowed on that port

Answer: A ([LEAVE A REPLY](#))

NEW QUESTION: 60

Why would a network administrator select MLAG for two switches versus stacking?

- A. MLAG is compatible with Cisco vPC and VSS, and OS10 VLT.
- B. MLAG switches can have VLANs with both redundant and non-redundant ports.
- C. MLAG switches have a shared management IP address.
- D. MLAG switches can be upgraded independently from each other.

Answer: ([SHOW ANSWER](#))

NEW QUESTION: 61

Which technologies can be implemented when configuring policy-based routing?

- A. Route-maps, Policy-maps, and MAC ACLs
- B. Policy-maps, Route-maps, and Extended ACLs
- C. Policy-maps, Extended ACLs, and MAC ACLs
- D. Route-maps, Extended ACLs, and MAC ACLs

Answer: B ([LEAVE A REPLY](#))

Valid D-PCM-DY-23 Dumps shared by PrepPdf.com for Helping Passing D-PCM-DY-23 Exam! PrepPdf.com now offer the **newest D-PCM-DY-23 exam dumps**, the PrepPdf.com D-PCM-DY-23 exam **questions have been updated** and **answers have been corrected** get the **newest** PrepPdf.com D-PCM-DY-23 dumps with Test Engine here:

<https://www.preppdf.com/EMC/D-PCM-DY-23-prepaway-exam-dumps.html> (170 Q&As
Dumps, **40%OFF** Special Discount: **Exam-Tests**)

Valid D-PCM-DY-23 Dumps shared by PrepPdf.com for Helping Passing D-PCM-DY-23 Exam! PrepPdf.com now offer the **newest D-PCM-DY-23 exam dumps**, the PrepPdf.com D-PCM-DY-23 exam **questions have been updated** and **answers have been corrected** get the **newest** PrepPdf.com D-PCM-DY-23 dumps with Test Engine here:
<https://www.preppdf.com/EMC/D-PCM-DY-23-prepaway-exam-dumps.html> (170 Q&As
Dumps, **40%OFF** Special Discount: **Exam-Tests**)