

HP.HPE6-A47.v2022-03-05.q72

Exam Code:	HPE6-A47
Exam Name:	Aruba Certified Design Professional Exam
Certification Provider:	HP
Free Question Number:	72
Version:	v2022-03-05
# of views:	1875
# of Questions views:	720
https://www.freeqas.com/qa/HP/HPE6-A47/HP.HPE6-A47.v2022-03-05.q72.html	

NEW QUESTION: 1

Refer to the exhibit.

Exhibit 1 shows the logical plan, and Exhibit 2 shows the BOM created with IRIS. An architect plans to propose two 5406Rzl switches as a VSF fabric for a campus network core. Which issue with the plan should the architect correct?

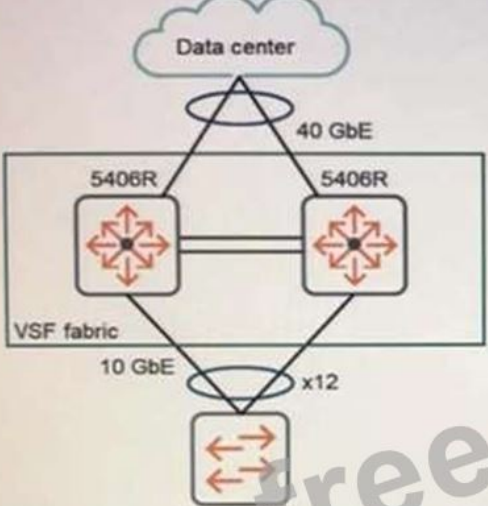


Exhibit 2

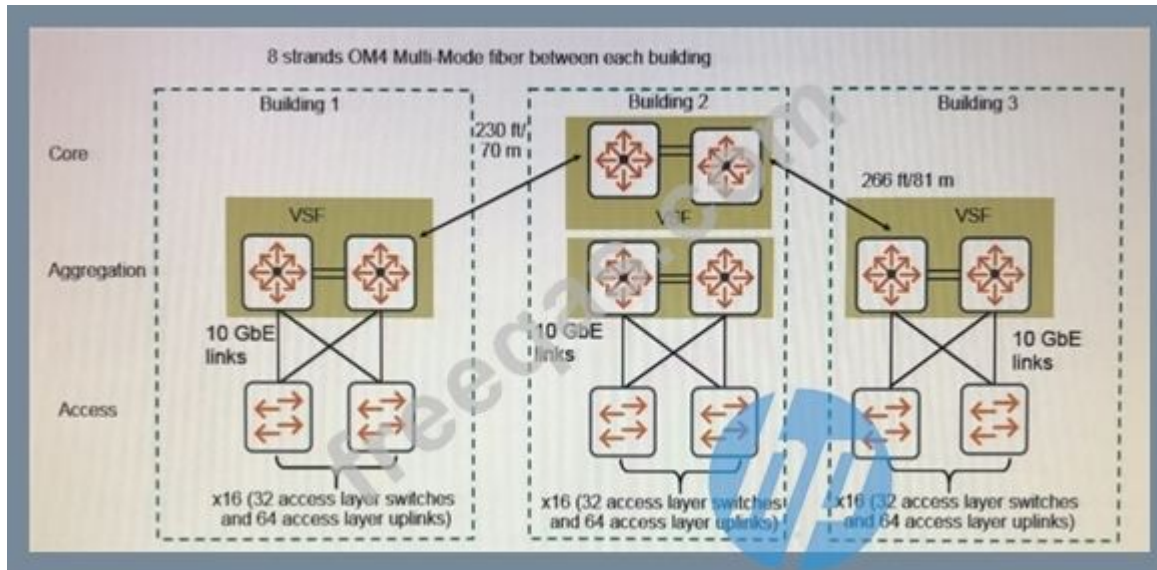
Line#	Part Number	Description	Manufacturer	Unit Price	Quantity	Total	Price List
1.00	39821A	Aruba 5406R z2 Switch	Hewlett Packard Enter...	\$2,419.00	2	\$4,838.00	USA Price List (USD)
1.01	H1MT0E	HPE 3Y FC 24x7 Aruba 5406R z2 Switc SVC [for 39821A]	Hewlett Packard Enter...	\$4,094.00	2	\$8,188.00	USA Price List (USD)
1.02	U4832E	HPE Networks 54xx/82xx z Startup SVC [for 39821A]	Hewlett Packard Enter...	\$2,325.00	2	\$4,650.00	USA Price List (USD)
1.03	39828A	Aruba 5400R 700W PoE+ z2 PSU	Hewlett Packard Enter...	\$799.00	2	\$1,598.00	USA Price List (USD)
1.04	39828A	ABA INCLUDED: Power Cord - U.S. localization	Hewlett Packard Enter...	incl.	2		
1.05	39996A	Aruba 2p 40GbE QSFP+ v3 z2 Mod	Hewlett Packard Enter...	\$6,799.00	4	\$27,196.00	USA Price List (USD)
1.06	39538A	HPE 8-port 10GbE SFP+ v2 z2 Module	Hewlett Packard Enter...	\$4,799.00	4	\$19,196.00	USA Price List (USD)
2.00	3K234A	HPE X242-40G QSFP+ to QSFP+ 1m DAC Cable	Hewlett Packard Enter...	\$419.00	2	\$838.00	USA Price List (USD)

- A. Change the v2 modules to v3 modules.
- B. Add two QSPF+ MP0 SR4 transceivers.
- C. Change the power supply type.
- D. Add stacking modules and cables.

Answer: A (LEAVE A REPLY)

NEW QUESTION: 2

Refer to the exhibit.



An architect selects 5406R switches for the aggregation layer. What is an appropriate amount of bandwidth for the link aggregation between each aggregation layer VSF fabric and the campus core?

- A. 60 Gbps
- B. 200 Gbps
- C. 160 Gbps
- D. 320 Gbps

Answer: B ([LEAVE A REPLY](#))

NEW QUESTION: 3

An architect plans where to deploy new Aruba 320 Series APs at a customer site. The architect plans for the APs to be installed on the ceiling where power is inaccessible. The Ethernet cable run to these locations is CAT6, and the customer wants to support at least 1 GbE connectivity. The architect plans to connect each AP with one Ethernet port to a switch in a nearby wiring closet.

Which feature does the switch need to support for this deployment?

- A. Smart Rate
- B. LACP
- C. Port channel
- D. PoE+

Answer: D ([LEAVE A REPLY](#))

NEW QUESTION: 4

What typically drives the need for an aggregation layer in modern networks?

- A. lack of high speed uplink capabilities at the access layer
- B. simplification of spanning tree protocol at the access layer

- C. insufficient fiber cabling, especially between buildings
- D. need to extend VLANs across wider areas

Answer: B ([LEAVE A REPLY](#))

NEW QUESTION: 5

An architect plans 128 APs to support 12,800 devices in a very high density (VHD) design. The customer requires high availability, so the architect plans to recommend a pair of controllers. What is one reason to recommend 7210 controllers rather than 7205 controllers for this deployment?

- A. the need for high speed 10 GbE ports
- B. the number of device required
- C. the number of APs required
- D. the need for clustering

Answer: ([SHOW ANSWER](#))

NEW QUESTION: 6

The customer has an office environment with users who have laptops that can connect with wired or wireless.

Users also bring one or two of their own devices. An architect creates a proposal with Aruba AP-325s, 7210

Mobility Controllers (MCs), a Mobility Master (MM), and Aruba 2930M switches at the access layer to

support the laptops and APs.

The architect plans to recommend 802.1X authentication without tunnelled node on Aruba 2930M switch ports

that connect to laptops. What is one advantage of this form of authentication?

- A. enables user access control and ensures only authorized users connect.
- B. provides a second layer of protection for wireless users at the internal perimeter
- C. ensures that Aruba firewall policies apply to wired user traffic.
- D. prevents users from connection attempts with more than three devices

Answer: A ([LEAVE A REPLY](#))

NEW QUESTION: 7

A customer needs a networking solution that supports their Microsoft Skype for Business Unified Communications (UC) solution. The architect plans to use multiple Aruba APs, switches, and controllers.

The customer wants real time statistics and assessment of call quality. Which component should the architect

include to provide these services?

- A. Aruba AirWare
- B. Aruba Central

- C. Aruba Mobility Master (MM)
- D. Aruba ClearPass

Answer: B ([LEAVE A REPLY](#))

NEW QUESTION: 8

What is the purpose of Mesh Clusters?

- A. To cluster mesh APs of the same model together.
- B. To separate Mesh points from Mesh Portals.
- C. To enable mesh APs to join the nearest mesh portal cluster.
- D. To define a group of mesh APs that create mesh links with each other.
- E. To ensure that mesh APs with the same VAPs are not in the same cluster.

Answer: ([SHOW ANSWER](#))

NEW QUESTION: 9

An architect needs to choose between an Aruba Mobility Controller (MC) 7010 or 7024. Which customer need indicates that the 7024 is a better choice than the 7010?

- A. the need to support PoE+
- B. the need to connect 20 APs directly to the MC
- C. the need to manage 20 APs
- D. the need to support 2000 users or devices

Answer: D ([LEAVE A REPLY](#))

NEW QUESTION: 10

A customer has several clusters of Aruba 325 Instant APs. The customer is happy with the performance of the current APs, but would like to add a Mobility Controller (MC). What should the architect propose?

- A. the purchase of Universal APs that are the same modes as the current APs.
- B. Aruba ClearPass to onboard the APs as campus APs in the new MC-based deployment
- C. conversion of the existing Instant APs to campus APs (CAPs)
- D. a Virtual Mobility Controller (VMC) which can be licensed to control Instant APs

Answer: ([SHOW ANSWER](#))

Explanation/Reference:

NEW QUESTION: 11

A customer currently has an Instant AP deployment. Which customer requirement would indicate that the customer needs to add a controller to the deployment?

- A. the requirement to apply role-based firewall policies
- B. the requirement for a captive portal for guests
- C. the requirement for a cloud-based management solution
- D. the requirement to provide client-to-site VPN access for remote users

Answer: C ([LEAVE A REPLY](#))

NEW QUESTION: 12

For which scenario does the Aruba backplane stacking technology meet the needs?

- A.** The customer needs to deploy a pair of aggregation switches in the same closet, and wants to simplify the architecture and redundancy design.
- B.** The customer needs to simplify the deployment of core switches which are located in different closets for redundancy purposes.
- C.** The customer needs to expand the network and make it possible for the current core switches to support more MAC forwarding and ARP entries.
- D.** The customer needs to deploy a switch at a branch office and have the switch automatically discover and join the network stack at the main office.

Answer: B ([LEAVE A REPLY](#))

Explanation/Reference:

NEW QUESTION: 13

An architect needs to choose between an Aruba Mobility Controller (MC) 7010 or 7024. Which customer need indicates that the 7024 is a better choice than the 7010?

- A.** the need to manage 20 APs
- B.** the need to support 2000 users or devices
- C.** the need to support PoE+
- D.** the need to connect 20 APs directly to the MC

Answer: ([SHOW ANSWER](#)**)**

NEW QUESTION: 14

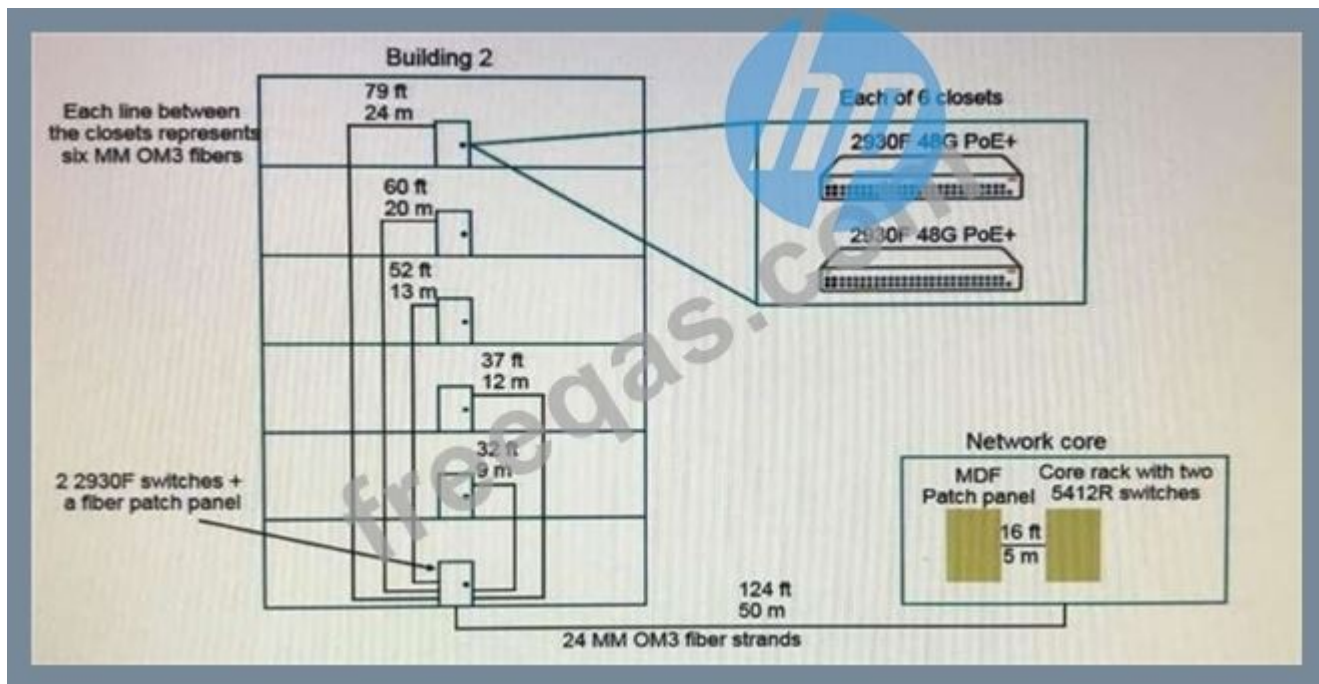
An architect proposes Aruba 2930F switches, which do not have OOBM ports. The customer wants to follow best practices for network management security. Which guideline can the architect follow?

- A.** Assign switches static IP addresses on the same VLAN on which APs are deployed.
- B.** Ensure that DHCP is enabled on only the switch Default VLAN.
- C.** Ensure that Telnet is enabled and set to listen on production VLANs.
- D.** Assign access layer switches IP addresses on a VLAN that is dedicated for switch management.

Answer: C ([LEAVE A REPLY](#))

NEW QUESTION: 15

Refer to the exhibit.



The exhibit shows the current plan for a wired network upgrade.

As much as possible, the customer wants to flatten the architecture and avoid recabling.

However, each Building 2 switch must also maintain connectivity to the core if one link fails. What should the architect propose to meet the customer requirements?

- A. Combine the switches in each Building 2 closet as a VSF fabric; establish two 10 GbE connections to the core per fabric.
- B. Extend additional fiber between the buildings so that each Building 2 switch can have a direct 10 GbE connection to the core.
- C. Connect each Building 2 switch directly to the core on a single fiber strand through the use of SFP+-SR transceivers.
- D. Use two additional 2930F switches to act as an aggregation layer for Building 2; connect them to the core on 40 GbE connections.

Answer: [\(SHOW ANSWER\)](#)

NEW QUESTION: 16

A customer needs a solution to terminate VPN tunnels for Aruba RAPs. The customer has a single site and a single public IP address for this purpose. Network address translation (NAT) will forward the IPsec traffic to the correct device to terminate the VPN tunnel. The customer also requires N+1 redundancy for the solution. Which solution meets the customer requirements?

- A. two Aruba MCs deployed as a Layer 2 cluster
- B. two Aruba MCs deployed as a Layer 3 cluster
- C. two Aruba MCs on the same subnet that use VRRP without clustering
- D. two Aruba MCs on different subnets that use VRRP without clustering

Answer: [B \(LEAVE A REPLY\)](#)

Valid HPE6-A47 Dumps shared by PrepPdf.com for Helping Passing HPE6-A47 Exam! PrepPdf.com now offer the **newest HPE6-A47 exam dumps**, the PrepPdf.com HPE6-A47 exam **questions have been updated** and **answers have been corrected** get the **newest** PrepPdf.com HPE6-A47 dumps with Test Engine here: <https://www.preppdf.com/HP/HPE6-A47-prepaway-exam-dumps.html> (67 Q&As Dumps, **40%OFF Special Discount: Exam-Tests**)

NEW QUESTION: 17

Read this scenario thoroughly, and then answer each question that displays on the right side of the screen.

An architect proposes these products for a customer who wants a wireless and wired upgrade:

- * Aruba 2930M switches at the access layer
- * Aruba 5406R switches at the core
- * Aruba AP-325s
- * Aruba 7205 Mobility Controllers (MCs), deployed in a cluster
- * Aruba Mobility Master (MM)
- * Aruba ClearPass Cx000V
- * Aruba AirWare

The architect also needs to propose a security plan for the solution. The customer has 900 employees and up to

30 guests a day. The customer wants to protect the internal perimeter of the network with authentication and

simple access controls. The customer is most concerned about wireless security, but also wants to ensure that

only trusted users connect on the wire. However, the customer also wants all wired traffic to be forwarded

locally on access layer switches. The customer already has a third-party firewall that protects the data center.

The customer wants to use certificates to authenticate user devices, but is concerned about the complexity of

deploying the solution. The architect should recommend a way to simplify. For the most part users connect

company-issued laptops to the network. However, users can bring their own devices and connect them to the

network. The customer does not know how many devices each user will connect, but expects about two or

three per-user. DHCP logs indicate that the network supports a maximum of 2800 devices.

Refer to the provided scenario. Based on the plan for wired authentication, what is a correct plan for wired user VLANs?

A. specify the VLANs in network policies on AirWare, and ensure that both the switches and MCs are

managed by AirWare

B. assign wired users to different VLANs from wireless users, based on port or role assignments on access

layer switches. Extend the VLANs to the core.

C. configure the same roles on switches and MCs to place wired and wireless users in the same VLANs.

Extend VLANs from access layer switches to the core.

D. use the MCs to assign wired users to their VLANs, and extend the VLANs to a Layer 3 switch connected to the MC

Answer: ([SHOW ANSWER](#))

NEW QUESTION: 18

Refer to the exhibits.

Exhibit 1 shows the logical plan, and Exhibit 2 shows the BOM created with IRIS. An architect plans to propose two 5406Rzl switches as a VSF fabric for a campus network core. Which issue with the plan should the architect correct?

Exhibit 1

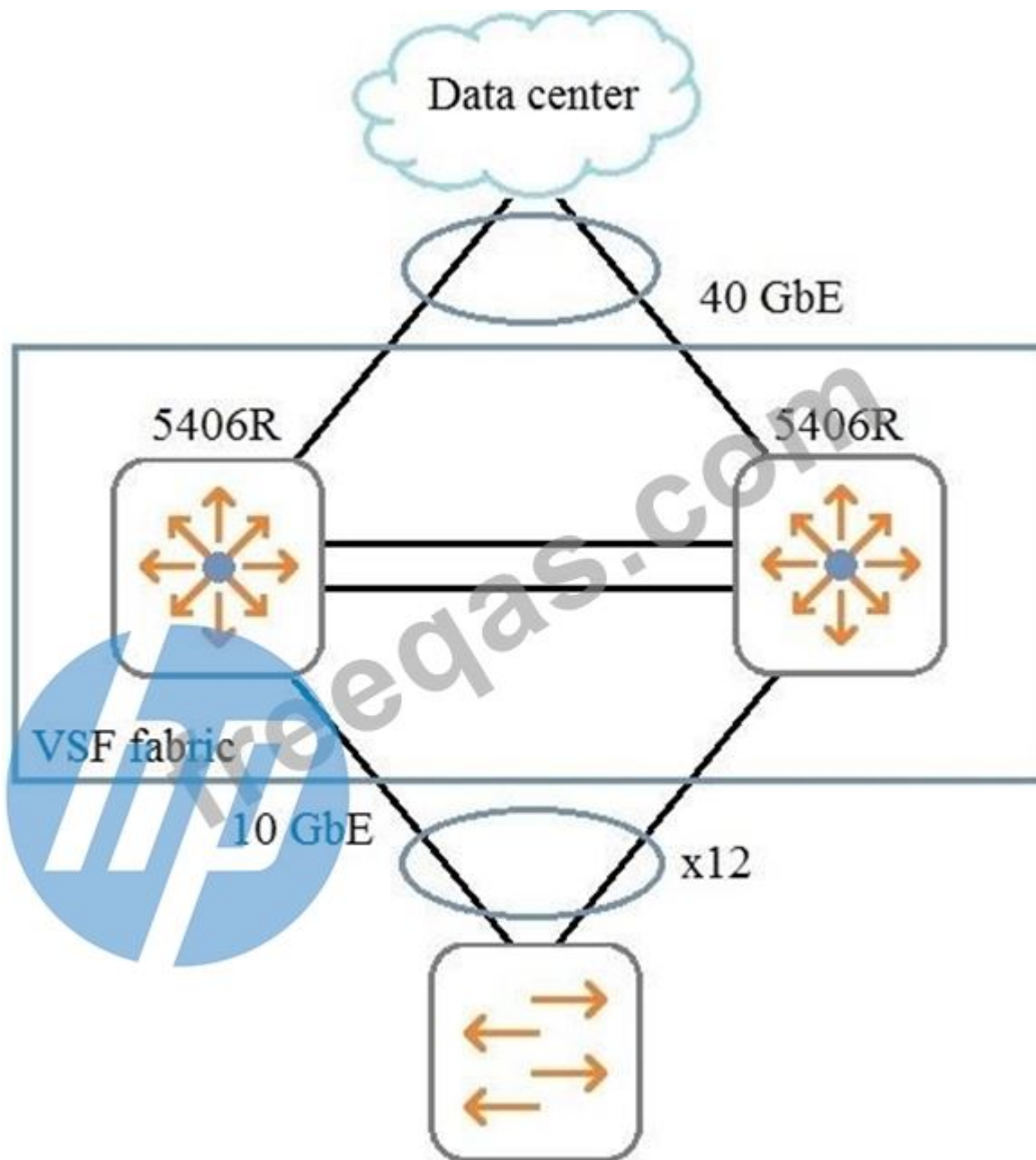


Exhibit 2

Line#	Part Number	Description	Manufacturer	Unit Price	Quantity	Total Price List
1.00	J9821A	Aruba 5406R z12 Switch	Hewlett Packard Enter...	\$2,419.00	2	\$4,838.00 USA Price List (USD)
1.01	H1MT0E	HPE 3Y FC 24x7 Aruba 5406R z12 Switc SVC [for J9821A]	Hewlett Packard Enter...	\$4,094.00	2	\$8,188.00 USA Price List (USD)
1.02	U4832E	HPE Networks 54xx/82xx z1 Startup SVC [for J9821A]	Hewlett Packard Enter...	\$2,325.00	2	\$4,650.00 USA Price List (USD)
1.03	J9828A	Aruba 5400R 700W PoE+ z12 PSU	Hewlett Packard Enter...	\$799.00	2	\$1,598.00 USA Price List (USD)
1.04	J9828A	ABA INCLUDED: Power Cord - U.S. localization	Hewlett Packard Enter...	incl.	2	
1.05	J9996A	Aruba 2p 40GbE QSFP+ v3 z12 Mod	Hewlett Packard Enter...	\$6,799.00	4	\$27,196.00 USA Price List (USD)
1.06	J9538A	HPE 8-port 10GbE SFP+ v2 z1 Module	Hewlett Packard Enter...	\$4,799.00	4	\$19,196.00 USA Price List (USD)
2.00	JH234A	HPE X242 40G QSFP+ to QSFP+ 1m DAC Cable	Hewlett Packard Enter...	\$419.00	2	\$838.00 USA Price List (USD)
Quote Total						\$66,504.00

- A. Change the power supply type.
- B. Change the v2 modules to v3 modules.
- C. Add two QSPF+ MP0 SR4 transceivers.
- D. Add stacking modules and cables.

Answer: B (LEAVE A REPLY)

NEW QUESTION: 19

An architect needs to plan the RF coverage. Which application has the greatest potential impact on RF design?

- A. email
- B. voice
- C. secure web browsing
- D. print

Answer: B ([LEAVE A REPLY](#))

NEW QUESTION: 20

An architect needs to plan an 802.11ac wireless upgrade for a university building. What is one reason that it is important for the architect to identify auditoriums?

- A. Auditoriums typically require the use of 80 MHz channels to meet bandwidth requirements.
- B. Users in Auditoriums often have Bluetooth devices, which can be a source of interference in the 5 GHz band.
- C. Auditoriums typically require a high-density AP design for RF coverage.
- D. Auditoriums often require the use of DFS channels for sufficient 20 MHz channels.

Answer: ([SHOW ANSWER](#))

NEW QUESTION: 21

An architect needs to plan the bandwidth for two Aruba 7240 Mobility Controllers (MCs) which will connect

to the network core. The customer indicates that four 10 GbE links between the network core and the data

center will be adequate. The customer expects almost all traffic in the network will be wireless.

The customer

expects up to 25 Gbps upstream traffic from wireless clients and up to 35 Gbps downstream to wireless clients.

The customer requires the MCs to be able to continue to forward traffic if up to one link fails, but lower

performance during the failover situation is permissible.

What are the minimal links to meet these requirements?

- A. two 10 GbE links on each of the MC
- B. three 10 GbE links on each of the MCs
- C. four 10 GbE links on each of the MCs.
- D. two 40 GbE links in each of the MCs

Answer: ([SHOW ANSWER](#))

NEW QUESTION: 22

An architect proposes an Aruba wireless solution for a customer that uses Microsoft Skype for Business. What

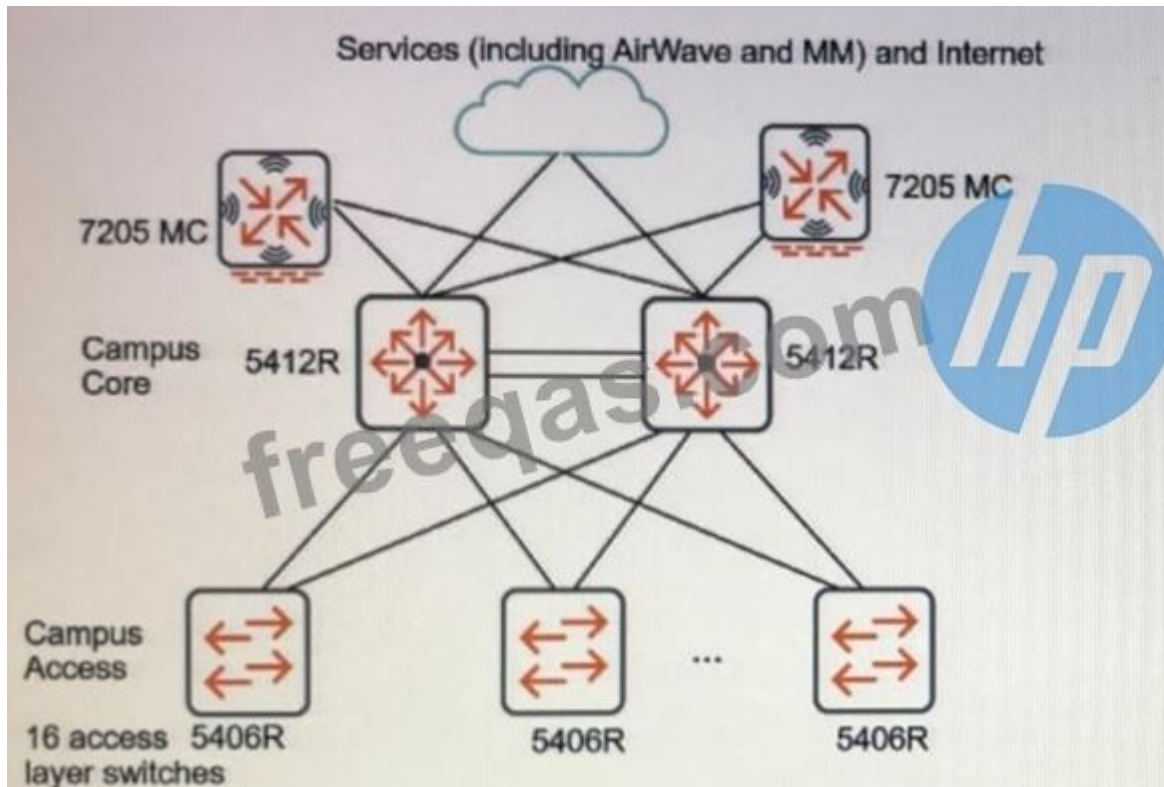
should be set up on the MCs, or MM, to ensure that wireless voice traffic is properly prioritized?

- A. Broadcast suppression combined with AirGroup
- B. Voice-aware Layer 3 roaming
- C. Firewall policies and SDN to mark voice
- D. Airtime Fairness set to fair-access

Answer: **B** ([LEAVE A REPLY](#))

NEW QUESTION: 23

Refer to the exhibit.



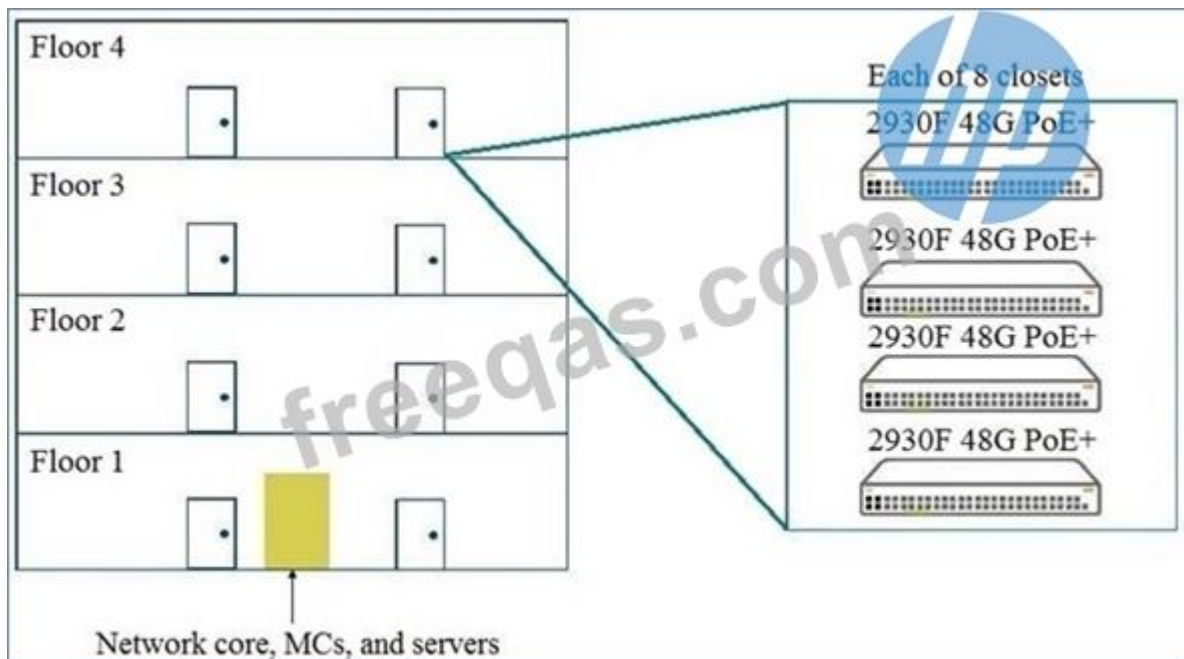
What is one reason for an architect to recommend the use of Virtual Switching Framework (VSF) in this network?

- A. VSF transforms switches into virtual extensions of the MCs to simplify MST management.
- B. VSF simplifies the topology and eliminates the need for spanning tree.
- C. VSF enables software-defined network monitoring in conjunction with AirWare.
- D. VSF enables administrators to manage all 18 switches as a single switch.

Answer: ([SHOW ANSWER](#))

NEW QUESTION: 24

Refer to the exhibit.



An architect needs to plan a network solution for a new office building with four floors. Each floor has two wiring closets with the equipment shown in the exhibit.

The switches will connect to employee desktops, a few campus APs controlled by MCs, and printers. The switches do not implement tunneled node.

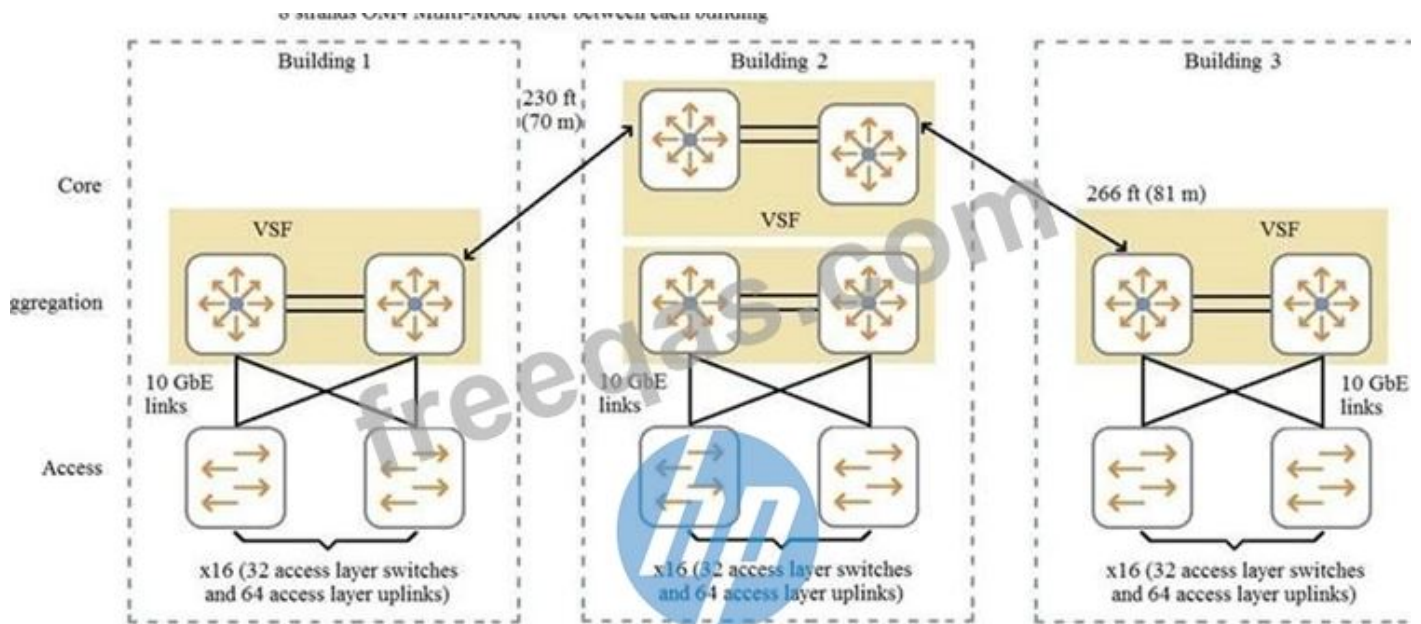
What is a best practice design for the VLANs and subnets for the wired devices?

- A. one VLAN per closet and a /24 subnet for each VLAN
- B. one VLAN for the entire building and a /23 subnet
- C. one VLAN per closet and a /25 subnet for each VLAN
- D. one VLAN per floor and a /24 subnet for each VLAN

Answer: ([SHOW ANSWER](#))

NEW QUESTION: 25

Refer to the exhibit. An architect selects 5406R switches for the aggregation layer. What is an appropriate amount of bandwidth for the link aggregation between each aggregation layer VSF fabric and the campus core?



- A. 200 Gbps
- B. 60 Gbps
- C. 160 Gbps
- D. 320 Gbps

Answer: ([SHOW ANSWER](#))

NEW QUESTION: 26

An architect has an Instant AP (IAP) cluster at a mid-sized branch office. The IAP cluster now needs to tunnel corporate traffic to a Mobility Controller (MC) at the main office. However, the branch office should remain functional even if the link to the main office fails. Users at the branch office require access to main office resources, but do not require multicast services.

What is the recommended DHCP mode?

- A. Distributed L3
- B. Distributed L2
- C. Local
- D. Centralized L2

Answer: ([SHOW ANSWER](#))

NEW QUESTION: 27

A customer needs an 802.11ac upgrade for an office with cubicles. The customer states that, because they planned locations for the existing 802.11n APs so that there are no coverage holes, they will simply deploy the new 802.11ac APs in the same location as the existing APs. The customer plans to support mobile devices in addition to laptops.

What should the architect explain about why a site survey is desirable to determine the optimal locations for the

new APs?

- A.** An 802.11ac deployment typically works better with side-mounted, rather than ceiling-mounted, APs, and a site survey will help determine the new mounting locations.
- B.** 802.11ac APs can support a higher density of clients, so they can be deployed farther apart than the APs in most existing 802.11n deployments.
- C.** 802.11ac AP radios tend to be more sensitive to 2.4 GHz interference than 802.11n APs, so the architect needs to search for all potential sources of such interference.
- D.** The new 802.11ac deployment should have a capacity-based design for the best performance, but the existing deployment sounds like a coverage-based design.

Answer: ([SHOW ANSWER](#))

NEW QUESTION: 28

Which benefit does Aruba AirWare Clarity provide to customer IT staff?

- A.** create a heat map of RF coverage, shows places with interfaces, and helps staff pinpoint the interference source
- B.** provides insight into the security posture of clients connected to the network, whether wired or wireless
- C.** assesses times for clients to obtain DHCP and DNS services to help staff diagnose non-WiFi related issues
- D.** maps all network devices, including APs, MCs, switches, and client devices, and provides information about each node

Answer: **C** ([LEAVE A REPLY](#))

NEW QUESTION: 29

A customer needs a networking solution that supports their Microsoft Skype for Business Unified Communications (UC) solution. The architect discovers that user wireless devices are Wi-Fi Multimedia (WMM) capable. Windows policies assign voice traffic DSCP 46 and video traffic DSCP 34.

Which potential issue should the architect explain to the customer about the default QoS settings?

- A.** The DSCP for wireless client traffic is concealed within the GRE packet on the path from the AP to the controller, and does not take effect.
- B.** DSCP is incompatible with WMM. The Aruba APs and controllers instead use 802.1p to mark traffic to and from wireless devices.

C. The DSCP values place both voice and video traffic in the video VMM queue, so voice does not receive the prioritization that it should.

D. The Aruba APs and controllers use different prioritization mechanism from WMM, so they will not accept high priority traffic from the wireless devices.

Answer: ([SHOW ANSWER](#))

NEW QUESTION: 30

A company purchased an indoor mesh deployment using the 7005 controller and the AP 115 models, where 5 APs will be deployed on a floor to provide wireless internet access for users. Users may open VPN tunnels using software clients over the wireless network to a 3rd party VPN concentrator overseas. The company wants to limit wireless user access to TCP traffic locally and VPN traffic overseas.

In addition to the base AOS, which licenses will be necessary for this deployment?

A. VPN, PEF-NG

B. AP Capacity, PEF-NG

C. AP Capacity, PEF-NG, VPN

D. AP Capacity

E. PEF-NG, PEF-V

Answer: B ([LEAVE A REPLY](#))

Explanation

7-4 - Location

NEW QUESTION: 31

An architect plans 128 APs to support 12,800 devices in a very high density (VHD) design. The customer

requires high availability, so the architect plans to recommend a pair of controllers. What is one reason to

recommend 7210 controllers rather than 7205 controllers for this deployment?

A. the number of APs required

B. the need for high speed 10 GbE ports

C. the number of devices required

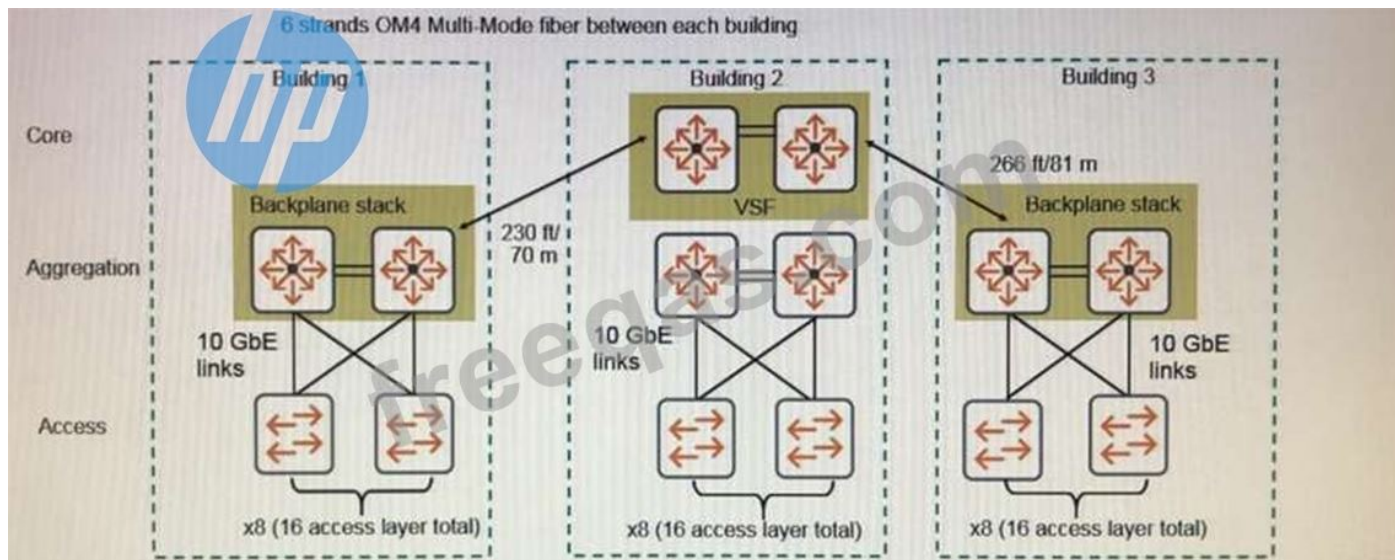
D. the need for clustering

Answer: C ([LEAVE A REPLY](#))

Valid HPE6-A47 Dumps shared by PrepPdf.com for Helping Passing HPE6-A47 Exam! PrepPdf.com now offer the **newest HPE6-A47 exam dumps**, the PrepPdf.com HPE6-A47 exam **questions have been updated** and **answers have been corrected** get the **newest** PrepPdf.com HPE6-A47 dumps with Test Engine here: <https://www.preppdf.com/HP/HPE6->

NEW QUESTION: 32

Refer to the exhibit.



An architect determines that 80 Gbps bandwidth is required for the link aggregation between the Building 1 aggregation layer and Building 2. Which transceivers should the architect recommend for each pair of switches?

- A. two QSPF+ MPO
- B. two QSPF+ BiDi
- C. eight SFP+ SR
- D. eight SFP+ LR

Answer: ([SHOW ANSWER](#))

NEW QUESTION: 33

A plan includes these security settings for the employee WLAN:

- * WPA2-Enterprise with AES encryption
- * 802.1X with PEAP-MSCHAPv2

However, the customer wants to use certificates to authenticate user devices. Which change brings the plan in alignment with the customer requirements?

- A. Add Tunneled TLS (TTLS) as an alternative to PEAP-MSCHAPv2.
- B. The TKIP encryption instead of AES.
- C. Add WPA2-PSK as an alternative to WPA2-Enterprise.
- D. Use EAP-TLS instead of PEAP-MSCHAPv2

Answer: A ([LEAVE A REPLY](#))

NEW QUESTION: 34

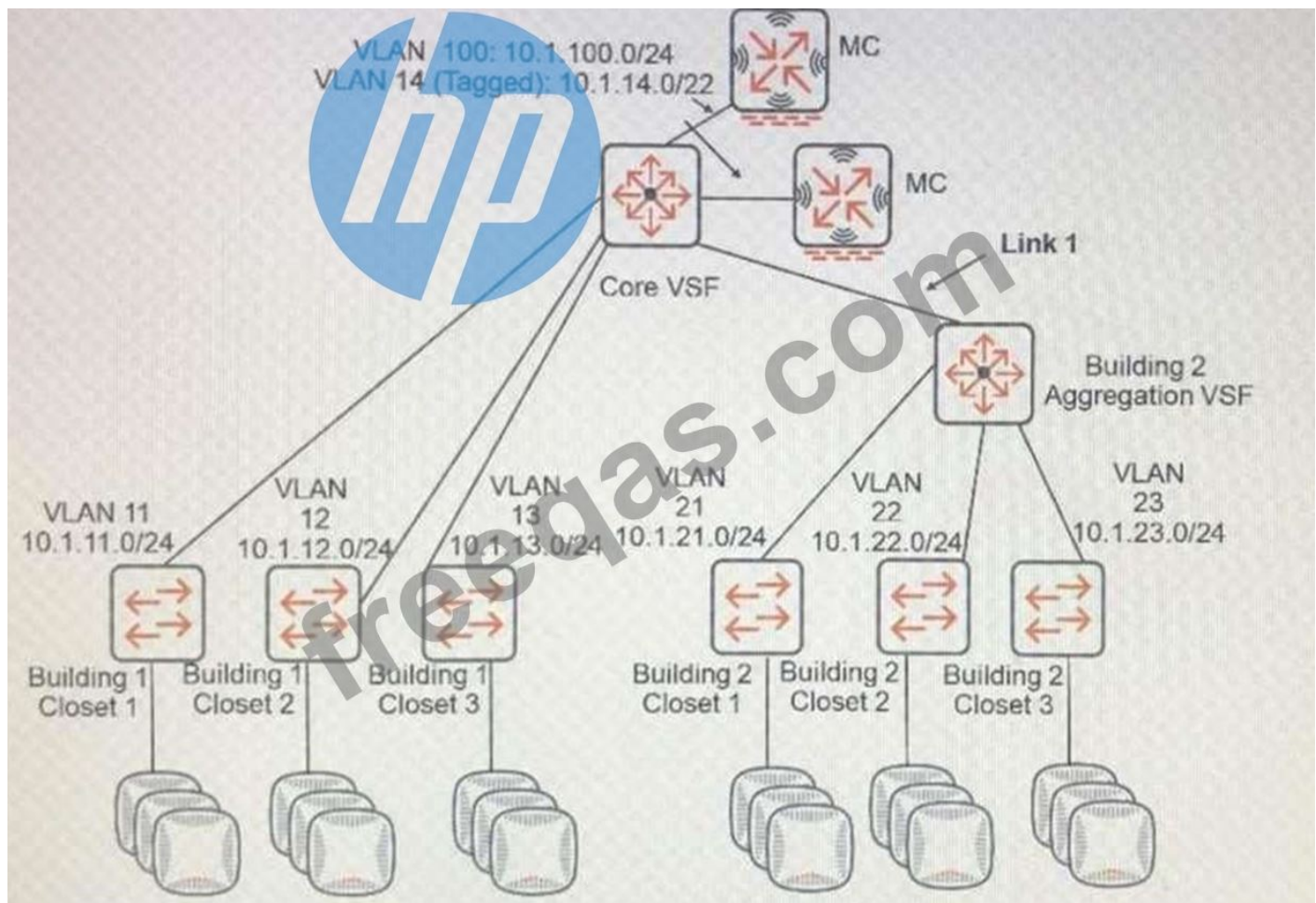
An architect needs to choose between an Aruba Mobility Controller (MC) 7010 or 7024. Which customer need indicates that the 7024 is a better choice than the 7010?

- A. the need to manage 20 APs
- B. the need to support PoE+
- C. the need to support 2000 users or devices
- D. the need to connect 20 APs directly to the MC

Answer: C ([LEAVE A REPLY](#))

NEW QUESTION: 35

Refer to the exhibit.



The customer needs to expand its wired and wireless network to a new building, Building 2, which is near the existing building, Building 1. The exhibit shows the logical plan that the architect has created so far. The aggregation layer switches in the new building should provide the default gateway services for the VLANs in the new building and route traffic to the core. The existing Aruba Mobility Controllers (MCs) will control the new APs.

What should be the VLAN assignment for Link 1, indicated in the exhibit?

- A. an unused VLAN such as 200
- B. the default VLAN and VLAN 14
- C. VLANs 21, 22, and 23 only
- D. VLANs 11, 12, 13, 21, 22, and 23

Answer: D ([LEAVE A REPLY](#))

NEW QUESTION: 36

Read this scenario thoroughly, and then answer each question that displays on the right side of the screen.

An architect proposes these products for a customer who wants a wireless and wired upgrade:

1. Aruba 2930M switches at the access layer
2. Aruba 5406R switches at the core
3. Aruba AP-325s
4. Aruba 7205 Mobility Controllers (MCs), deployed in a cluster
5. Aruba Mobility Master (MM)
6. Aruba ClearPass Cx000V
7. Aruba AirWare

The architect also needs to propose a security plan for the solution. The customer has 900 employees and up to 30 guests a day. The customer wants to protect the internal perimeter of the network with authentication and simple access controls. The customer is most concerned about wireless security, but also wants to ensure that only trusted users connect on the wire. However, the customer also wants all wired traffic to be forwarded locally on access layer switches. The customer already has a third-party firewall that protects the data center.

The customer wants to use certificates to authenticate user devices, but is concerned about the complexity of deploying the solution. The architect should recommend a way to simplify. For the most part users connect company-issued laptops to the network. However, users can bring their own devices and connect them to the network. The customer does not know how many devices each user will connect, but expects about two or three per-user. DHCP logs indicate that the network supports a maximum of 2800 devices.

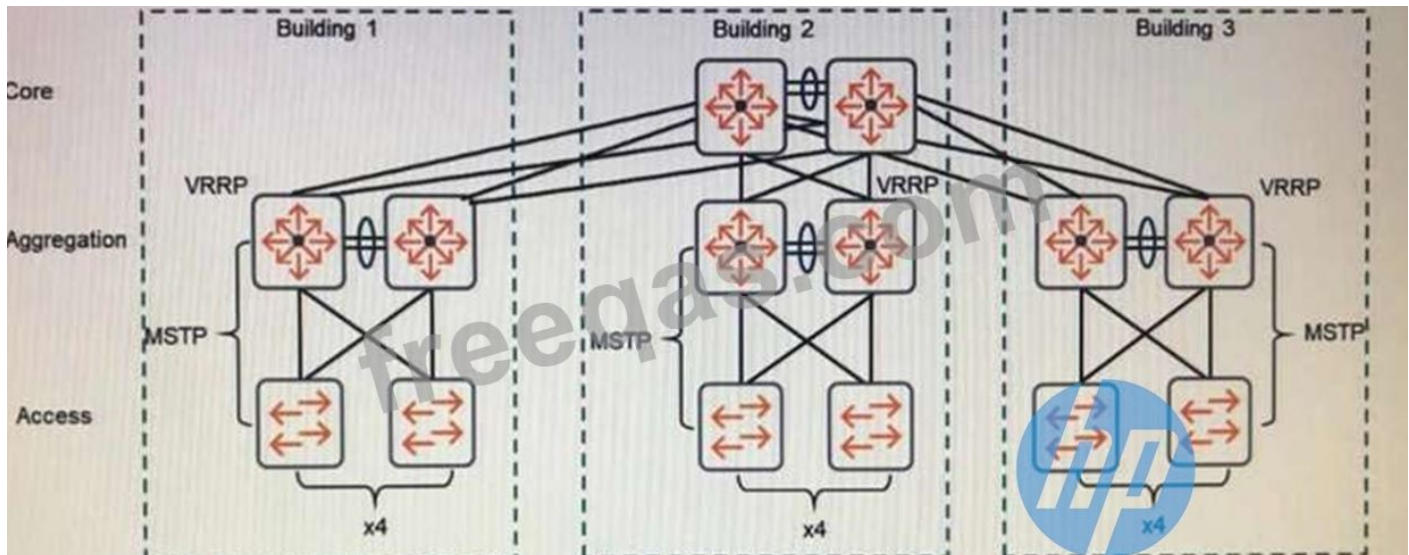
Refer to the provided scenario. Which ClearPass licenses should the architect include in the proposal?

- A.** 3,000 Access licenses (3x1000) and 1000 Onboard licenses
- B.** 1,000 Access licenses and 3,000 (3x1000) Onboard licenses
- C.** 1,000 Access licenses and 1000 Onboard licenses
- D.** 3,000 Access licenses and 3,000 (3x1000) Onboard licenses

Answer: B ([LEAVE A REPLY](#))

NEW QUESTION: 37

Refer to the exhibit.



A customer wants to replace the core and aggregation layer of an existing network. Currently the network routes between the aggregation layer and core, and uses the technologies shown in the exhibit.

The customer now wants to route at the core, instead of the aggregation layer, and extend some of the same VLANs in different buildings. However, the customer cannot eliminate the aggregation layer at this point. What should the architect recommend?

- A. Implement broadcast filtering on switch-to-switch links across all of the buildings.
- B. Create a backplane stack at the aggregation layer and a VSF fabric at the core.
- C. Combine all switches in the aggregation layer and core into a single backplane stack.
- D. Use VRRP on the core and aggregation switches, with the aggregation switches acting as standby.

Answer: C ([LEAVE A REPLY](#))

NEW QUESTION: 38

A customer has a small office building that needs approximately 32 APs. The solution must support basic rogue AP detection and provide a stateful firewall with role-based policies. The customer would like the simplest, most cost-effective deployment that meets their needs.

What should the architect recommend?

- A. Aruba campus APs and an Aruba 7005 Mobility Controller
- B. Aruba remote APs
- C. Aruba Instant APs
- D. Aruba campus APs and a Virtual Mobility Controller

Answer: A ([LEAVE A REPLY](#))

NEW QUESTION: 39

Read this scenario thoroughly, and then answer each question that displays on the right side of the screen.

An architect proposes these products for a customer who wants a wireless and wired upgrade:

* Aruba 2930M switches at the access layer

- * Aruba 5406R switches at the core
- * Aruba AP-325s
- * Aruba 7205 Mobility Controllers (MCs), deployed in a cluster
- * Aruba Mobility Master (MM)
- * Aruba ClearPass Cx000V
- * Aruba AirWare

The architect also needs to propose a security plan for the solution. The customer has 900 employees and up to 30 guests a day. The customer wants to protect the internal perimeter of the network with authentication and simple access controls. The customer is most concerned about wireless security, but also wants to ensure that only trusted users connect on the wire. However, the customer also wants all wired traffic to be forwarded locally on access layer switches. The customer already has a third-party firewall that protects the data center. The customer wants to use certificates to authenticate user devices, but is concerned about the complexity of deploying the solution. The architect should recommend a way to simplify. For the most part users connect company-issued laptops to the network. However, users can bring their own devices and connect them to the network. The customer does not know how many devices each user will connect, but expects about two or three per-user. DHCP logs indicate that the network supports a maximum of 2800 devices. Refer to the provided scenario. Which ClearPass licenses should the architect include in the proposal?

- A. 1,000 Access licenses and 3,000 (3x1000) Onboard licenses
- B. 3,000 Access licenses (3x1000) and 1000 Onboard licenses
- C. 3,000 Access licenses and 3,000 (3x1000) Onboard licenses
- D. 1,000 Access licenses and 1000 Onboard licenses

Answer: A (LEAVE A REPLY)

NEW QUESTION: 40

An architect plans to deploy a Mobility Controller (MC) at one building in subnet 10.23.01.0/24 and another MC in another building in subnet 10.44.12.0/24. The MCs need to provide redundancy for each other. What must the architect take into account in the redundancy plan?

- A. The MCs cannot provide any level of redundancy for each other unless one is moved into the other's subnet.
- B. The MCs cannot be in a cluster, and they must use Virtual Router Redundancy Protocol (VRRP) to provide redundancy for each other.

- C. The MCs can be in a cluster, but the cluster will not support features such as stateful failover.
- D. Each MC can be the backup LMS for the other MCs' APs, but it cannot be in a cluster with the other MC.

Answer: ([SHOW ANSWER](#))

Explanation/Reference:

NEW QUESTION: 41

An architect needs to help a customer design a management and monitoring solution for an Aruba network in

an airport. The solution consists of an Aruba Mobility Master (MM), Aruba 7210 MCs, Aruba AP-335s, and

Aruba 5496R switches. The architect plans to recommend Aruba AirWare.

The airport has a high-client device turnover and many highly mobile devices. Which changes should the

architect make to the recommended solution based on this characteristic?

- A. Recommend extra AirWare device licenses to support the changing number of client devices.
- B. Recommend Aruba Central with guest access licensing to increase guest visibility.
- C. Recommend Aruba Central with a Clarity subscription as a more flexible cloud-based solution.
- D. Recommend additional hardware resources beyond those recommended for the typical tested AirWare platform.

Answer: ([SHOW ANSWER](#))

NEW QUESTION: 42

A customer needs a wireless solution upgrade. Among the devices that need wireless access are printers. What

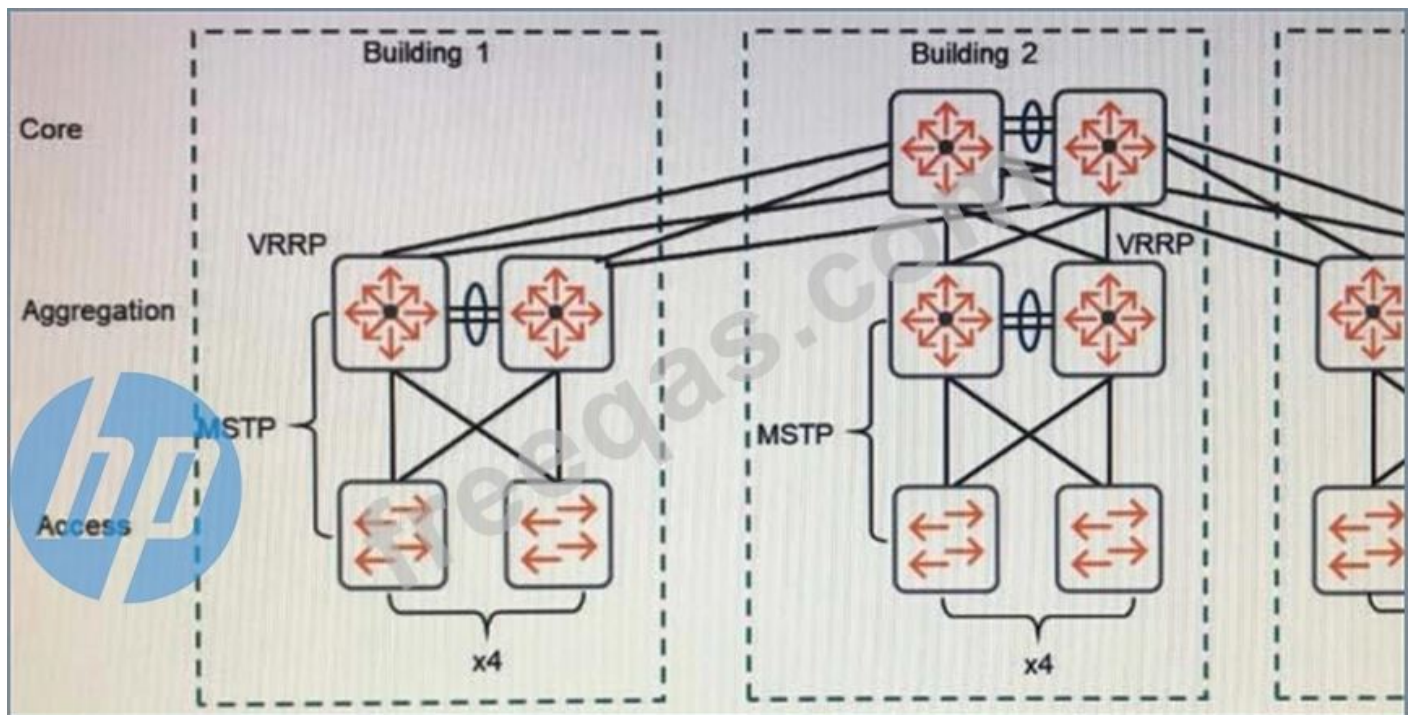
information about the printers does the architect need to plan the wireless solution? (Select two.)

- A. the identify of users who need to access printers
- B. whether the printers support Power over Ethernet (PoE)
- C. the 802.11 standards supported by the printer
- D. whether the printers support 802.1X
- E. whether the printers are physically locked down

Answer: B,C ([LEAVE A REPLY](#))

NEW QUESTION: 43

Refer to the exhibit.



A customer wants to replace the core and aggregation layer of an existing network. Currently the network routes between the aggregation layer and core, and uses the technologies shown in the exhibit.

The customer now wants to route at the core, instead of the aggregation layer, and extend some of the same VLANs in different buildings. However, the customer cannot eliminate the aggregation layer at this point. What should the architect recommend?

- A. Use VRRP on the core and aggregation switches, with the aggregation switches acting as standby.
- B. Implement broadcast filtering on switch-to-switch links across all of the buildings.
- C. Combine all switches in the aggregation layer and core into a single backplane stack.
- D. Create a backplane stack at the aggregation layer and a VSF fabric at the core.

Answer: C (LEAVE A REPLY)

NEW QUESTION: 44

An Aruba wireless solution for a very high density (VHD) wireless solution consists of a Mobility Master (MM) and two Mobility Controllers (MCs). What is the best practice design for routing the wireless traffic?

- A. The MCs provide the default gateway services for wireless devices and use OSPF.
- B. The MCs act at Layer2, and core routing switches act as the default gateway.
- C. The MCs act at Layer2, and the MM acts as the default gateway.
- D. The MCs provide the default gateway services for wireless devices and use static routers.

Answer: C (LEAVE A REPLY)

NEW QUESTION: 45

An architect needs to plan 802.11ac wireless deployment for an office environment with a mix of closed

offices and cubicles. The coverage area is approximately 4,645 square meters (approximately 50,000 square feet) and has 350 users. The employees use the wireless network for typical office applications, such as email, Web, printing, and accessing shared files and datacenter services. The architect plans to do a predictive site survey and use VisualRF to plan the coverage. What is a general estimate for the AP count that the architect should have in mind?

- A. 40-45
- B. 5-10
- C. 20-25
- D. 10-15

Answer: A (LEAVE A REPLY)

NEW QUESTION: 46

An architect needs to plan the bandwidth for two Aruba 7240 Mobility Controllers (MCs) which will connect to the network core. The customer indicates that four 10 GbE links between the network core and the data center will be adequate. The customer expects almost all traffic in the network will be wireless. The customer expects up to 25 Gbps upstream traffic from wireless clients and up to 35 Gbps downstream to wireless clients.

The customer requires the MCs to be able to continue to forward traffic if up to one link fails, but lower performance during the failover situation is permissible.

What are the minimal links to meet these requirements?

- A. three 10 GbE links on each of the MCs
- B. two 40 GbE links in each of the MCs
- C. two 10 GbE links on each of the MC
- D. four 10 GbE links on each of the MCs.

Answer: B (LEAVE A REPLY)

Valid HPE6-A47 Dumps shared by PrepPdf.com for Helping Passing HPE6-A47 Exam! PrepPdf.com now offer the **newest HPE6-A47 exam dumps**, the PrepPdf.com HPE6-A47 exam **questions have been updated** and **answers have been corrected** get the **newest** PrepPdf.com HPE6-A47 dumps with Test Engine here: <https://www.preppdf.com/HP/HPE6-A47-prepaway-exam-dumps.html> (67 Q&As Dumps, **40%OFF Special Discount: Exam-Tests**)

NEW QUESTION: 47

An architect needs to deliver an upgrade to an 802.11ac-based solution for a customer. The customer requires an active site survey for the new deployment. Which deliverable should the architect provide to the customer?

- A. the heat map with proposed AP locations and predictive coverage
- B. a heat map with existing AP locations and actual tested coverage
- C. a heat map with proposed AP locations and actual tested coverage
- D. a heat map with sources of RF interface, both 802.11 and non-802.11

Answer: ([SHOW ANSWER](#))

NEW QUESTION: 48

A customer requires a wireless upgrade. The architect proposes:

Aruba AP-325s

▪
Mobility Controller (MC) 7210s

▪
Virtual Mobility Masters (MMs)

▪
ClearPass

▪
AirWave

▪
The customer is interested in wired authentication, as well as wireless authentication, but does not have the budget to upgrade the wired network. The wired network does not currently support 802.1X or RADIUS.

Which feature of the Aruba solution should the architect explain to justify the proposed solution?

- A. The customer can direct all wired traffic through the MMs, which will impose basic security checks.
- B. The customer can direct all wired traffic through the MCs, which will then apply security to that traffic.
- C. ClearPass OnConnect can enable wired authentication on these switches through the use of SNMP.
- D. AirWave can manage these switches and shut down their ports if an unknown user or device connects.

Answer: C ([LEAVE A REPLY](#))

NEW QUESTION: 49

For which scenario does the Aruba backplane stacking technology meet the needs?

- A. The customer needs to deploy a pair of aggregation switches in the same closet, and wants to simplify the architecture and redundancy design.
- B. The customer needs to simplify the deployment of core switches which are located in different closets for redundancy purposes.
- C. The customer needs to deploy a switch at a branch office and have the switch automatically discover and join the network stack at the main office.

D. The customer needs to expand the network and make it possible for the current core switches to support more MAC forwarding and ARP entries.

Answer: B (LEAVE A REPLY)

NEW QUESTION: 50

An architect needs to plan an 802.11ac wireless upgrade for a university building. What is one reason that it is important for the architect to identify auditoriums?

A. Auditoriums typically require a high-density AP design for RF coverage.

B. Auditoriums typically require the use of 80 MHz channels to meet bandwidth requirements.

C. Users in Auditoriums often have Bluetooth devices, which can be a source of interference in the 5 GHz band.

D. Auditoriums often require the use of DFS channels for sufficient 20 MHz channels.

Answer: D (LEAVE A REPLY)

NEW QUESTION: 51

A customer requires APs that meet these minimal criteria:

1. Support for MU-MIMO
 2. Support for up to four spatial streams, both when MU-MIMO is used and when it is not used
 3. Support for transmissions to up to three MU-MIMO clients at the same time
- The architect finds these specifications for the two models under consideration:

AP-335 = 4x4:4:4:4:3

AP-325 = 4x4:4:4:3:3

What should the architect determine from these specifications?

A. The AP 325 meets the customer requirements, but the AP 335 does not.

B. The AP 335 and the AP 325 do not meet the customer requirements, so consider a different model.

C. The AP 335 meets the customer requirements, but the AP 325 does not.

D. Either the AP 335 or the AP 325 meet the customer requirements.

Answer: (SHOW ANSWER)

NEW QUESTION: 52

Refer to the exhibit.

An architect determines that 80 Gbps bandwidth is required for the link aggregation between the Building

1 aggregation layer and Building 2. Which transceivers should the architect recommend for each pair of switches?

A. two QSFP+ BiDi

B. two QSFP+ MPO

C. eight SFP+ SR

D. eight SPF+ LR

Answer: ([SHOW ANSWER](#))

NEW QUESTION: 53

An architect plans to purpose an Aruba wireless solution with several Mobility Controllers (MCs) and a Mobility Master (MM) architecture. Wireless users run Skype for Business, a Unified Communications (UC) solution. The architect plans to use the Aruba SDN capabilities to integrate with the UC solution.

What helps to support high availability specifically for the SDN services?

- A. a redundant master MC
- B. backup controllers defined on the APs
- C. a redundant MM
- D. a cluster deployment for MCs

Answer: ([SHOW ANSWER](#))

NEW QUESTION: 54

A customer requires APs that meet these minimal criteria:

- * Support for MU-MIMO
- * Support for up to four spatial streams, both when MU-MIMO is used and when it is not used
- * Support for transmissions to up to three MU-MIMO clients at the same time

The architect finds these specifications for the two models under consideration:

AP-335 = 4x4:4:4:4:3

AP-325 = 4x4:4:4:3:3

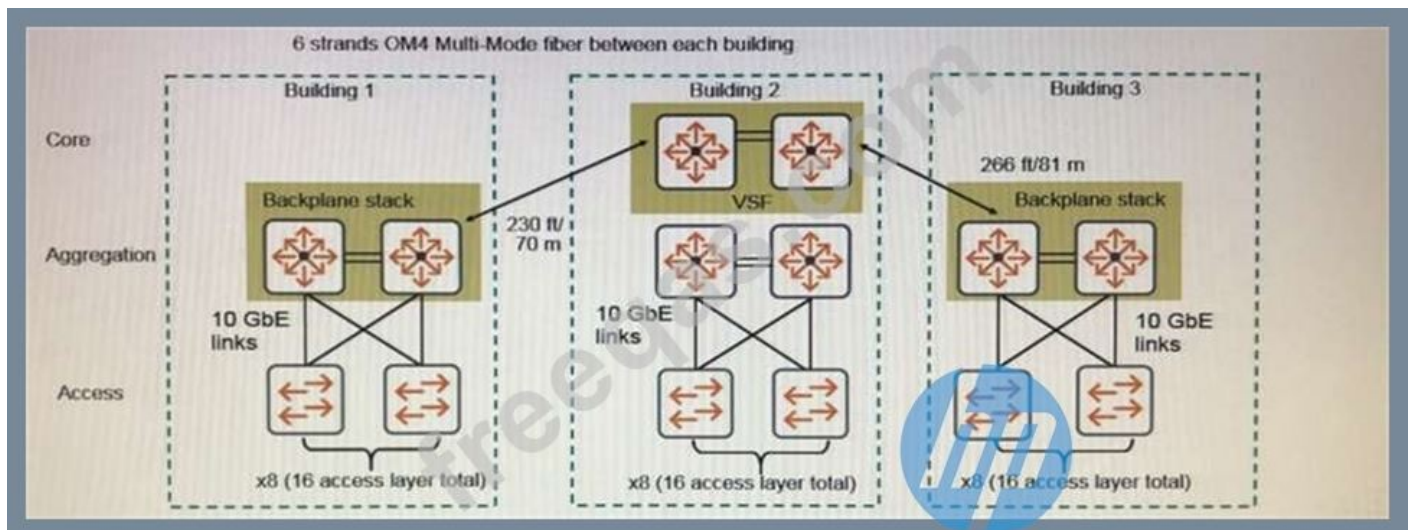
What should the architect determine from these specifications?

- A. The AP 325 meets the customer requirements, but the AP 335 does not.
- B. The AP 335 meets the customer requirements, but the AP 325 does not.
- C. Either the AP 335 or the AP 325 meet the customer requirements.
- D. The AP 335 and the AP 325 do not meet the customer requirements, so consider a different model.

Answer: ([SHOW ANSWER](#))

NEW QUESTION: 55

Refer to the exhibit.



An architect determines that 80 Gbps bandwidth is required for the link aggregation between the Building

1 aggregation layer and Building 2. Which transceivers should the architect recommend for each pair of switches?

- A. two QSPF+ BiDi
- B. eight SFP+ SR
- C. eight SPF+ LR
- D. two QSPF+ MPO

Answer: ([SHOW ANSWER](#))

NEW QUESTION: 56

When configuring split tunnel mode on a Remote AP (RAP) where is the routing function for the split tunnel defined?

- A. On the AP provisioning screen.
- B. In the Firewall policy
- C. In the RAP whitelist
- D. On the IP routing tab in the configuration screen.
- E. In the RAP static routing tables

Answer: B ([LEAVE A REPLY](#))

NEW QUESTION: 57

A Remote AP provisioned in "Split-Tunnel" Forwarding mode has which of the following characteristics?.

- A. User Traffic is CPsec encrypted before it is sent to the controller.
- B. The user role must have a "permit dst-nat" statement to locally bridge the traffic.
- C. The RAP uses UDP 4500 to send traffic to the controller.
- D. Local traffic first goes to the controller and is then split back to the local network.
- E. The user role must have a "Permit" statement in order to locally bridge the traffic.

Answer: C ([LEAVE A REPLY](#))

NEW QUESTION: 58

The customer has an office environment with users who have laptops that can connect with wired or wireless. Users also bring one or two of their own devices. An architect creates a proposal with Aruba AP-

325s, 7210 Mobility Controllers (MCs), a Mobility Master (MM), and Aruba 2930M switches at the access layer to support the laptops and APs.

The architect plans to recommend 802.1X authentication without tunneled node on Aruba 2930M switch ports that connect to laptops. What is one advantage of this form of authentication?

- A. provides a second layer of protection for wireless users at the internal perimeter
- B. ensures that Aruba firewall policies apply to wired user traffic.
- C. prevents users from connection attempts with more than three devices
- D. enables user access control and ensures only authorized users connect.

Answer: ([SHOW ANSWER](#))

NEW QUESTION: 59

An architect plans to purpose two Aruba Mobility Controllers (MCs) in a cluster. The customer has a large building that needs to support about 10,000 devices.

The architect plans to associate the Employees WLAN with VLAN ID 10.

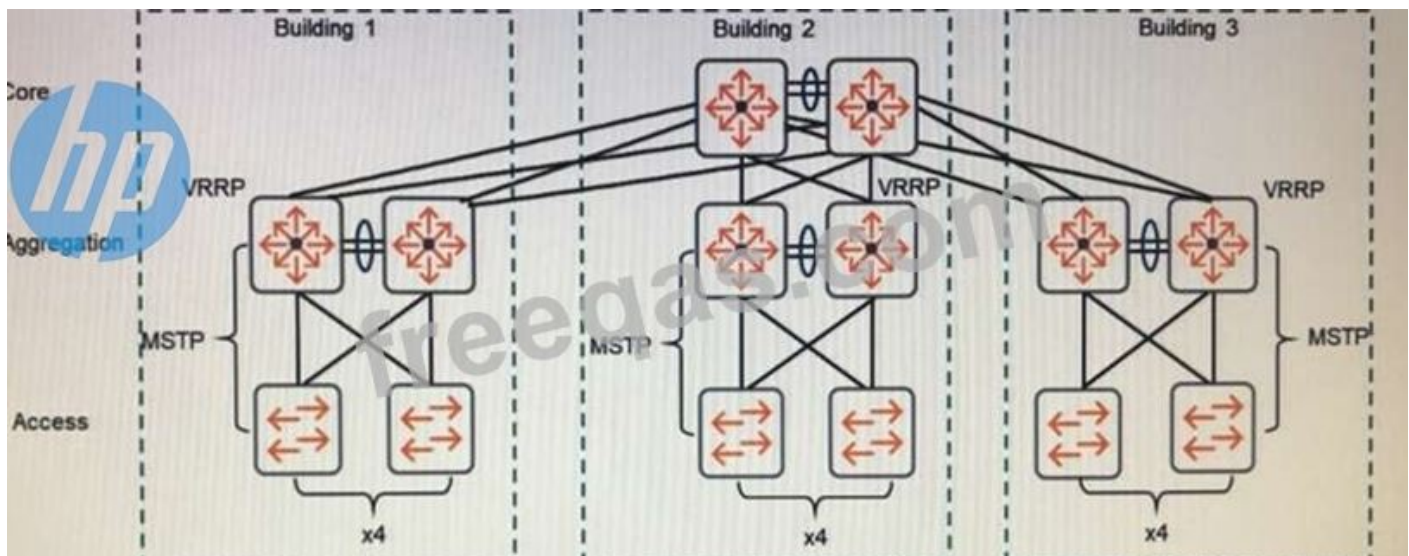
What is one Aruba best practice for this design?

- A. Ensure that optimization and suppression of unnecessary multicast is enabled.
- B. Ensure that the RADIUS server assigns users to different VLANs dynamically.
- C. Ensure that VLAN 10 is extended to the edge and Aruba APs are deployed on it.
- D. Ensure that each user role on the MCs is associated with a different VLAN ID.

Answer: B ([LEAVE A REPLY](#))

NEW QUESTION: 60

Refer to the exhibit.



A customer wants to replace the core and aggregation layer of an existing network. Currently the network routes between the aggregation layer and core, and uses the technologies shown in the exhibit.

The customer now wants to route at the core, instead of the aggregation layer, and extend some of the same VLANs in different buildings. However, the customer cannot eliminate the aggregation layer at this point.

What

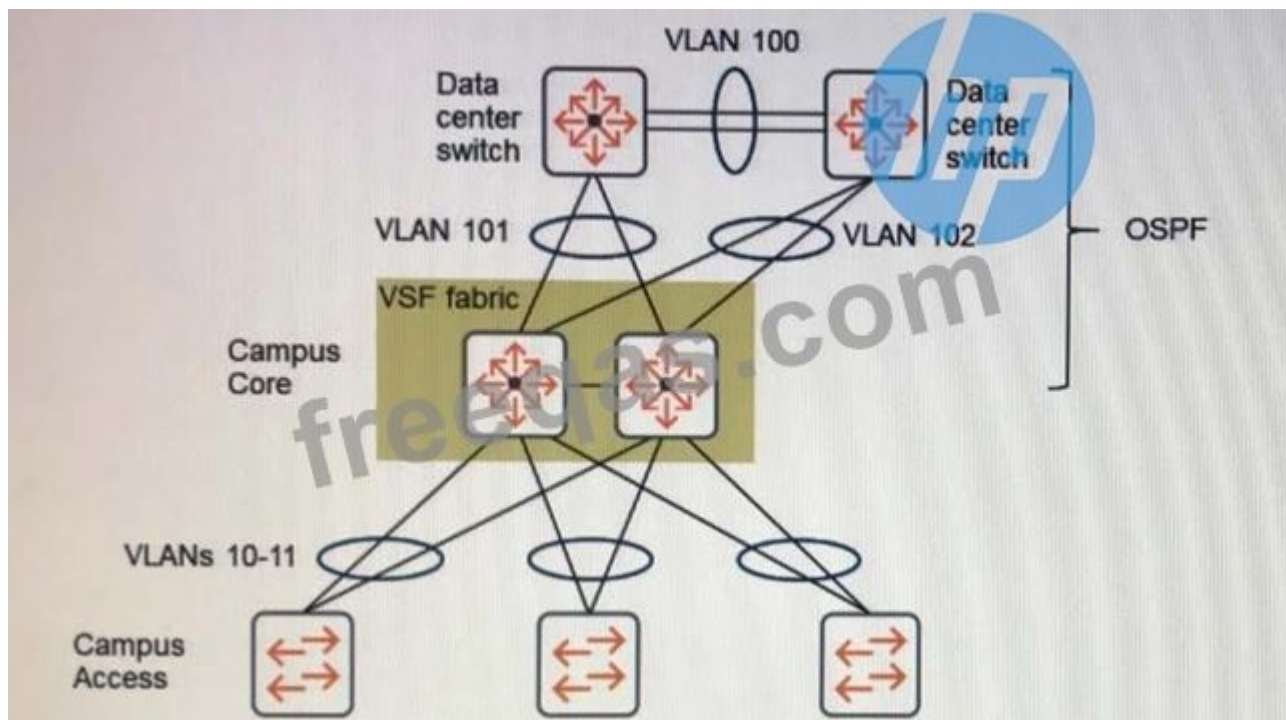
should the architect recommend?

- A. Create a backplane stack at the aggregation layer and a VSF fabric at the core.
- B. Combine all switches in the aggregation layer and core into a single backplane stack.
- C. Implement broadcast filtering on switch-to-switch links across all of the buildings.
- D. Use VRRP on the core and aggregation switches, with the aggregation switches acting as standby.

Answer: B ([LEAVE A REPLY](#))

NEW QUESTION: 61

Refer to the exhibit.



The customer requires fast failover if any one link or core device fails. Which additional technology should the architect plan on the core VSF fabric to meet these criteria?

- A. OSPF graceful restart
- B. BGP
- C. SmartLink
- D. VRRP

Answer: ([SHOW ANSWER](#))

Valid HPE6-A47 Dumps shared by PrepPdf.com for Helping Passing HPE6-A47 Exam! PrepPdf.com now offer the **newest HPE6-A47 exam dumps**, the PrepPdf.com HPE6-A47 exam **questions have been updated** and **answers have been corrected** get the **newest** PrepPdf.com HPE6-A47 dumps with Test Engine here: <https://www.preppdf.com/HP/HPE6-A47-prepaway-exam-dumps.html> (67 Q&As Dumps, **40%OFF Special Discount: Exam-Tests**)

NEW QUESTION: 62

An architect has an Instant AP (IAP) cluster at a mid-sized branch office. The IAP cluster now needs to tunnel corporate traffic to a Mobility Controller (MC) at the main office. However, the branch office should remain functional even if the link to the main office fails. Users at the branch office require access to main office resources, but do not require multicast services.

What is the recommended DHCP mode?

- A. Distributed L2
- B. Centralized L2
- C. Distributed L3
- D. Local

Answer: C ([LEAVE A REPLY](#))

NEW QUESTION: 63

An architect plans to purpose two Aruba Mobility Controllers (MCs) in a cluster. The customer has a large building that needs to support about 10,000 devices. The architect plans to associate the Employees WLAN with VLAN ID 10.

What is one Aruba best practice for this design?

- A. Ensure that VLAN 10 is extended to the edge and Aruba APs are deployed on it.
- B. Ensure that the RADIUS server assigns users to different VLANs dynamically.
- C. Ensure that each user role on the MCs is associated with a different VLAN ID.
- D. Ensure that optimization and suppression of unnecessary multicast is enabled.

Answer: ([SHOW ANSWER](#))

NEW QUESTION: 64

Refer to the exhibit.

Exhibit 1 shows the logical plan, and Exhibit 2 shows the BOM created with IRIS. An architect plans to

propose two 5406Rzl switches as a VSF fabric for a campus network core. Which issue with the plan should the architect correct?

Exhibit 2

Line#	Part Number	Description	Manufacturer	Unit Price	Quantity	Total	Price List
1.00	39821A	Aruba 5406R z2 Switch	Hewlett Packard Enter...	\$2,419.00	2	\$4,838.00	USA Price List (USD)
1.01	H3MT0E	HPE 3Y FC 24x7 Aruba 5406R z2 Switc SVC [for 39821A]	Hewlett Packard Enter...	\$4,094.00	2	\$8,188.00	USA Price List (USD)
1.02	U4832E	HPE Networks 5400/8200 z1 Startup SVC [for 39821A]	Hewlett Packard Enter...	\$2,325.00	2	\$4,650.00	USA Price List (USD)
1.03	39828A	Aruba 5400R 700W PoE+ z2 PSU	Hewlett Packard Enter...	\$799.00	2	\$1,598.00	USA Price List (USD)
1.04	39828A	ABA INCLUDED: Power Cord - U.S. localization	Hewlett Packard Enter...	incl.	2		
1.05	39996A	Aruba 2p 40GbE QSFP+ v3 z2 Mod	Hewlett Packard Enter...	\$6,799.00	4	\$27,196.00	USA Price List (USD)
1.06	39538A	HPE 8-port 10GbE SFP+ v2 z1 Module	Hewlett Packard Enter...	\$4,799.00	4	\$19,196.00	USA Price List (USD)
2.00	3K234A	HPE X242 40G QSFP+ to QSFP+ 1m DAC Cable	Hewlett Packard Enter...	\$419.00	2	\$838.00	USA Price List (USD)
Quote Total						\$66,504.00	

- A. Change the power supply type.
- B. Add stacking modules and cables.
- C. Add two QSPF+ MP0 SR4 transceivers.
- D. Change the v2 modules to v3 modules.

Answer: D ([LEAVE A REPLY](#))

NEW QUESTION: 65

Fast Failover has been implemented between Local 1 and Local 2 separated by Routers. During testing Local1 was disabled and all Campus APs backed up to Local 2 flawlessly. But the RAPs did not, they all failed.

What could be the cause?

- A. RAPs are not supported by Fast Failover
- B. The RAP whitelist must be ported over to Local 2
- C. IPsec must be enabled on Local 2
- D. A VPN IP Pool must be configured on Local 2
- E. RAPs should be configured in their own AP-groups

Answer: A ([LEAVE A REPLY](#))

NEW QUESTION: 66

An architect needs to plan the RF coverage. Which application has the greatest potential impact on RF design?

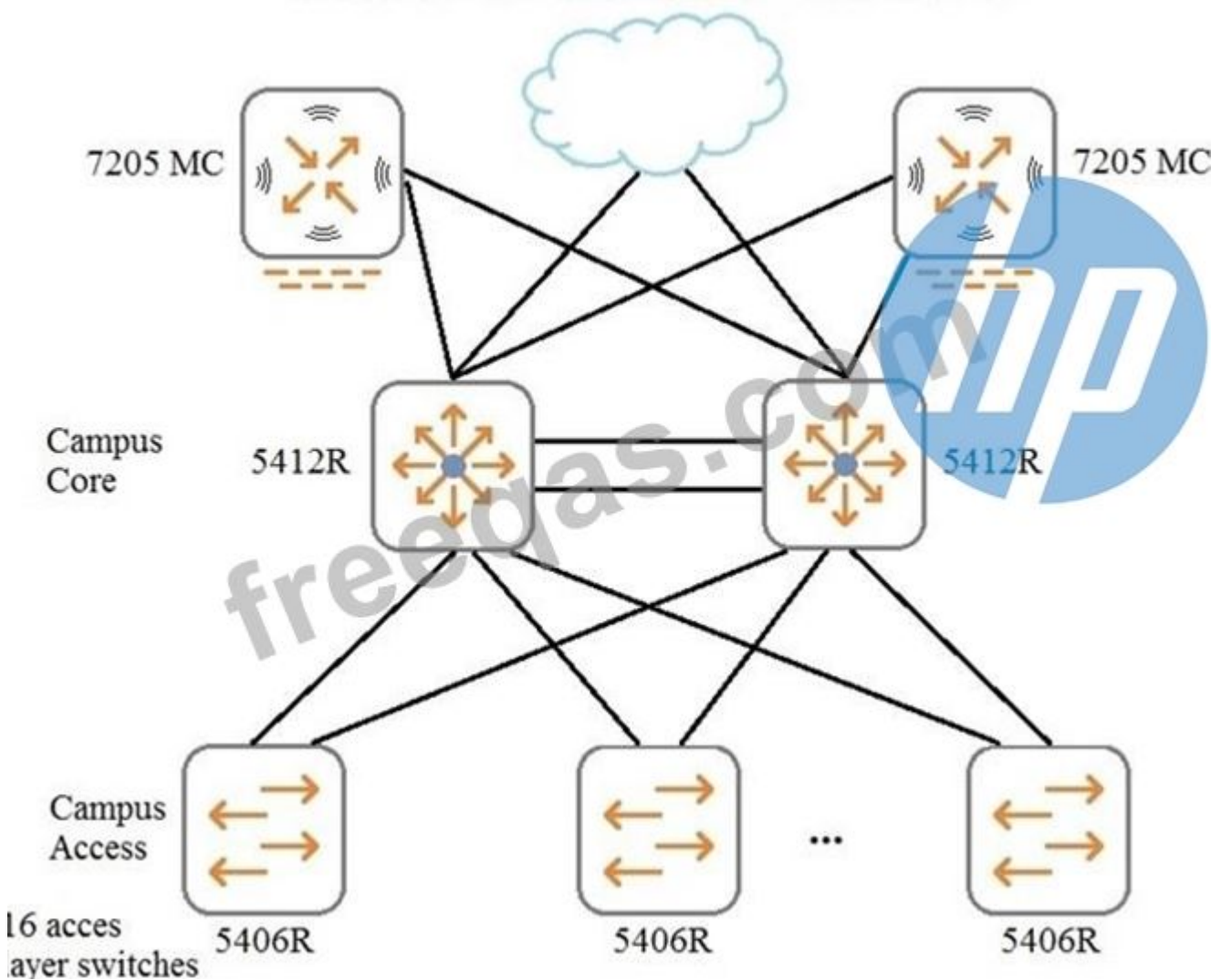
- A. email
- B. secure web browsing
- C. voice
- D. print

Answer: B (LEAVE A REPLY)

NEW QUESTION: 67

Refer to the exhibit. What is one reason for an architect to recommend the use of Virtual Switching Framework (VSF) in this network?

Services (including AirWave and MM) and Internet



- A. VSF simplifies the topology and eliminates the need for spanning tree.
- B. VSF enables administrators to manage all 18 switches as a single switch.
- C. VSF enables software-defined network monitoring in conjunction with AirWare.
- D. VSF transforms switches into virtual extensions of the MCs to simplify MST management.

Answer: A (LEAVE A REPLY)

NEW QUESTION: 68

When does a RAP's backup SSID begin broadcasting?

- A. When the controller cannot be reached with SSL
- B. When the IPsec tunnel to the controller is established.
- C. When the GRE tunnel to the controller is established.
- D. When the controller cannot be reached with PAPI
- E. When bridging is required for guest users.

Answer: D (LEAVE A REPLY)

NEW QUESTION: 69

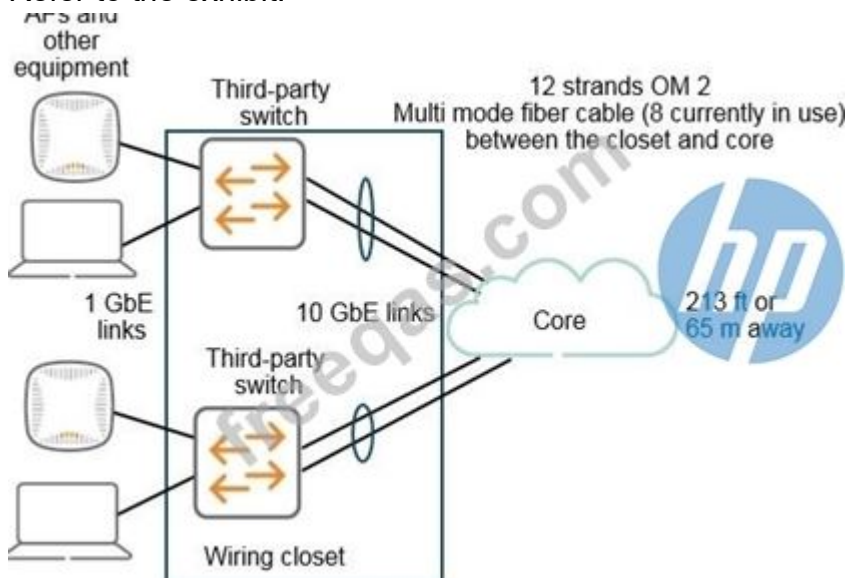
A customer currently has an Instant AP deployment. Which customer requirement would indicate that the customer needs to add a controller to the deployment?

- A. the requirement to apply role-based firewall policies
- B. the requirement for a cloud-based management solution
- C. the requirement for a captive portal for guests
- D. the requirement to provide client-to-site VPN access for remote users

Answer: (SHOW ANSWER)

NEW QUESTION: 70

Refer to the exhibit.



The exhibit shows information about a customer's existing equipment in a closet. The customer needs an upgrade for this closet.

The architect plans to:

- * Replace the switches with two Aruba 3810M switches
 - * Connect the 3810M switches in a backplane stack
 - * Upgrade the uplinks to two 40GbE links for the entire backplane stack
- What is required for this design?

- A. Upgrade the fiber to single mode or a higher grade multimode.
- B. Deploy more MM OM2 strands to make a total of 24.
- C. Use QSFP BiDi transceivers for the 40 GbE uplinks.

D. Use QSFP SR4 transceivers for the stacking connections.

Answer: ([SHOW ANSWER](#))

NEW QUESTION: 71

A customer has a small office building that needs approximately 32 APs. The solution must support basic

rogue AP detection and provide a stateful firewall with role-based policies. The customer would like the

simplest, most cost-effective deployment that meets their needs.

What should the architect recommend?

A. Aruba remote APs

B. Aruba Instant APs

C. Aruba campus APs and an Aruba 7005 Mobility Controller

D. Aruba campus APs and a Virtual Mobility Controller

Answer: C ([LEAVE A REPLY](#))

NEW QUESTION: 72

A customer has high security needs, so the network architect proposes dedicated Air Monitors (AMs).

What is one additional benefit of the AMs that the architect can explain?

A. During normal operation, the AMs can support clients, as well as detect and mitigate threats on any channel.

B. If a nearby AP fails, the AM can automatically convert to AP mode to fill in the coverage gap.

C. An AM can help in troubleshooting because it stores detailed statistics about wireless traffic locally.

D. The AMs can detect a broad range of RF interference and give administrators help in determining the source.

Answer: B ([LEAVE A REPLY](#))

Valid HPE6-A47 Dumps shared by PrepPdf.com for Helping Passing HPE6-A47 Exam! PrepPdf.com now offer the **newest HPE6-A47 exam dumps**, the PrepPdf.com HPE6-A47 exam **questions have been updated** and **answers have been corrected** get the **newest** PrepPdf.com HPE6-A47 dumps with Test Engine here: <https://www.preppdf.com/HP/HPE6-A47-prepaway-exam-dumps.html> (67 Q&As Dumps, **40%OFF Special Discount: Exam-Tests**)